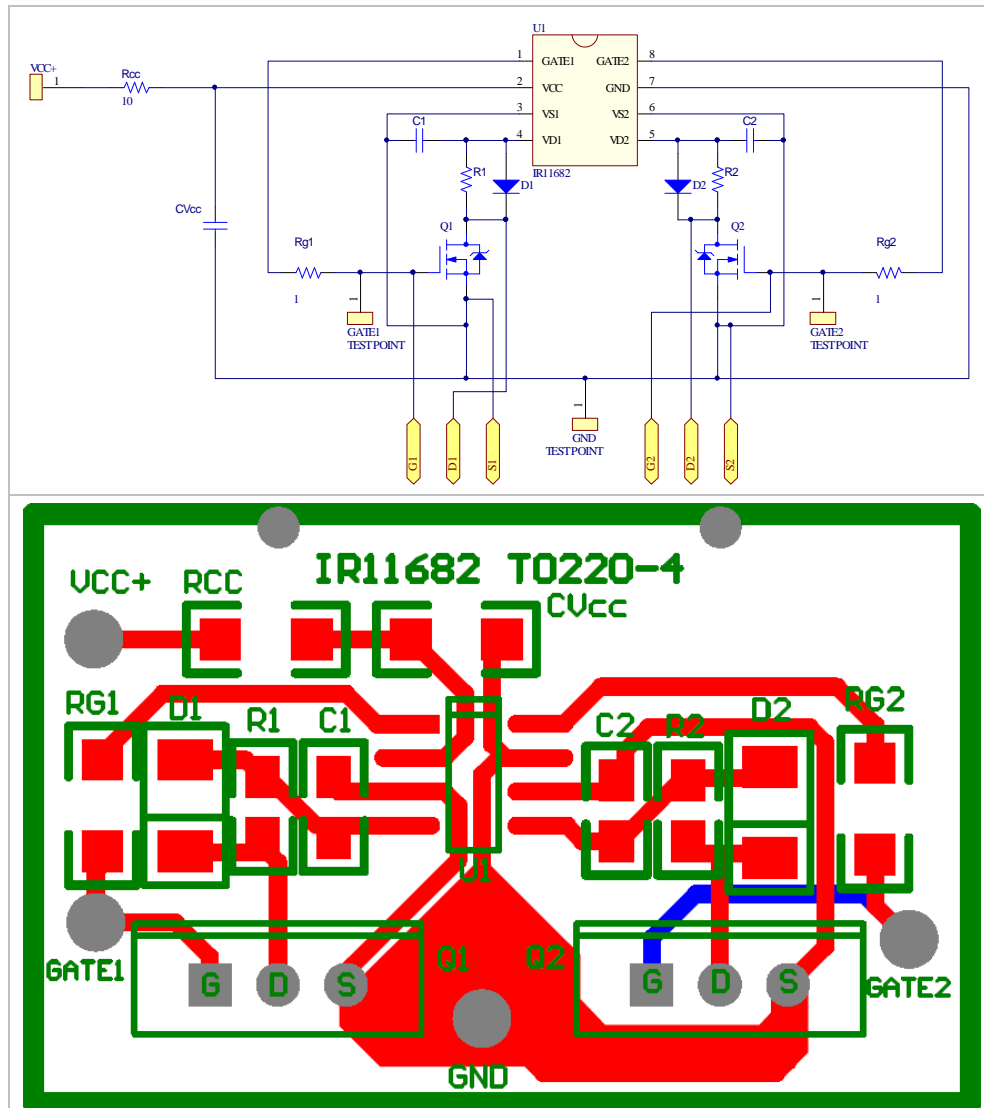


IR11682 TO220 Daughter Card

The schematic and PCB layout of the TO220 daughter board is shown below.



The daughter card shown above is designed to allow easy retrofit in existing systems with minimal system changes. The RCD network that connected to VD pin can be used to adjust the turn-on and turn-off delay of IR11682. If not used, please short R1 and R2 (0Ω) and leave C1 and C2 open.