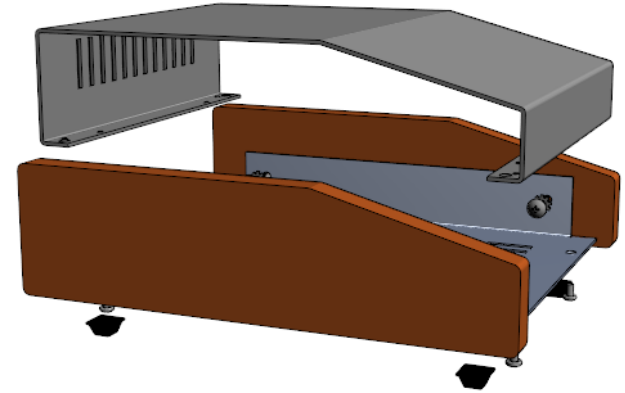
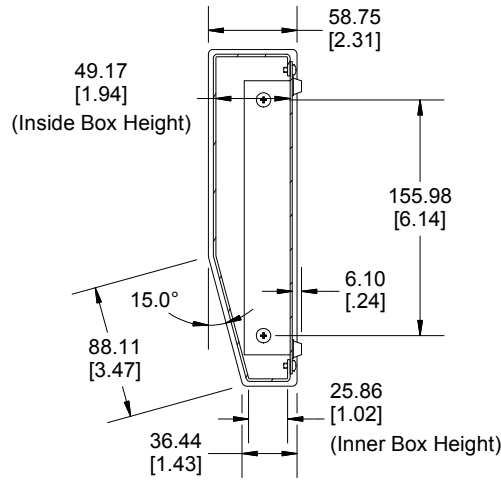
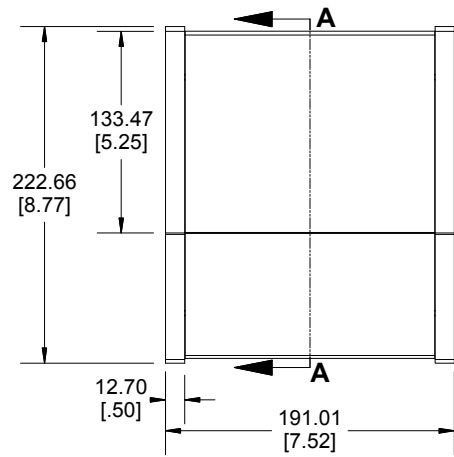
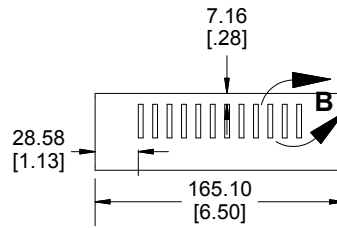
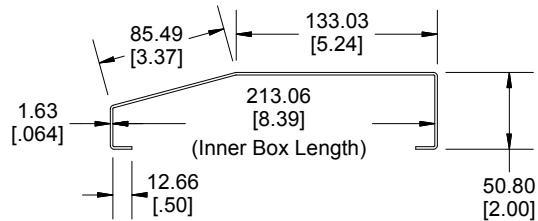


SECTION A-A
Side View of Assembly

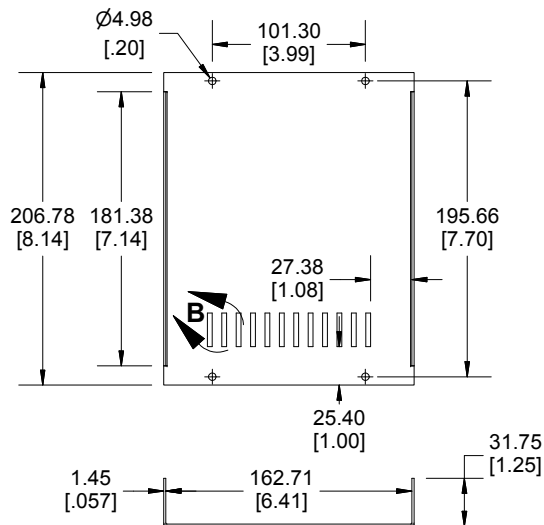
Top View of Assembly



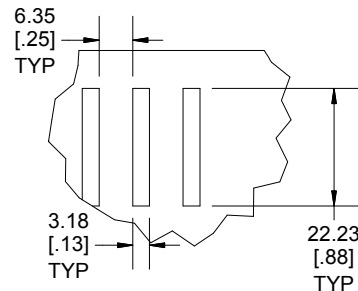
Side View of Top Panel



Top View of Case



DETAIL B



Enclosures can be Factory Modified (Milling, Drilling, Printing etc.)
Contact Factory mjm@hammondmfg.com for quotes
Solid models of this enclosure available in STEP or IGES.

NOTE

Case Includes Wooden Sides, Adhesive Rubber Feet and Required Hardware.
Enclosure Case is Made of 0.057" Steel.
Top Panel is Made of 0.064" Aluminum.

PART NUMBERS

1456FH2WHCWW Enclosure

Beige Top and Black Case

1456FH2WHCWW

ACCESSORIES

Plated Cover Screws (Pkg 6)
[6-32 x 1/4" Self-Tapping Screws]

1421J6

Black Self-Adhesive Rubber Feet (Pkg 24)

1421T3

HAMMOND MANUFACTURING™
1456FH2CWW
www.hammondmfg.com

Note
Dimensions: mm [inches]