

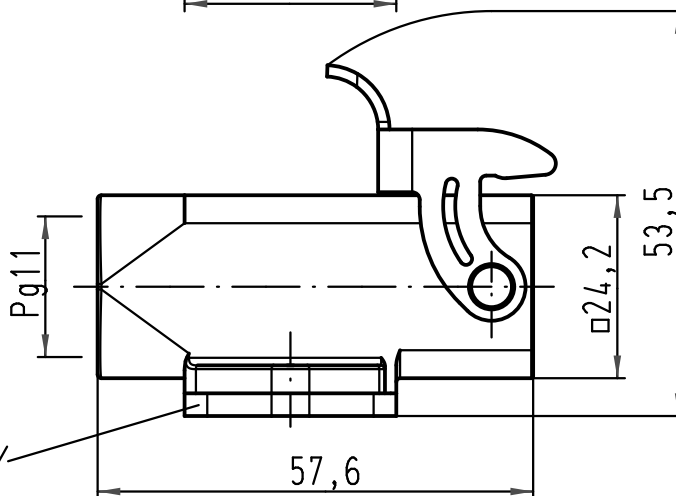
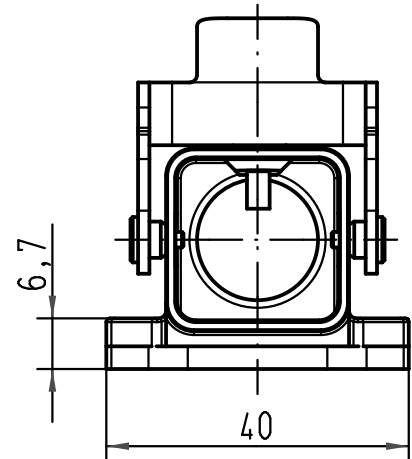
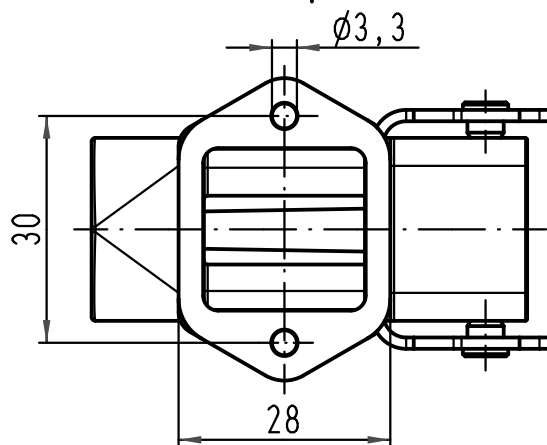
1 2 3 4 5 6

A

B

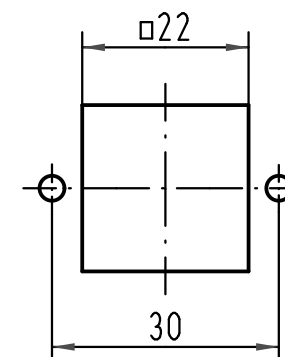
C

D

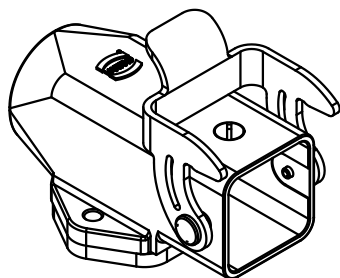


Dichtung/
gasket

Montageausschnitt/
panel cut out



Einsatzbefestigungsschraube M3x6 lose mitgeleifert
Insert fixing screw M3x6 enclosed



| | | | | | | | | |
|---|----------|------|--------------------------------|-------------|---------------|--|--|--|
| All Dimensions in mm Original Size DIN A 4 | | | Techn. Character. | | | Nicht tolerierte Maß/Free size tolerances | | |
| | | | Dat. | Name | Maßstab/Scale | Han 3M-asgw-QB-11 Sockelgehäuse / housing surface mounting | | |
| | | | Detail. | 28.08.02 DY | | | | |
| | | | Insp. | KR | | | | |
| | | | Stand. | | | | | |
| 414293 | 03.02.09 | ML | HARTING Electric GmbH & Co. KG | | | TB 09 37 003 1250 | | |
| 410188 | | | D-32339 Espelkamp | | | | | |
| Mod. | Dat. | Name | | | | Sub. Blatt/ page | | |