



Part No: CLS0301-L152

Date: 7/03/2007

Unit: mm

Description: speaker

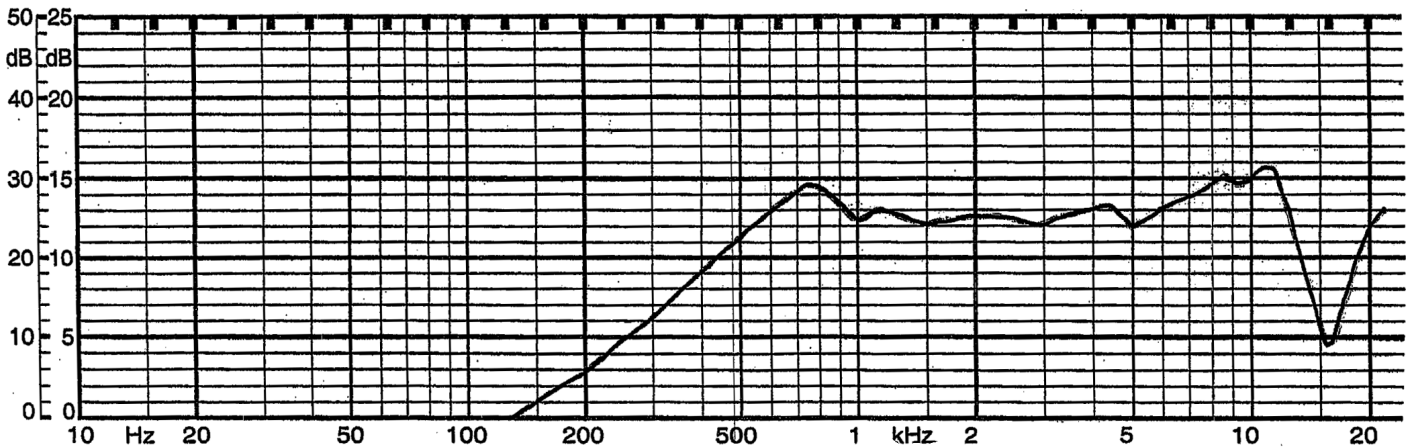
Page No: 1 of 2

### Specifications

|                      |                                      |                   |                         |
|----------------------|--------------------------------------|-------------------|-------------------------|
| Nominal Size         | 30 mm                                |                   |                         |
| Impedance            | 8 Ohm $\pm$ 15%                      | at                | 1 KHz 1 V               |
| Resonant frequency   | 550 Hz $\pm$ 110 Hz                  | at                | 1 V                     |
| Sound pressure level | 86 dB/w $\pm$ 3 dB                   | 1 w 50 cm ave. at | 0.8K, 1K, 1.2K, 1.5K Hz |
| Response             | Fo Hz ~ 20 KHz max 10 dB             |                   |                         |
| Input power          | Nominal 1 W                          | Handling capacity | 2 W                     |
| Operation            | must be normal at program source 1 W |                   |                         |
| Buzz, rattle, etc.   | must be normal at sine wave 2.83 V   |                   |                         |
| Magnet               | Size: 12.5 x 1.5 mm                  |                   |                         |
| Load test            | White noise 1 W                      | for               | 24 hours                |
| Heat test            | 70 $\pm$ 2° C                        | 20-50% R.H.       | 24 hours                |
| Humidity test        | 40 $\pm$ 2° C                        | 90-95% R.H.       | 24 hours                |

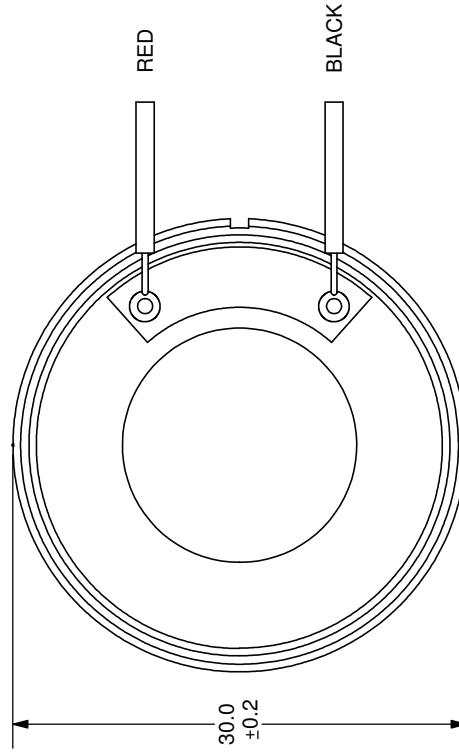
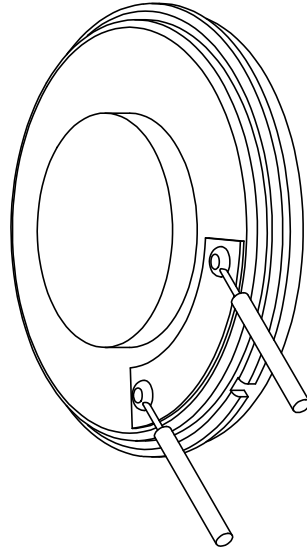
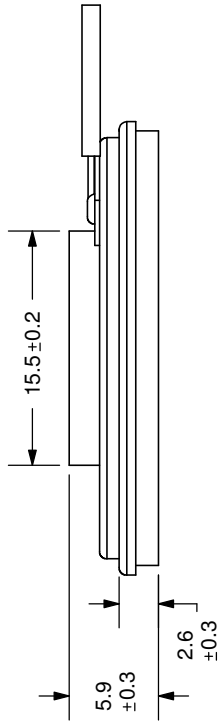
### Frequency Response Curve

|                       |            |
|-----------------------|------------|
| Potentiometer range   | 50 dB      |
| Rectifier             | RMS        |
| Lower limit frequency | 20 Hz      |
| Wr. speed             | 100 mm/sec |



Zero level 60 dB

|      |             |          |
|------|-------------|----------|
| REV. | DESCRIPTION | DATE     |
| A    | NEW DRAWING | 7/3/2007 |



SPECIFICATIONS:  
 WIRE: UL1007, #28AWG  
 LENGTH: 152mm

TOLERANCE:  
 ±0.5mm UNLESS OTHERWISE SPECIFIED



**CUI INC**

20050 SW 112th Ave.  
 Tualatin, OR 97062  
 Phone: 503-612-2300  
 800-275-4899  
 Fax: 503-612-2383  
 Website: www.cui.com

|                            |                    |
|----------------------------|--------------------|
| TITLE: LOW PROFILE SPEAKER | REV: A             |
| PART NO: CLS0301-L152      | UNITS: MM [INCHES] |
| DRAWN BY: ZRJ              | APPROVED BY:       |
|                            | SCALE: 2:1         |