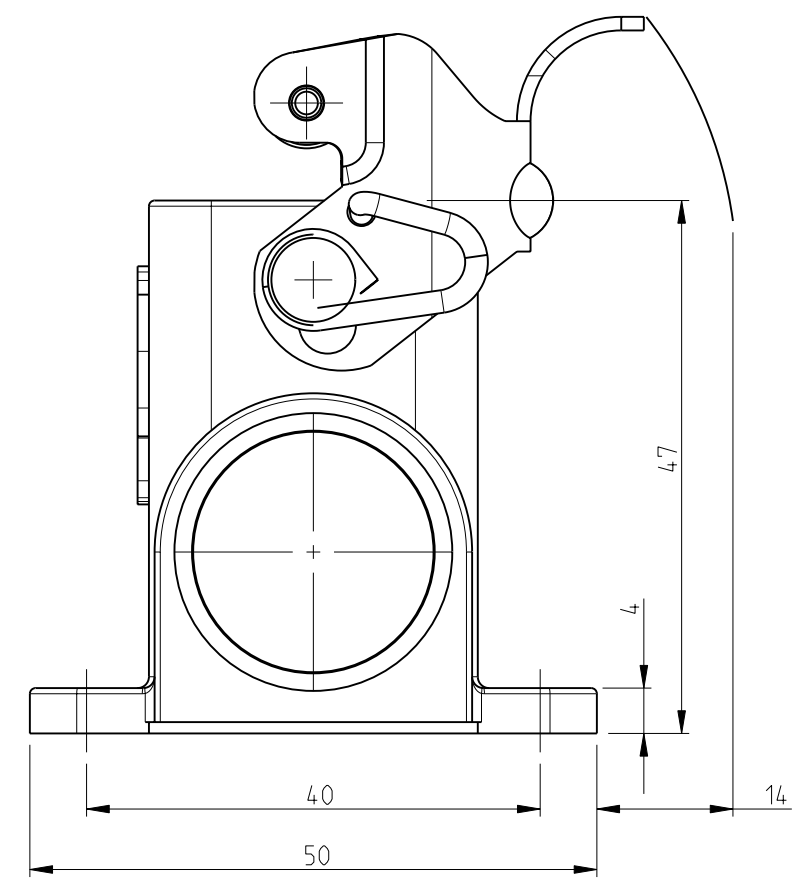
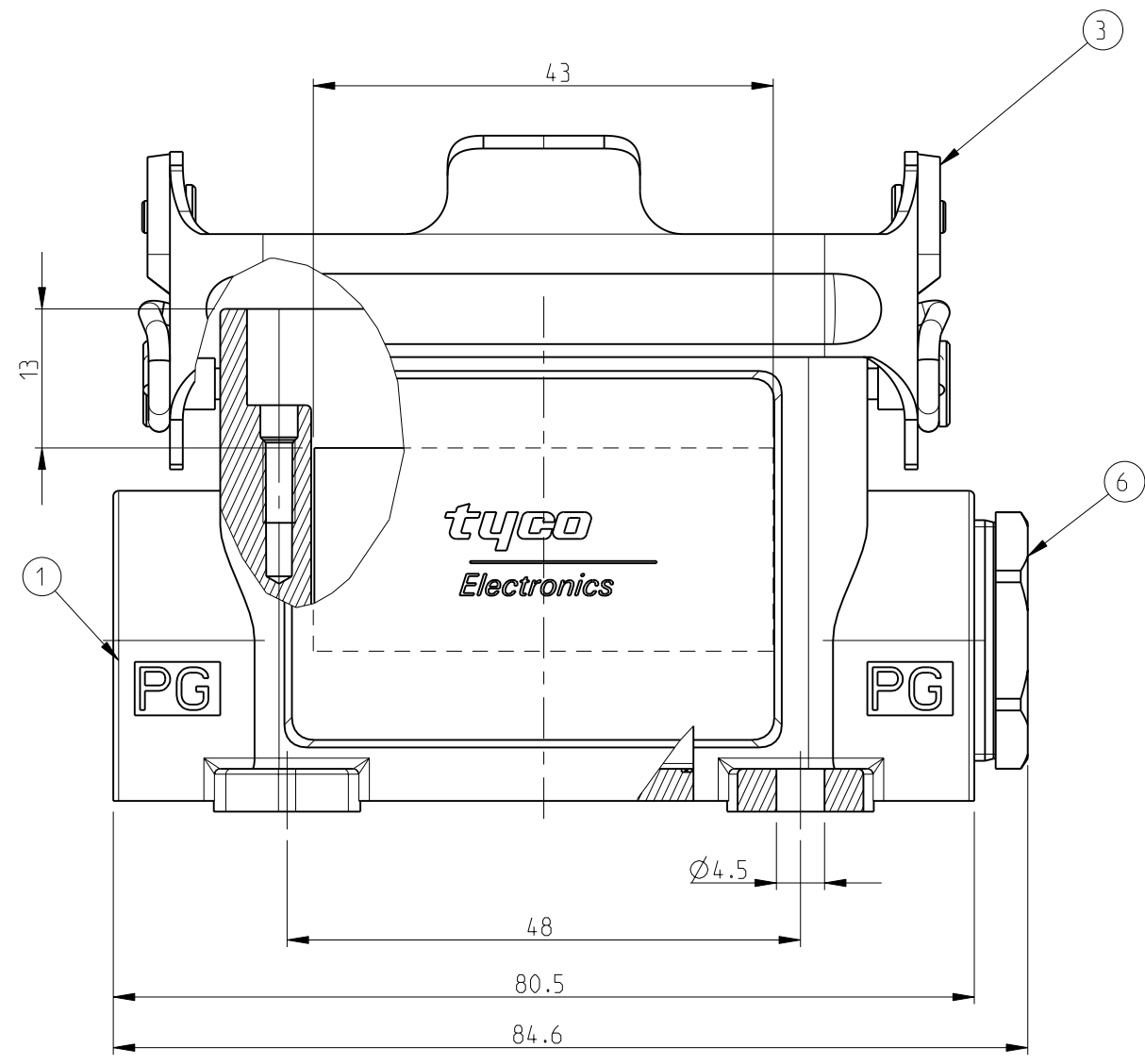


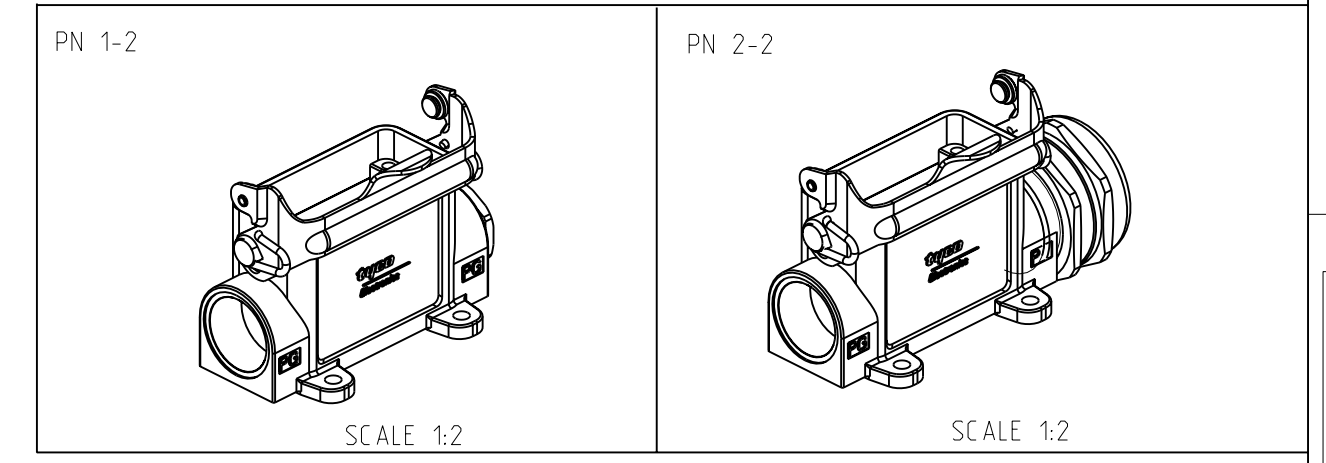
THIS DRAWING IS UNPUBLISHED. RELEASED FOR PUBLICATION 2000
 © COPYRIGHT 2000 BY TYCO ELECTRONICS CORPORATION. ALL RIGHTS RESERVED.

PN 1-2

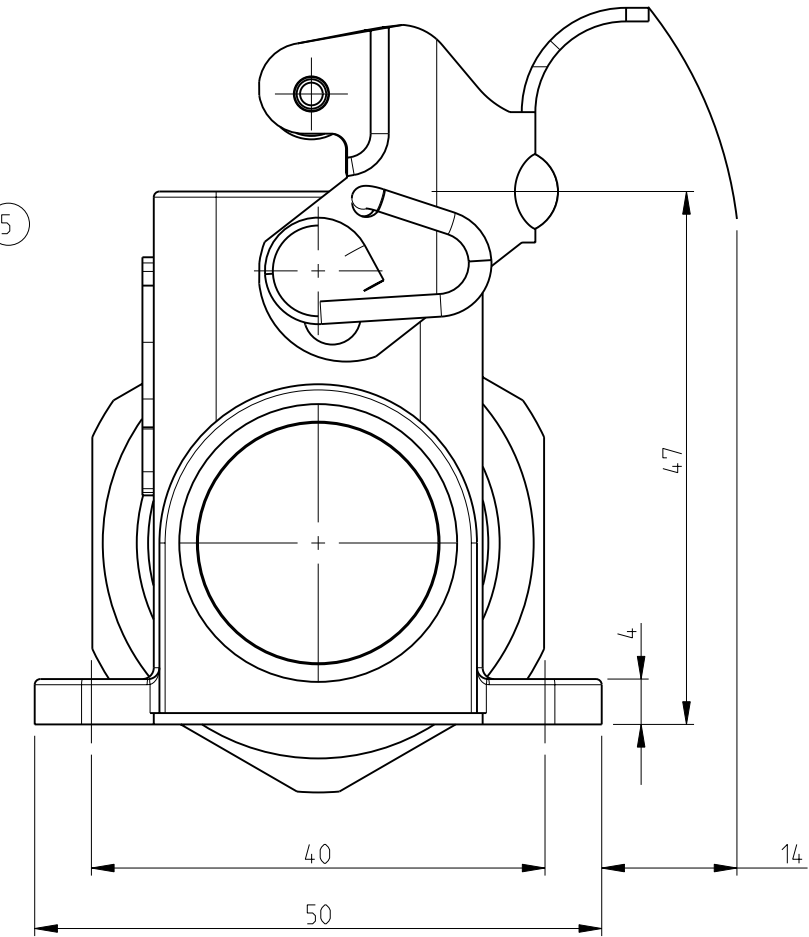
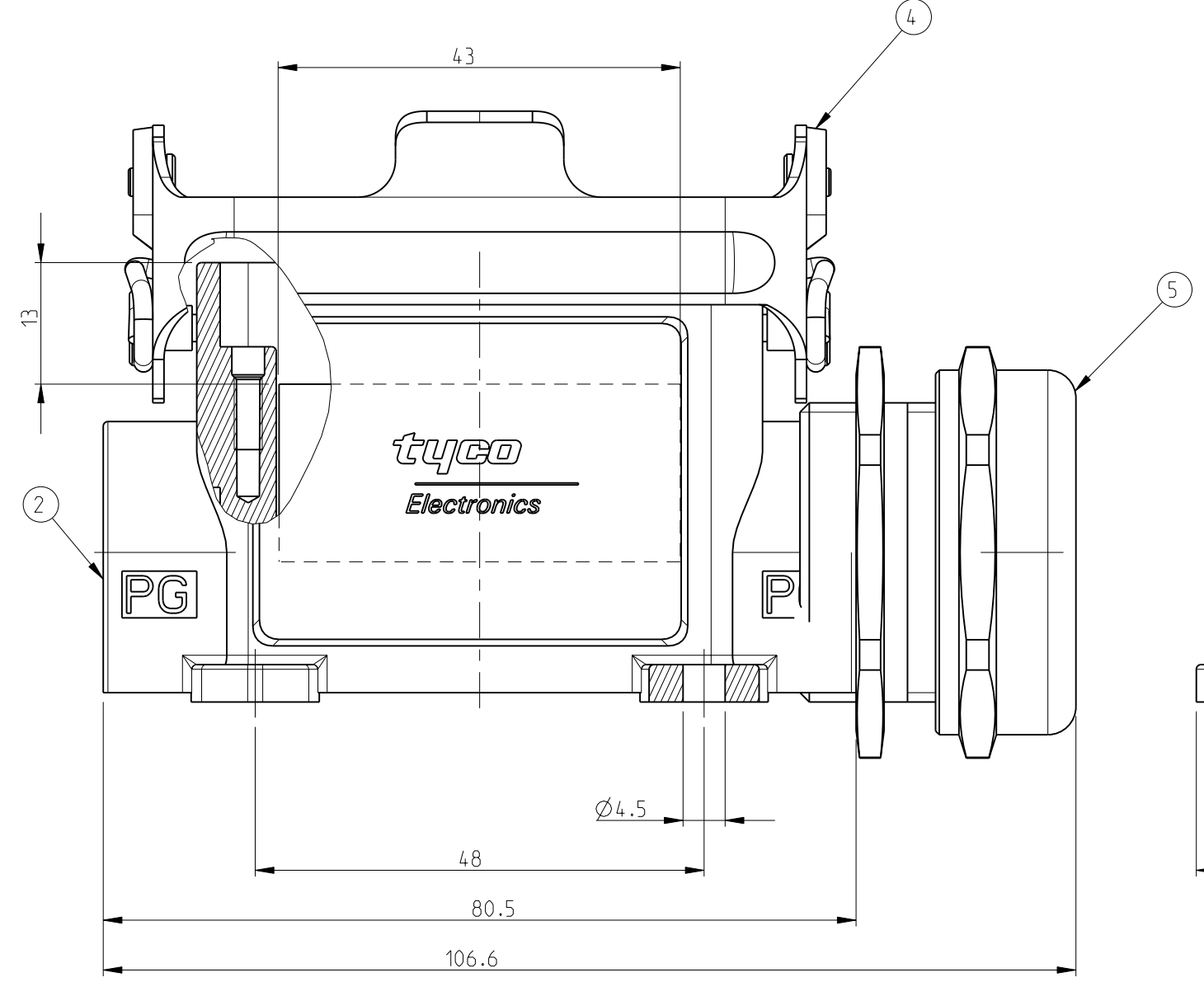


LOC	DIST	REVISIONS				
P	LTR	DESCRIPTION	DATE	DWN	APVD	
A1	-	B2	RELEASED AS PER ECR-09-005170	05.MAR.2009	GG	TS

- NOTES
- 1 PACKAGING QUANTITY:5 PIECES PER BOX
 - 2 MATERIAL:HOUSING:ALUMINIUM DIECASTING ALLOY
SEALS:NEOPRENE
 - 3 SURFACE:VARNISH-GREY
 - 4 VARNISH ON THE INSIDE NOT NECESSARILY



PN 2-2



QTY	DESCRIPTION	MATERIAL	SURFACE	COLOR	ITEM NO	REMARKS
- 1	CABLE FITTING	BRASS	NICKEL PLATED	BLUE	6	-
1	GLAND FITTING	BRASS	NICKEL PLATED	BLUE	5	-
1	CLIP	STAINLES STEEL	BLANK	-	4	-
- 1	CLIP	STEEL	ZINC PLATED	BLUE	3	-
1	SURFACE MOUNTED HOUSING	ALUMINIUM	ALUMINIUM OXIDE	BLACK	2	-
- 1	SURFACE MOUNTED HOUSING	ALUMINIUM	-	GREY	1	-
2-2	DESCRIPTION	MATERIAL	SURFACE	COLOR	ITEM NO	REMARKS
HA.10.SG-LB.1.16						
HA-K.10.SG-LB.1.16						

THIS DRAWING IS A CONTROLLED DOCUMENT FOR TYCO ELECTRONICS CORPORATION IT IS SUBJECT TO CHANGE AND THE CONTROLLING ENGINEERING ORGANIZATION SHOULD BE CONTACTED FOR THE LATEST REVISION.

DWN: S.KUMAR 02.24.2006
 CHK: R.SRINIVAS 02.24.2006
 APVD: T.SCHNURPFITZ 02.24.2006

Tyco Electronics Tyco Electronics, AMP.GmbH
 53757 Sankt Augustin, Germany

NAME: SURFACE MOUNTED HOUSING-SIDE ENTRY
 HA.10.SG-LB.1.16

SIZE: A2 CAGE CODE: 00779 DRAWING NO: 1102123 RESTRICTED TO: -

MATERIAL: ALUMINIUM FINISH: VARNISH-GREY

WEIGHT: -

CUSTOMER DRAWING SCALE: 5:1 SHEET 1 OF 1 REV: B2