

(ENDWALL VERSION SHOWN)

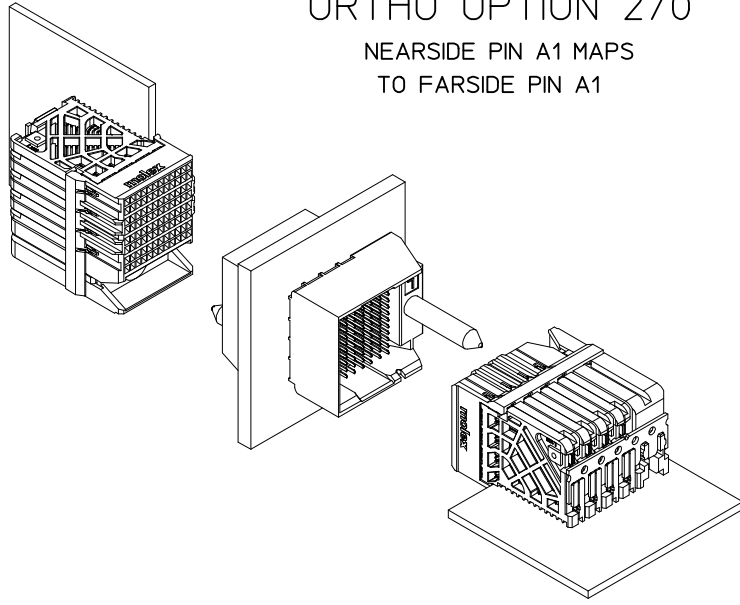
NOTES:

1. MATERIALS: HOUSING - LIQUID CRYSTAL POLYMER (LCP)
GLASS-FILLED, UL94V-0
TERMINALS - HIGH PERFORMANCE COPPER ALLOY
2. FINISH: 30μ MIN GOLD IN CONTACT AREA.
SELECTIVE TIN OR TIN-LEAD ON PCB TAILS.
NICKEL OVERALL.
3. REFER TO MOLEX PRODUCT SPECIFICATION PS-76060-999
FOR PERFORMANCE SPECIFICATIONS AND ADDITIONAL PCB INFORMATION.
4. THIS PART CONFORMS TO CLASS B REQUIREMENTS OF
COSMETIC SPEC PS-45499-002.
5. PRODUCT IS PACKAGED PER PK-70873-763.
6. SEE SHEETS 2 AND 3 FOR PART NUMBERS AND ORTHOGONAL PIN MAPPING.
7. REFER TO MOLEX SALES DRAWING SD-76860-002 FOR THE MATING RECEPTACLES.
8. THE KEEP-OUT ZONE FOR THE PART LENGTH INCLUDES AN ADDITIONAL 1.0mm
TO ACCOMMODATE FOR SPACE REQUIRED BY THE DAUGHTERCARD ASSEMBLY.
9. REFER TO MOLEX ROUTING GUIDE AS-76850-990 FOR ADDITIONAL PCB LAYOUT
AND ROUTING RECOMMENDATIONS.
10. CONNECTORS ARE SUPPLIED WITH A 2-56 UNC-2A SCREW.
- 11.*THESE DIMENSIONS REPRESENT THE AREA NEEDED TO ACCOMODATE CONNECTOR
INSERTION AND REPAIR ON THE PC BOARD. THIS DOES NOT REPRESENT
THE ACTUAL PERIMETER OF THE CONNECTOR.*

UPDATED VIEWS EC NO: UCP2014-2698 DRWNR:RIZV101 2013/04/01 CHKD: APPR:TELO 2015/03/24 REV:	QUALITY SYMBOLS ▽=0 ▽=0 ▽=0	GENERAL TOLERANCES (UNLESS SPECIFIED)		DIMENSION STYLE MM ONLY	SCALE 4:1	DESIGN UNITS METRIC	THIRD ANGLE PROJECTION
		4 PLACES ± --- ± --- 3 PLACES ± --- ± --- 2 PLACES ± 0.13 ± --- 1 PLACE ± 0.25 ± --- 0 PLACE ± ±	mm INCH	DRAWN BY JLAURX DATE 5/6/09	CHECKED BY JMENDOZA DATE 2010/01/13	TITLE IMPACT 3 PAIR HEADER ORTHOGONAL ASSEMBLY GUIDE LEFT SALES DWG	
DRAFT WHERE APPLICABLE MUST REMAIN WITHIN DIMENSIONS		ANGULAR ±1/2°		MATERIAL NO. SEE CHART	DOCUMENT NO. SD-76855-002	SHEET NO. 1 OF 3	
THIS DRAWING CONTAINS INFORMATION THAT IS PROPRIETARY TO MOLEX INCORPORATED AND SHOULD NOT BE USED WITHOUT WRITTEN PERMISSION							

ORTHO OPTION 270

NEAR SIDE PIN A1 MAPS
TO FAR SIDE PIN A1



MATERIAL NUMBER	# OF COLUMNS	# OF DIFF PAIR	MODULE TYPE	DIM A	DIM B	DIM C
76855-*60*	6	18	NO ENDWALL	18.9	10.00	10.40
76855-*60*	6	18	WITH ENDWALL	20.3	10.00	10.40
76855-*80*	8	24	NO ENDWALL	22.9	14.05	14.45
76855-*80*	8	24	WITH ENDWALL	24.3	14.05	14.45

76855-*x0*

MODULE & TAIL PLATING TYPE PIN LENGTH (P)

2 = GUIDE LEFT NO ENDWALL, TIN/LEAD 4 = 4.90 (0.46 PTH)

3 = GUIDE LEFT NO ENDWALL, TIN 5 = 5.50 (0.46 PTH)

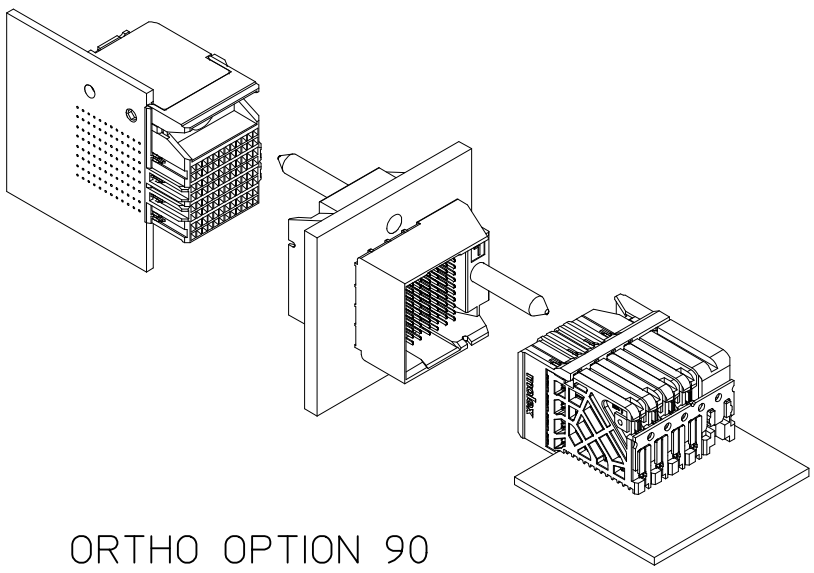
6 = GUIDE LEFT ENDWALL, TIN/LEAD 7 = 4.90 (0.39 PTH)

7 = GUIDE LEFT ENDWALL, TIN 8 = 5.50 (0.39 PTH)

OF COLUMNS

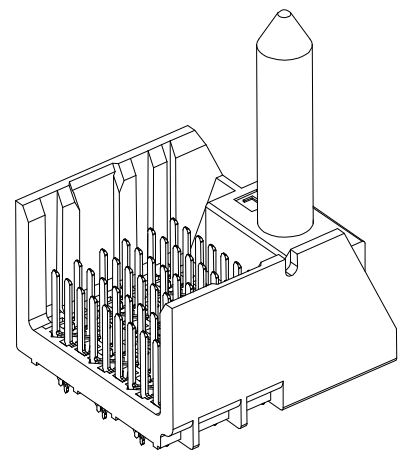
6 = 6 COLUMNS

8 = 8 COLUMNS



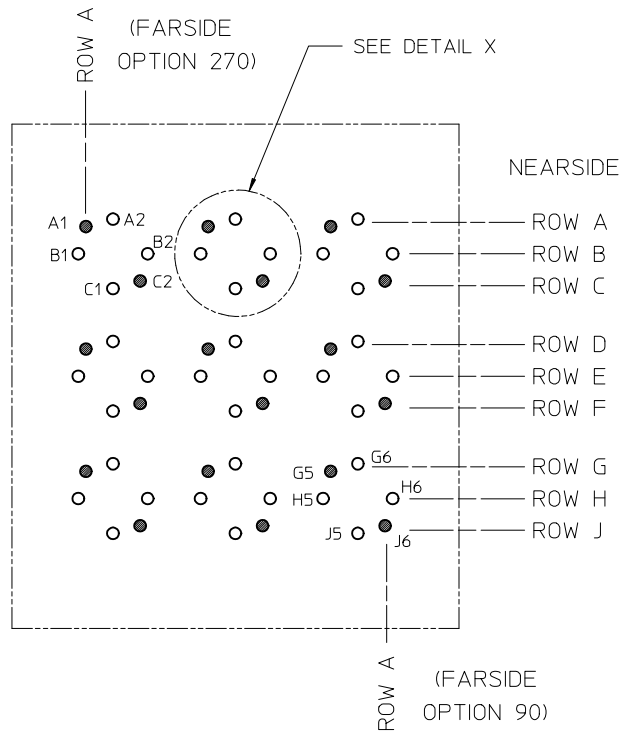
ORTHO OPTION 90

NEAR SIDE PIN A1 MAPS
TO FAR SIDE PIN J6
(FOR SQUARE PATTERN)

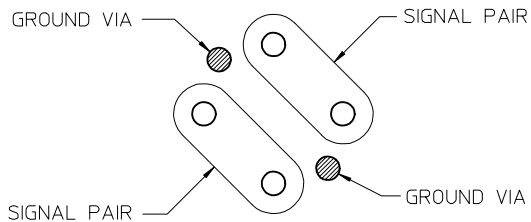


OPEN END OPTION

SEE SHEET 1 EC NO: UCP2014-2698 DRW: RIZV101 2013/04/01 CHKD: APPR: TELO 2015/03/24	QUALITY SYMBOLS ▽=0 ▽=0 ▽=0	GENERAL TOLERANCES (UNLESS SPECIFIED) mm INCH 4 PLACES ± --- ± --- 3 PLACES ± --- ± --- 2 PLACES ± 0.13 ± --- 1 PLACE ± 0.25 ± --- 0 PLACE ± ±	DIMENSION STYLE MM ONLY DRAWN BY: JLAURX DATE: 5/6/09 CHECKED BY: JMENDOZA DATE: 2010/01/13 APPROVED BY: JBLINGHAM DATE: 2010/01/14	SCALE 4:1	DESIGN UNITS METRIC	THIRD ANGLE PROJECTION
	DRAFT WHERE APPLICABLE MUST REMAIN WITHIN DIMENSIONS		MATERIAL NO. SEE CHART	DOCUMENT NO. SD-76855-002	SHEET NO. 2 OF 3	
	THIS DRAWING CONTAINS INFORMATION THAT IS PROPRIETARY TO MOLEX INCORPORATED AND SHOULD NOT BE USED WITHOUT WRITTEN PERMISSION					
	molex					
	IMPACT 3 PAIR HEADER ORTHOGONAL ASSEMBLY GUIDE LEFT SALES DWG					



MIDPLANE PCB LAYOUT



DETAIL X
SCALE 16:1

ORTHO PIN MAPPING					
OPTION 270 (NEARSIDE - FARSIDE)					
(A1-A1)	A2-B1	(A3-D1)	A4-E1	(A5-G1)	A6-H1
B1-A2	B2-C1	B3-D2	B4-F1	B5-G2	B6-J1
C1-B2	(C2-C2)	C3-E2	(C4-F2)	C5-H2	(C6-J2)
(D1-A3)	D2-B3	(D3-D3)	D4-E3	(D5-G3)	D6-H3
E1-A4	E2-C3	E3-D4	E4-F3	E5-G4	E6-J3
F1-B4	(F2-C4)	F3-E4	(F4-F4)	F5-H4	(F6-J4)
(G1-A5)	G2-B5	(G3-D5)	G4-E5	(G5-G5)	G6-H5
H1-A6	H2-C5	H3-D6	H4-F5	H5-G6	H6-J5
J1-B6	(J2-C6)	J3-E6	(J4-F6)	J5-H6	(J6-J6)

ORTHO PIN MAPPING					
OPTION 90 (NEARSIDE - FARSIDE)					
(A1-J6)	A2-H6	(A3-F6)	A4-E6	(A5-C6)	A6-B6
B1-J5	B2-G6	B3-F5	B4-D6	B5-C5	B6-A6
C1-H5	(C2-G5)	C3-E5	(C4-D5)	C5-B5	(C6-A5)
(D1-J4)	D2-H4	(D3-F4)	D4-E4	(D5-C4)	D6-B4
E1-J3	E2-G4	E3-F3	E4-D4	E5-C3	E6-A4
F1-H3	(F2-G3)	F3-E3	(F4-D3)	F5-B3	(F6-A3)
(G1-J2)	G2-H2	(G3-F2)	G4-E2	(G5-C2)	G6-B2
H1-J1	H2-G2	H3-F1	H4-D2	H5-C1	H6-A2
J1-H1	(J2-G1)	J3-E1	(J4-D1)	J5-B1	(J6-A1)

NOTE: PINOUTS SHOWN IN BALLOONS ARE GROUNDS.
PINOUTS SHOWN ARE FOR SQUARE (6 COLUMN) PATTERN ONLY.

SEE SHEET 1 EC NO: UCP2014-2698 DRW: RIZV101 2013/04/01 CHKD: APPR: TELO 2015/03/24	QUALITY SYMBOLS	GENERAL TOLERANCES (UNLESS SPECIFIED)	DIMENSION STYLE MM ONLY	SCALE 8:1	DESIGN UNITS METRIC	THIRD ANGLE PROJECTION
	▽=0	mm INCH	DRAWN BY DATE JLAURX 5/6/09	TITLE IMPACT 3 PAIR HEADER ORTHOGONAL ASSEMBLY GUIDE LEFT SALES DWG	molex DOCUMENT NO. SD-76855-002 SHEET NO. 3 OF 3	
	▽=0	4 PLACES ± --- ± --- 3 PLACES ± --- ± --- 2 PLACES ± 0.13 ± --- 1 PLACE ± 0.25 ± --- 0 PLACE ± ±	CHECKED BY DATE JMENDOZA 2010/01/13			
	▽=0	ANGULAR ±1/2°	APPROVED BY DATE JB INGHAM 2010/01/14	MATERIAL NO.		
REV	DESCRIPTION	DRAFT WHERE APPLICABLE MUST REMAIN WITHIN DIMENSIONS	SIZE C	THIS DRAWING CONTAINS INFORMATION THAT IS PROPRIETARY TO MOLEX INCORPORATED AND SHOULD NOT BE USED WITHOUT WRITTEN PERMISSION		