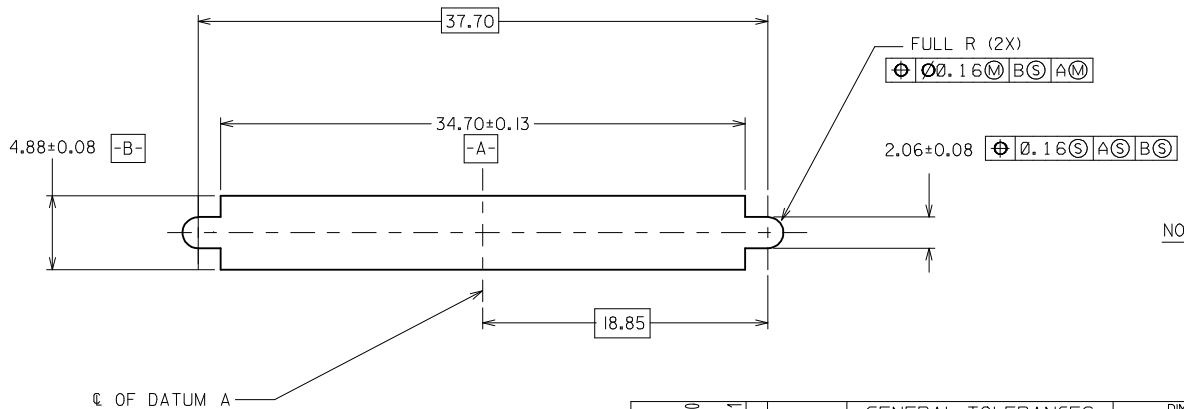
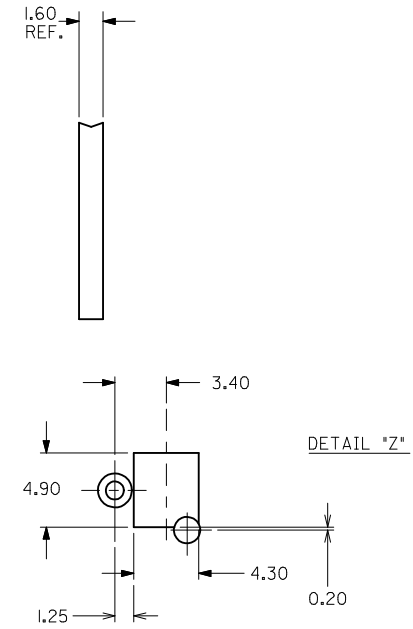
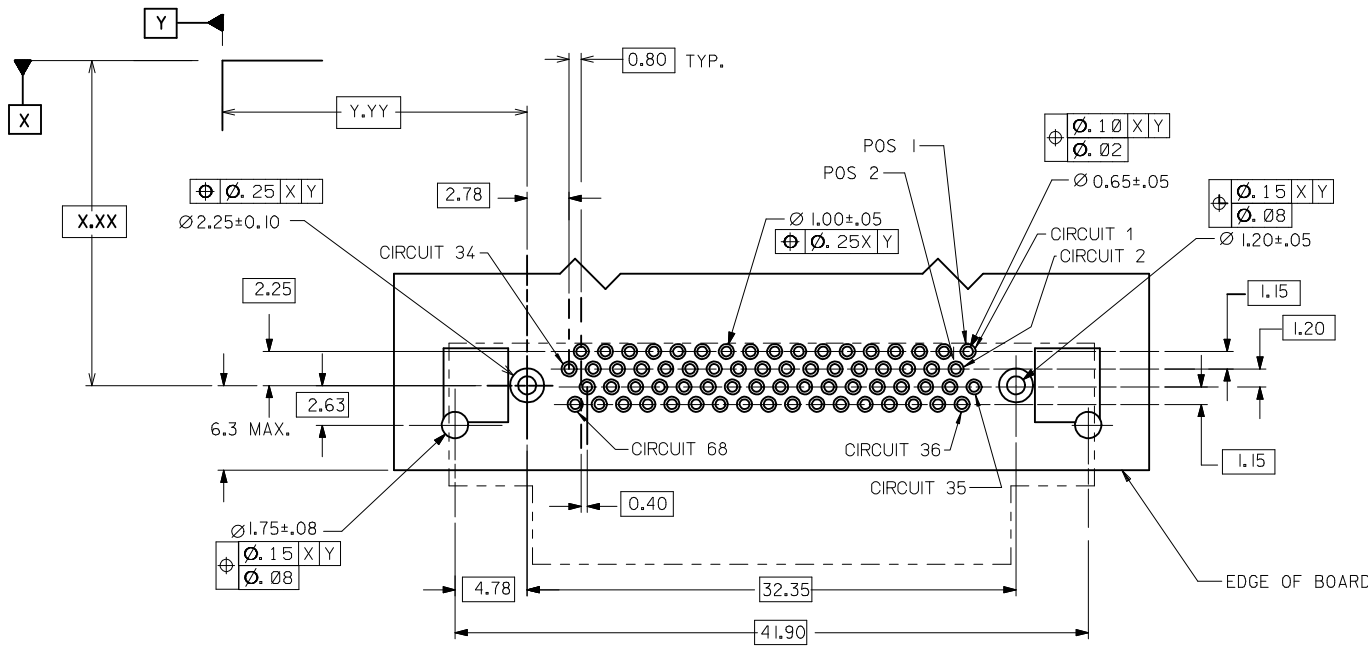


NOTES:

- MATERIALS:**
HOUSING: LIQUID CRYSTAL POLYMER (LCP), COLOR: BLACK, UL 94V-0
TERMINAL: COPPER ALLOY
SHIELD: STEEL
TAIL ALIGNER: LIQUID CRYSTAL POLYMER, COLOR: BLACK, UL 94V-0
- FINISH:**
TERMINAL: 0.76 MICROMETER GOLD IN THE CONTACT AREA
1.87 MICROMETER MINIMUM TIN IN THE SOLDER TAIL AREA
NICKEL UNDERPLATE OVERALL
SHIELD: 3.81 MICROMETERS MINIMUM BRIGHT TIN OVER 1.27 MICROMETERS MINIMUM NICKEL OVER COPPER FLASH (OPTIONAL).
- APPLICABLE PRODUCT SPEC: PSX-71425-9999.
- PRODUCT PACKAGED PER PK-70873-0823
- RECOMMENDED PCB THICKNESS: 1.60±0.15 MM
- APPLICABLE STANDARDS: EIA-3652 AND SFF-8441.
- DATE CODE : YR/WK, PER EIA-476-A.
- TORQUE TO INSTALL SCREWLOCKS INTO THREADED INSERTS: 0.34 Nm MAXIMUM.
- THE PRIMARY SHIPPING CARTON WILL BE LABELED "COMPLIANT TO ROHS DIRECTIVE 2002/95/EC AND ELV ANNEX II OF DIRECTIVE 2000/53/EC". CARTONS WITHOUT THIS LABEL MAY CONTAIN PRODUCT WITH LEAD.

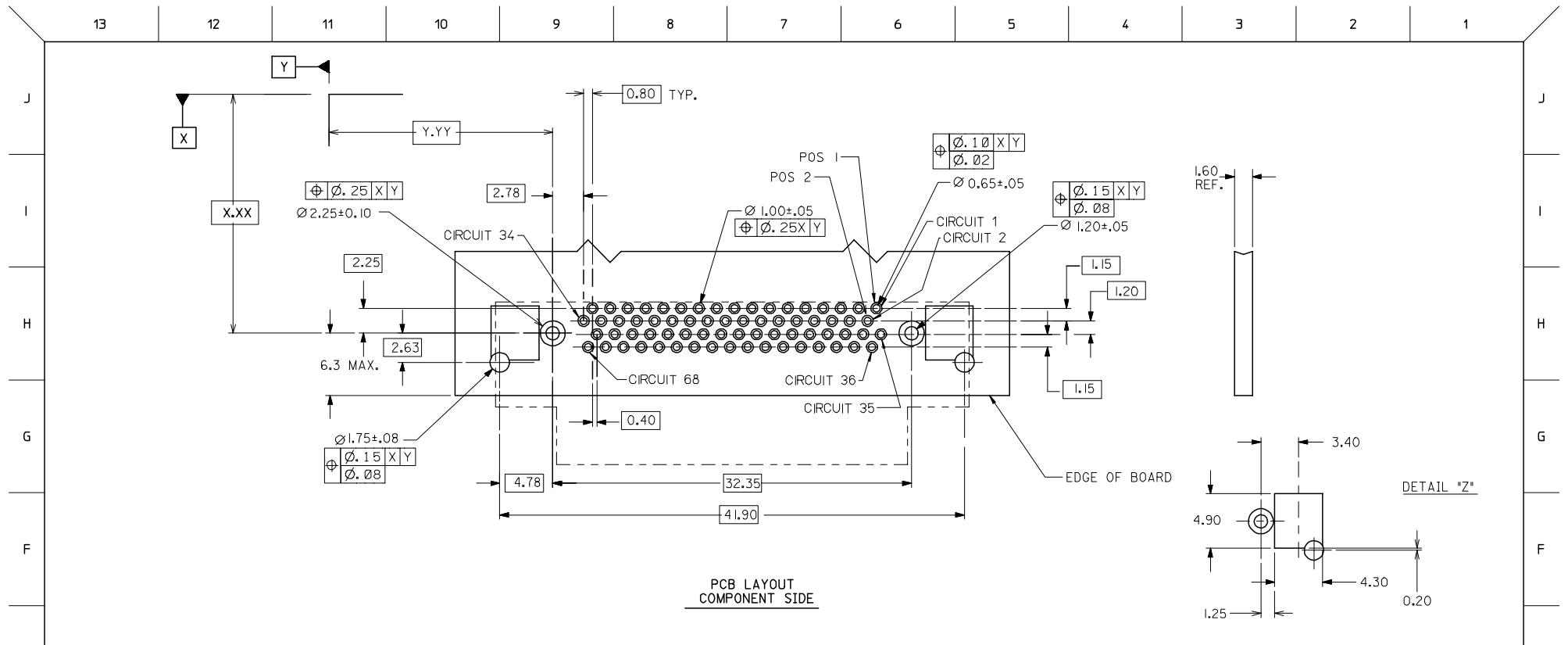
MATERIAL NUMBER	TAIL LENGTH *T*
71430-0050	2.71

NEW CAD FORMAT EC NO: UCP2012-3896 DRWN:BBARKER 2012/08/30 CHKD:HWOLFE APPR:SMILLER 2012/08/31	DESCRIPTION QUALITY SYMBOLS ▽=0 ▽=0 ▽=0	GENERAL TOLERANCES (UNLESS SPECIFIED)		DIMENSION STYLE MM ONLY	SCALE DESIGN UNITS INCH	THIRD ANGLE PROJECTION
		mm INCH	DRAWN BY BBARKER	DATE 10/29/2002	TITLE SALES ASSY VHDCI 0.8MM PITCH 68 CKT RIGHT ANGLE RECP T W/ ENHANCED SHIELD	
		4 PLACES ± --- ± --- 3 PLACES ± --- ± --- 2 PLACES ± 0.25 ± --- 1 PLACE ± --- ± --- 0 PLACE ± --- ± ---	CHECKED BY DMORGAN	DATE 10/29/2002	APPROVED BY SMILLER	DATE 2012/08/31
		ANGULAR ±1/2°		MATERIAL NO. SEE TABLE		DOCUMENT NO. SD-71430-001
DRAFT WHERE APPLICABLE MUST REMAIN WITHIN DIMENSIONS						
THIS DRAWING CONTAINS INFORMATION THAT IS PROPRIETARY TO MOLEX. INCORPORATED AND SHOULD NOT BE USED WITHOUT WRITTEN PERMISSION						

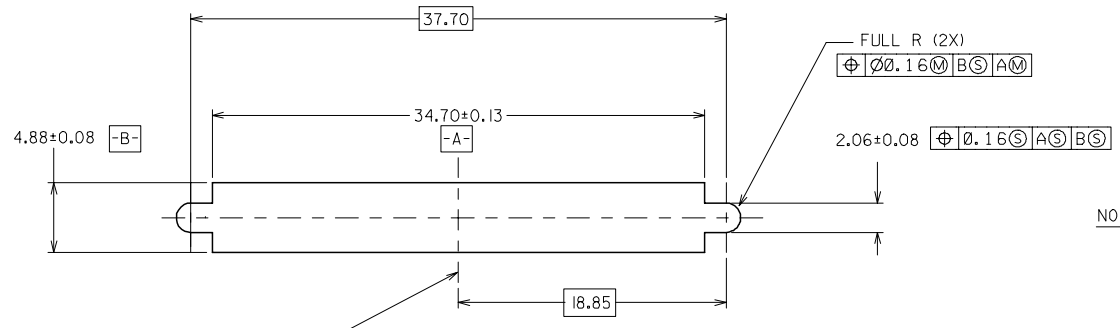


NOTE:
 FOR FULL MATE WITH PLUG, PANEL THICKNESS SHOULD NOT EXCEED 1.0mm.
 FUNCTIONAL MATING WITH MOLEX PLUG CAN STILL BE MAINTAINED WITH PANELS AS THICK AS 2.5mm (BUT PLUG AND RECEPTACLE WILL NOT BE FULLY MATED).

SEE SHEET 1 EC NO: UCP2012-3896 DRWN:BBARKER 2012/08/30 CHKD:MMOLFE APPR:SMILLER 2012/08/31	QUALITY SYMBOLS	GENERAL TOLERANCES (UNLESS SPECIFIED)		DIMENSION STYLE MM ONLY		SCALE	DESIGN UNITS INCH	THIRD ANGLE PROJECTION	
	$\nabla = 0$	4 PLACES ±	mm	INCH	DRAWN BY	DATE	TITLE	SALES ASSY VHDCI 0.8MM PITCH 68 CKT RIGHT ANGLE RECT W/ ENHANCED SHIELD molex DOCUMENT NO. SD-71430-001 SHEET NO. 2 OF 2	
	$\nabla = 0$	3 PLACES ±	±	±	CHECKED BY	DATE			
	$\nabla = 0$	2 PLACES ±	±0.25	±	±	DMORGAN	10/29/2002		
$\nabla = 0$	1 PLACE ±	±	±	±	APPROVED BY	DATE			
		0 PLACE ±	±	±	SMILLER	2012/08/31			
		ANGULAR ±1/2°		MATERIAL NO.		DOCUMENT NO.			
		DRAFT WHERE APPLICABLE MUST REMAIN WITHIN DIMENSIONS		SEE TBL, SHT 1		SD-71430-001			
				SIZE		THIS DRAWING CONTAINS INFORMATION THAT IS PROPRIETARY TO MOLEX INCORPORATED AND SHOULD NOT BE USED WITHOUT WRITTEN PERMISSION			



PCB LAYOUT
COMPONENT SIDE



☉ OF DATUM A

PANEL CUTOUT

NOTE:
FOR FULL MATE WITH PLUG, PANEL THICKNESS SHOULD NOT EXCEED 1.0mm.
FUNCTIONAL MATING WITH MOLEX PLUG CAN STILL BE MAINTAINED WITH PANELS AS THICK AS 2.5mm (BUT PLUG AND RECEPTACLE WILL NOT BE FULLY MATED).

CLARIFY PINOUT EC NO: UCP2006-1816 DRAWN BY: BARRA 2006/02/13 CHKD: BBARKER 2006/02/23 APPR: SMILLER 2006/02/23 REV:	QUALITY SYMBOLS ▽=0 ▽=0	GENERAL TOLERANCES (UNLESS SPECIFIED)		DIMENSION STYLE MM ONLY		SCALE 4:1	DESIGN UNITS METRIC	THIRD ANGLE PROJECTION			
		4 PLACES ± --- ± ---	3 PLACES ± --- ± ---	2 PLACES ± 0.25 ± ---	1 PLACE ± --- ± ---	DRAWN BY BBARKER	DATE 2002/10/29	CHECKED BY DMORGAN	DATE 2002/10/29	TITLE VHDCI 0.8 MM PITCH 68CKT RIGHT ANGLE RECEPT WITH ENHANCED SHIELD	
		ANGULAR ±1/2°				APPROVED BY SMILLER	DATE 2002/10/29	MATERIAL NO. SEE TABLE		DOCUMENT NO. SD-71430-001	SHEET NO. 2 OF 2
		DRAFT WHERE APPLICABLE MUST REMAIN WITHIN DIMENSIONS				SIZE C		THIS DRAWING CONTAINS INFORMATION THAT IS PROPRIETARY TO MOLEX INCORPORATED AND SHOULD NOT BE USED WITHOUT WRITTEN PERMISSION			