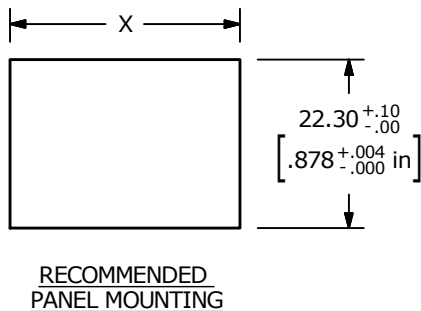
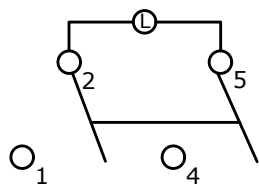
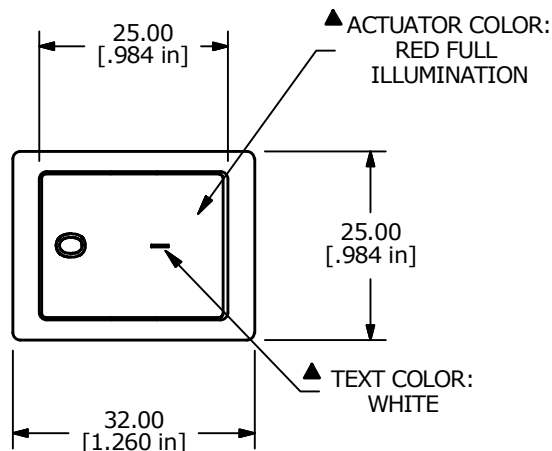


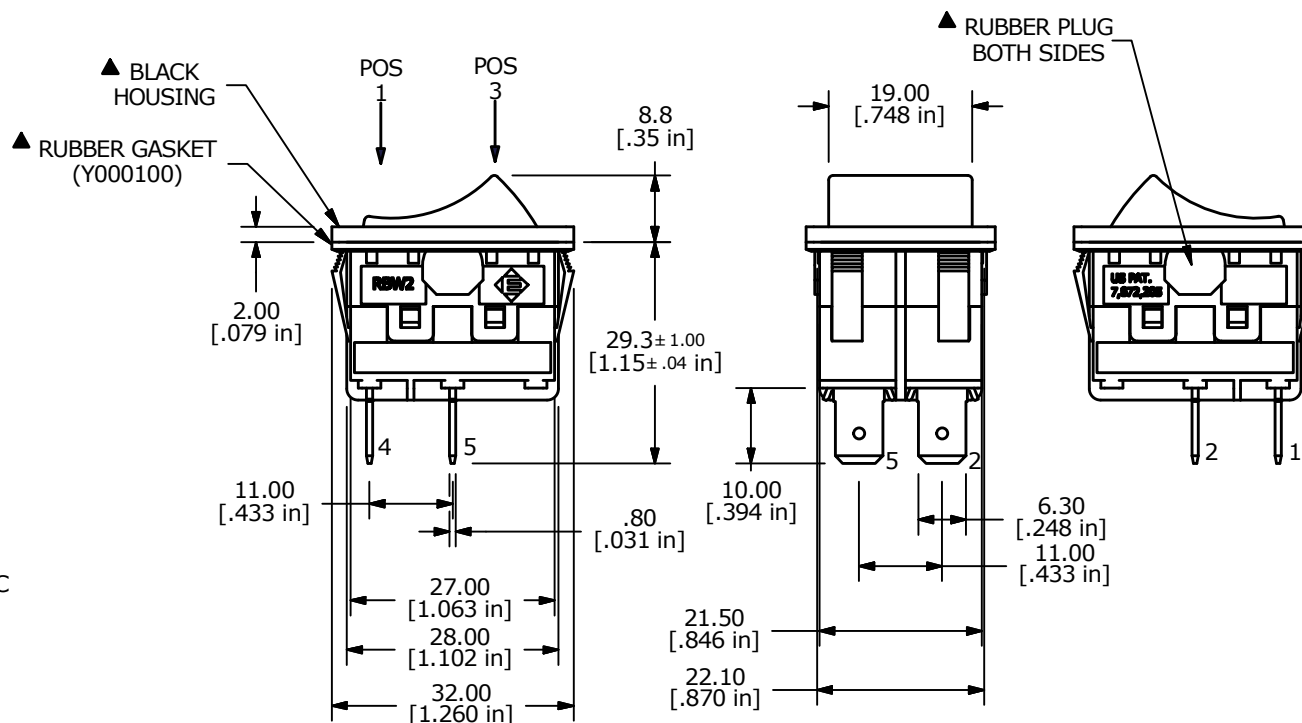
▲ SWITCH FUNCTION		
POS. 1	POS. 2	POS. 3
OFF	N/A	ON
OPEN	N/A	2-1, 5-4



PANEL THICKNESS	X
1.2-1.8	29.9/30.0
1.8-2.4	30.3/30.4
2.4-3.0	30.7/30.8



CIRCUIT: DPST FUNCTIONS



- NOTES:
- ALL DIMENSIONS IN mm [INCH]
 - GENERAL TOLERANCE: X.X=±0.4
X.XX=±0.25
 - TERMINAL NUMBERS FOR REF. ONLY
 - RATING: 12VDC 18A
 - MECHANICAL LIFE: 50,000 CYCLES
 - CONTACT RESISTANCE: <30 MILLI-OHMS INITIAL
 - DIELECTRIC STRENGTH: 1000VAC 1MIN
 - ▲ DENOTES CRITICAL PARAMETER.
 - INSULATION RESISTANCE: 500M OHMS AT 500VDC
 - OPERATING TEMP: -20°C to 85°C
 - ▲ LAMP: 12VDC INCANDESCENT
 - RATING: IP66
 - 2002/95/EC (ROHS) COMPLIANT



B	22310	UPDATED SWITCH RATING	5/20/16	MJR
A	22294	NEW RELEASE	5/5/16	MJR
REV	PCR NO	DESCRIPTION	DATE	BY

TITLE RBW2ABLKRIFFF3				
SCALE	DATE	DR	DWG	REV
1:1	5/5/2016	MJR	Y100015	B

THE INFORMATION CONTAINED IN THIS DOCUMENT IS PROPRIETARY TO E-SWITCH AND IS NOT TO BE COPIED OR TRANSFERRED