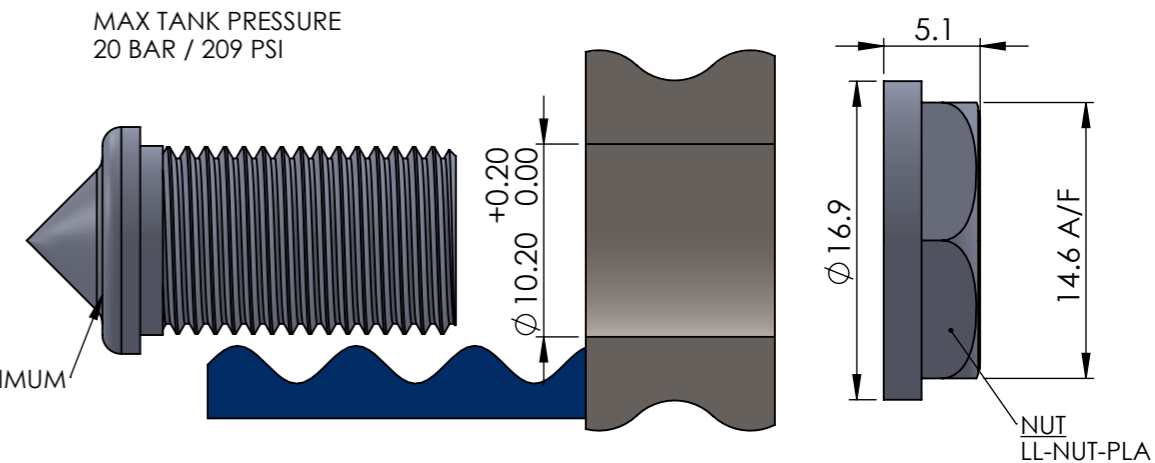
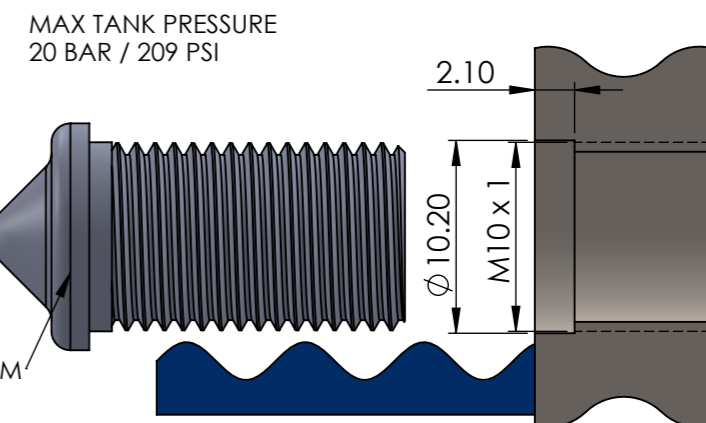
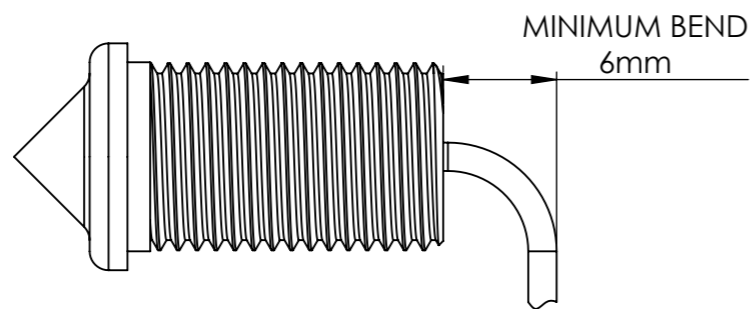


TIGHTENING TORQUE:  
1.5 Nm / 13.26 in-lbs MAXIMUM



OPTION 1. CLEARANCE WALL  
NUT OPTIONAL AND AVAILABLE ON REQUEST



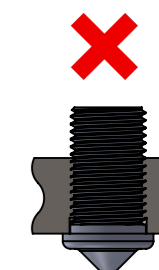
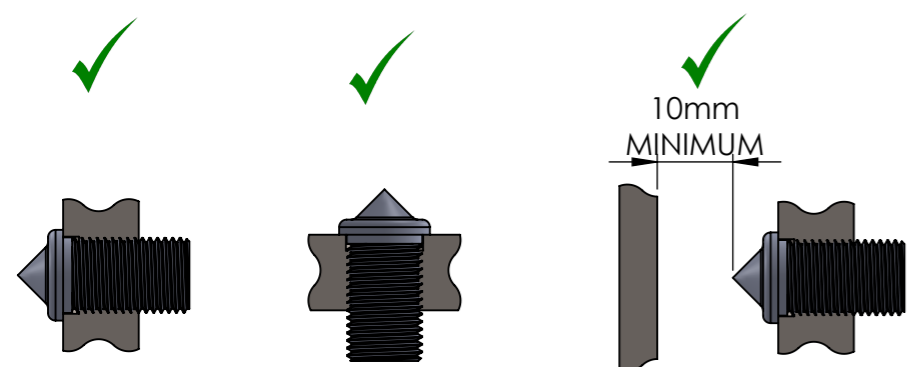
TIGHTENING TORQUE:  
1.5 NM / 13.26 IN-LBS MAXIMUM

OPTION 2. THREADED WALL

**RECOMMENDED MOUNTING POSITIONS**

- OPTICAL LIQUID LEVEL SWITCHES SHOULD BE MOUNTED FROM THE SIDE OR FROM THE BOTTOM FOR BEST RESULTS.
- AVOID MOUNTING POSITIONS WHERE AMBIENT LIGHT IS LIKELY TO POINT DIRECTLY AT THE SENSING TIP, AS FALSE READINGS CAN OCCUR.
- AVOID REFLECTIVE SURFACES WITHIN 10mm OF SENSING TIP. SWITCH PERFORMANCE CAN BE AFFECTED BY REFLECTIVE SURFACES
- MOUNTING FROM THE TOP DOWN IS NOT NORMALLY ADVISED AS FALSE READINGS CAN BE CAUSED BY LIQUID DROPLETS CLINGING TO THE SENSING TIP. HOWEVER, IF THE LIQUID VISCOSITY IS LOW, THEN POINTING DOWNWARDS IS OFTEN FINE. ADDITIONALLY, IF THE APPLICATION IS A HIGH LEVEL ALARM AND ITS ACTIVATION RESULTS IN THE MACHINE SHUTDOWN FOR EXAMPLE, POINTING DOWNWARDS MAY BE ACCEPTABLE.

IF YOU REQUIRE MOUNTING IN ANY POSITION THAT IS NOT NORMALLY ADVISED PLEASE CONTACT [TECHNICAL@SSTSENSING.COM](mailto:TECHNICAL@SSTSENSING.COM) TO DISCUSS THE IMPLICATIONS.



UNLESS OTHERWISE SPECIFIED DIMENSIONS ARE IN MILLIMETERS STANDARD TOLERANCES: X X.X X.XX ±0.5 ±0.2 ±0.1 DEBURR AND BREAK SHARP EDGES ALL PARTS TO BE CLEAN AND FREE FROM DUST & OIL	MATERIAL: LLC - POLYSULFONE LLT - TROGAMID	TITLE: <b>LLX5 OPTOMAX DIGITAL - M10 MOUNTING</b>	
	DRAWN BY: S.McCURRACH DRAWN ON: 15/01/2018	DRAWING NO. <b>LLX5X0D3X</b>	
<b>SST</b> DESIGN • MANUFACTURE • CUSTOMISE • CONFIGURE		SCALE: 5:2	
THIRD ANGLE PROJECTION		SHEET 1 OF 1	