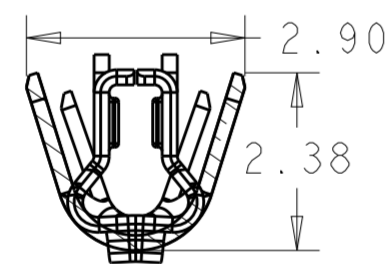
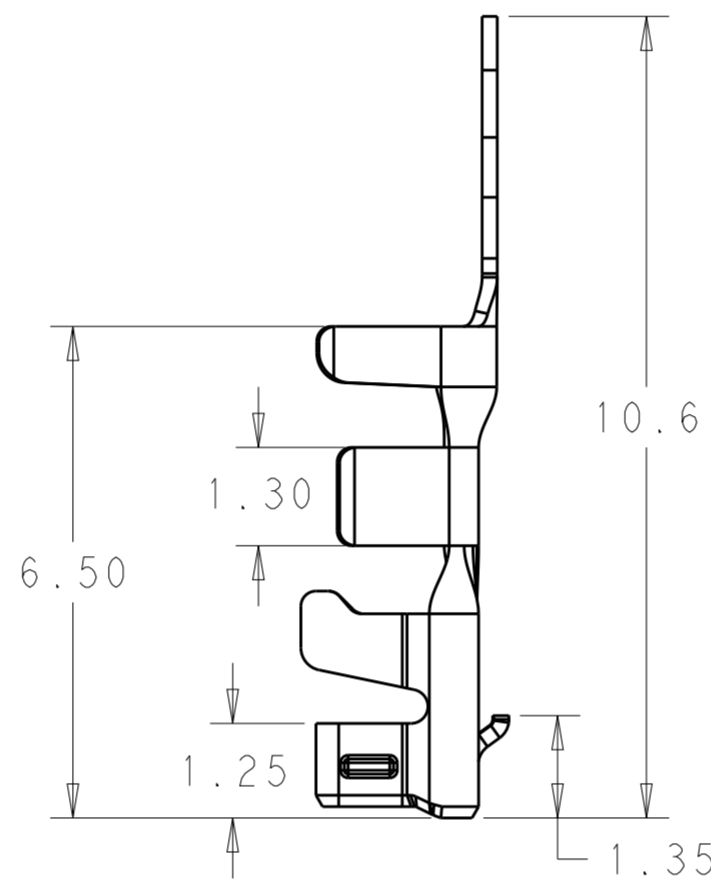
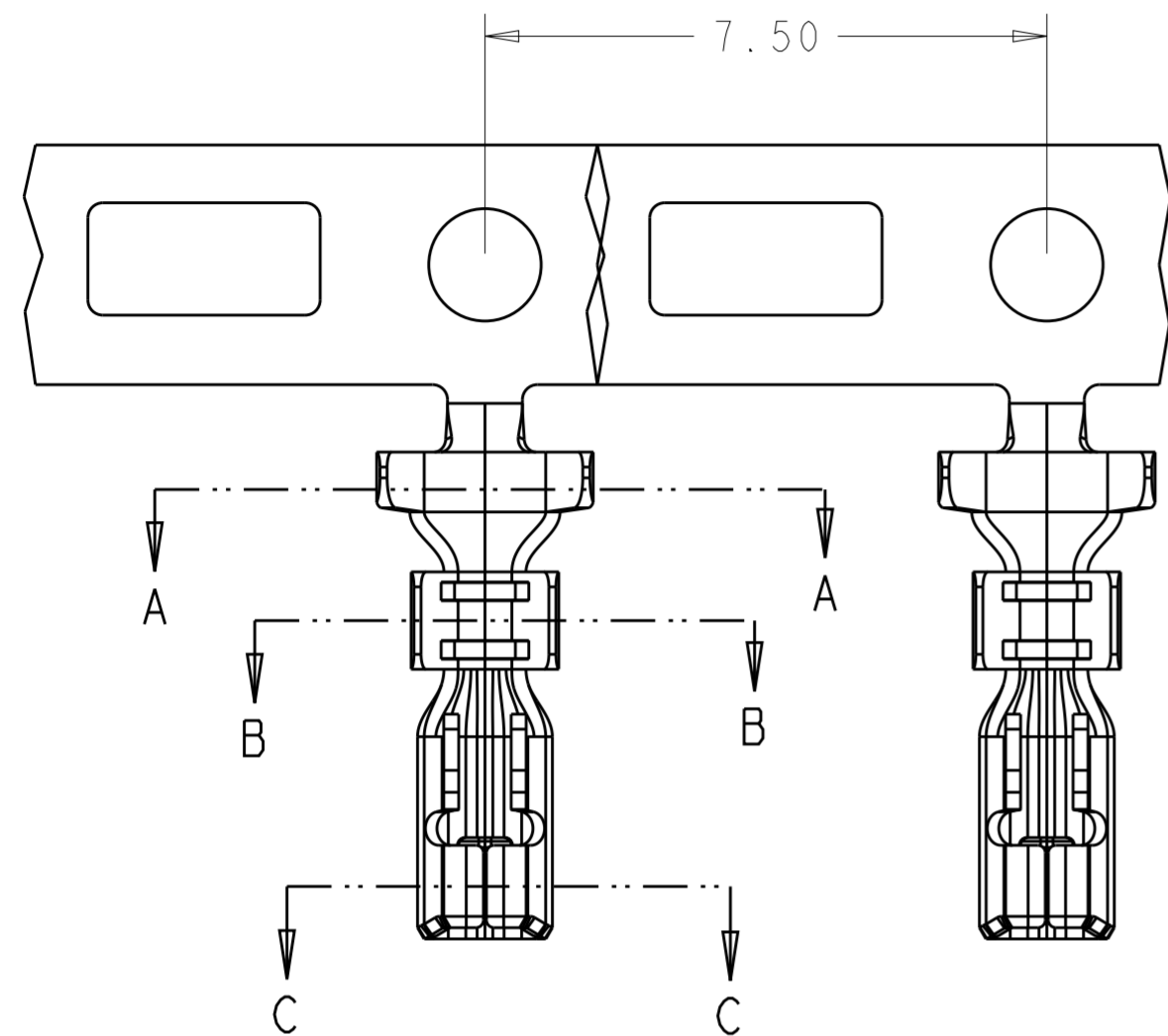
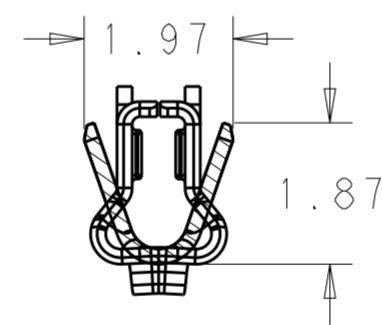


THIS DRAWING IS UNPUBLISHED. RELEASED FOR PUBLICATION  
 © COPYRIGHT copyright.d8te- ALL RIGHTS RESERVED.

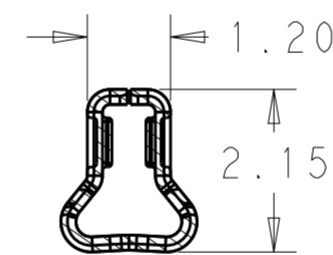
REVISIONS				
P	LTR	DESCRIPTION	DATE	APVD
	A	FIRST RELEASED	29 JAN 16	O.C D.Z



SECTION A-A



SECTION B-B



SECTION C-C

- 1 MATERIAL: PHOSPHOR BRONZE.
- 2 FINISH: PRE-TIN.
- 3 DESIGNED FOR USE IN HOUSINGS 1969442-( ) OR 1744417-( ).
- 4 CONTACTS COATED WITH ANTI-FRETTING LUBRICANT.
- 5 CONTACT IS RoHS COMPLIANT.
- 6 WIRE RANGE: 0.20~0.56mm<sup>2</sup> [24-20 AWG] STRANDED.
- 7 INSULATION RANGE: 1.3~1.9
- 8 THIS PRODUCT HAS NOT COMPLETED VALIDATION TESTING.

2232983-1  
 PART NUMBER

THIS DRAWING IS A CONTROLLED DOCUMENT.		DWN OTIO CHEN 14 JAN 2016	TE Connectivity	
DIMENSIONS: mm		CHK DANIEL 16 JAN 2016		
TOLERANCES UNLESS OTHERWISE SPECIFIED:		APVD DANIEL 16 JAN 2016	NAME LOW INSERTION FORCE CONTACT, ECONOMY POWER 2.5, RECEPTACLE	
0 PLC ± 1 PLC ±0.40 2 PLC ±0.30 3 PLC ± 4 PLC ± ANGLES ± FINISH ±		PRODUCT SPEC 108-2418	SIZE A2	CAGE CODE 00779
MATERIAL 1 - 2		APPLICATION SPEC 114-13315	DRAWING NO C-2232983	RESTRICTED TO -
CUSTOMER DRAWING		WEIGHT -	SCALE N/A	SHEET 1 OF 1 REV A