

4

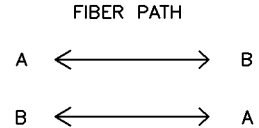
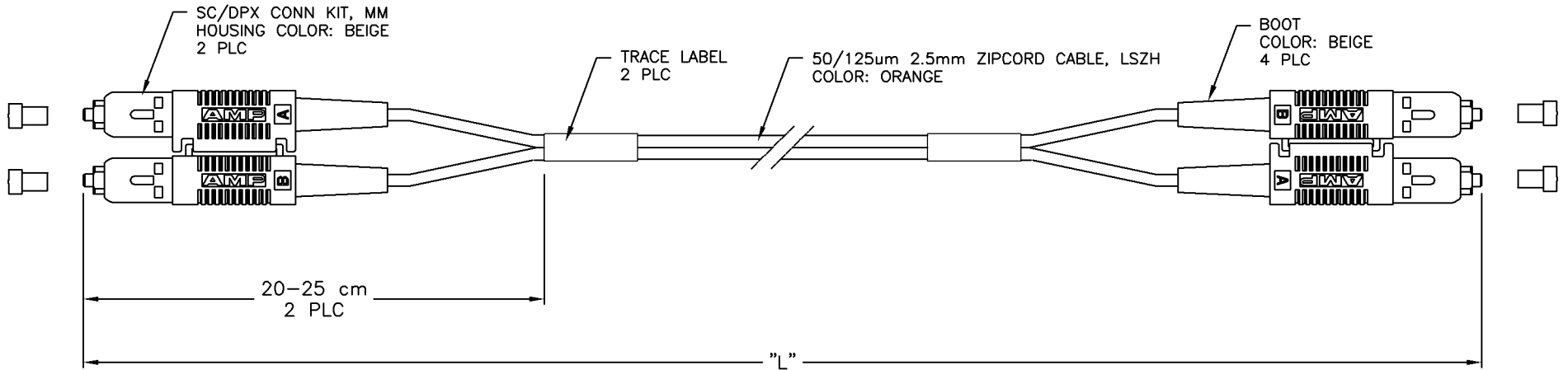
3

2

1

THIS DRAWING IS UNPUBLISHED. RELEASED FOR PUBLICATION  
 © COPYRIGHT BY TYCO ELECTRONICS CORPORATION. ALL RIGHTS RESERVED.

LOC	DIST	REVISIONS					
HG	-	P	LTR	DESCRIPTION	DATE	DWN	APVD
		A		RELEASE	10MAY07	SBY	RZ



NOTES:

1 INSERTION LOSS <= 0.5 dB, MEASURED AT 1300nm

STANDARD LENGTHS (XY) ACC. TO CUSTOMER DRAWING 1206850	
PART NUMBER	"L" (meter)
X-1966129-Y	XY.0

THIS DRAWING IS A CONTROLLED DOCUMENT.		DWN	SHI BI YUN	10MAY07	Tyco Electronics Corporation Shanghai, China													
DIMENSIONS: METER		CHK	KATHY HE	10MAY07	NAME													
TOLERANCES UNLESS OTHERWISE SPECIFIED:		APVD	RICHARD ZHAO	10MAY07	FOMM50 LEAD 2.4TZ SC/DPX - SC/DPX, LSZH													
<table border="1"> <tr><td>0 PLC</td><td>± -</td></tr> <tr><td>1 PLC</td><td>± -</td></tr> <tr><td>2 PLC</td><td>± -</td></tr> <tr><td>3 PLC</td><td>± -</td></tr> <tr><td>4 PLC</td><td>± -</td></tr> <tr><td>ANGLES</td><td>± -</td></tr> </table>		0 PLC	± -	1 PLC	± -	2 PLC	± -	3 PLC	± -	4 PLC	± -	ANGLES	± -	PRODUCT SPEC	-			
0 PLC	± -																	
1 PLC	± -																	
2 PLC	± -																	
3 PLC	± -																	
4 PLC	± -																	
ANGLES	± -																	
MATERIAL		APPLICATION SPEC	-															
FINISH		WEIGHT	-		SIZE	RESTRICTED TO												
-		-		A3	CAGE CODE	00779												
-		-		DRAWING NO		C=1966129												
-		CUSTOMER DRAWING		SCALE	SHEET	1 OF 1												
-		-		NTS	REV	A												