

SPECIFICATIONS

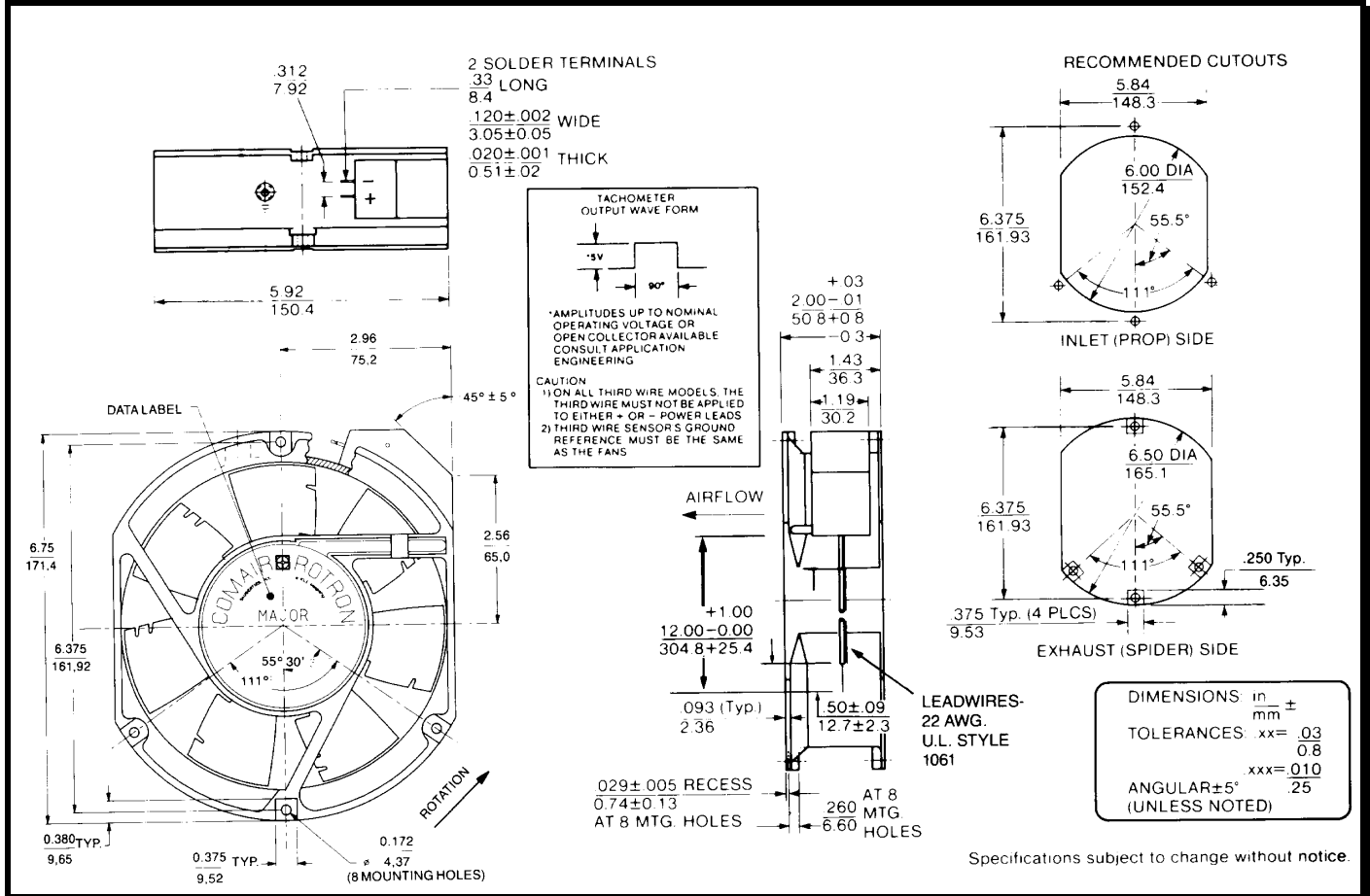
(RoHS Compliant)



Model Number: JQ24B7
Part Number: 19031491A
SPEC Number: 26007458A Rev:01

November 9, 2012

Mechanical Drawing:



Motor:

Nominal Voltage = 24 vdc
 Operating Voltage Range = 12 - 28 vdc
 Nominal Running Current = 0.85 amps
 Locked Rotor Current = 1.50 amps
 Running Power = 20.3 watts
 Average Speed = 3500 rpm
 Bearings = Ball
 Air Flow = 235 cfm
 Acoustic = 54.3 dBA

Construction:

Venturi: Die-Cast Aluminum, Black
 Propeller: Plastic, Black, UL 94V-0

Life Expectancy:

This fan is designed for continuous duty life of 75,000 hours at 40°C.

Agencies:

UL, CE

Additional Features:

Brushless DC motor
 Locked Rotor Protection
 Polarity Protected
 Automatic Restart Capability
 Operating Temperature = -10°C to 70°C
 Storage Temperature: = -40°C to 85°C

Tachometer:

Output: 5 Vdc TTL Compatible
 I_C: 5 mA Typical
 Pulses Per Revolution: 2
 Isolated: No

Termination:

12.0" Lead wires, 22 AWG, UL1061
 Red = Fan (Power)
 Black = Fan (Return)
 Blue/White = Tachometer (Output)