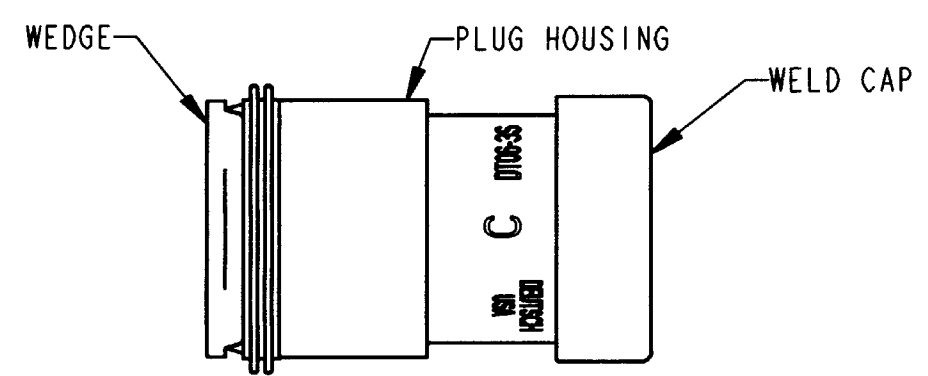
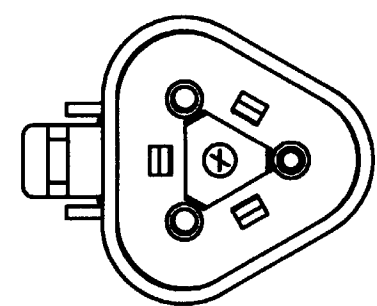
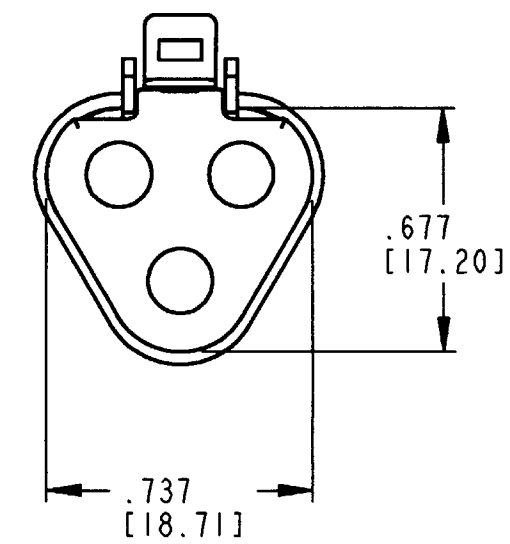
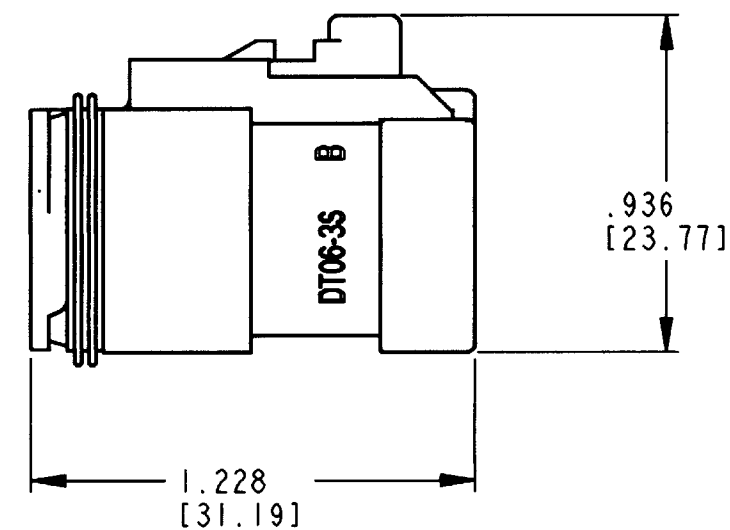


REV	DT06-3S-PP01
A	

REVISIONS			
SYM	DESCRIPTION	DATE	APPROVED
NC	NEW RELEASE PER E.O. P15825	11/20/98	R.D.R.
A	REVISED PER E.O. P16093	5-14-99	RDR



- NOTES: 1. ALL DIMENSIONS ARE IN INCHES [MILLIMETERS]
2. ALL DIMENSIONS ARE FOR REFERENCE ONLY.
 3. CONSULT FACTORY FOR CONTACT SPECIFICATION AND APPLICATION
 4. THIS CONNECTOR CAN PASS THROUGH A ONE INCH HOLE
 5. TOLERANCES: ±.025 [.64]
 6. THIS PLUG MATES WITH DT04-3P - J1939 SERIES CONNECTORS ONLY, CONSULT FACTORY FOR MODIFICATION NUMBERS.
 7. RESISTOR CHARACTERISTICS: 120 OHMS ±10 PERCENT, .4 WATTS MINIMUM.

SIGNATURE & DATE	
DR	S. THEAS 11/8/98
CHK	<i>[Signature]</i> 5-12-99
PE	<i>[Signature]</i> 5-12-99
APPD	R. Radt 5-14-99
SCALE	2X WT

3 WAY PLUG
WITH TERMINATING RESISTOR
DT SERIES
PP01 MOD

ENVELOPE

CP	MATL. CODE
The Deutch Company DEUTSCH I.P.D. 3850 INDUSTRIAL AVE. HEMET, CALIF. 92545	
B	DT06-3S-PP01
DWG SIZE	CODE 11139 SHEET OF