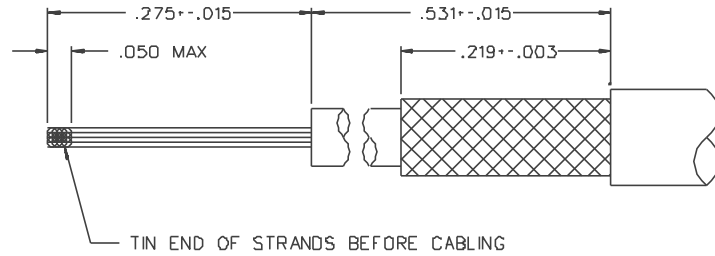
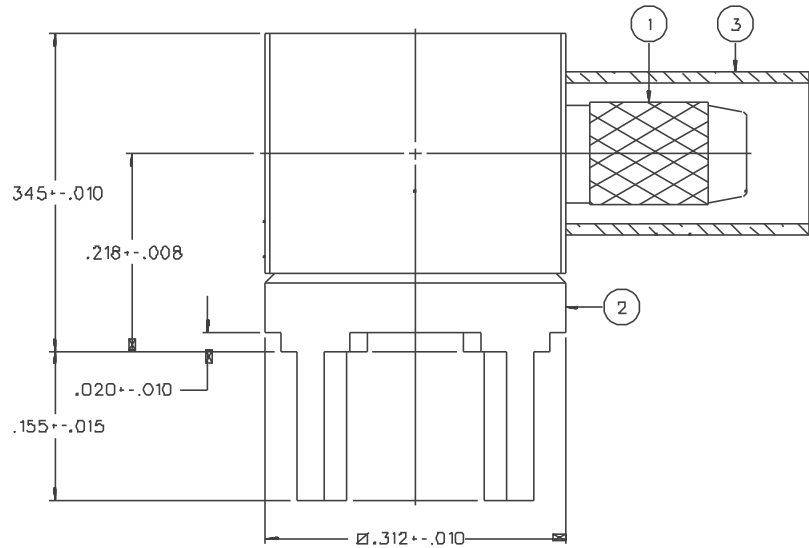
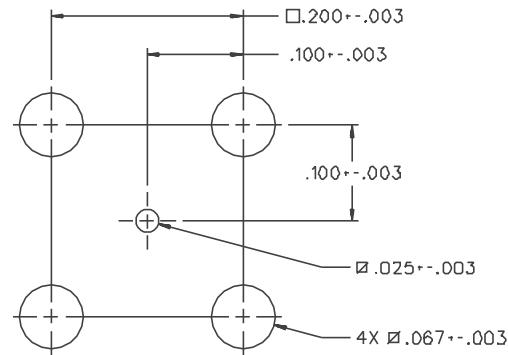
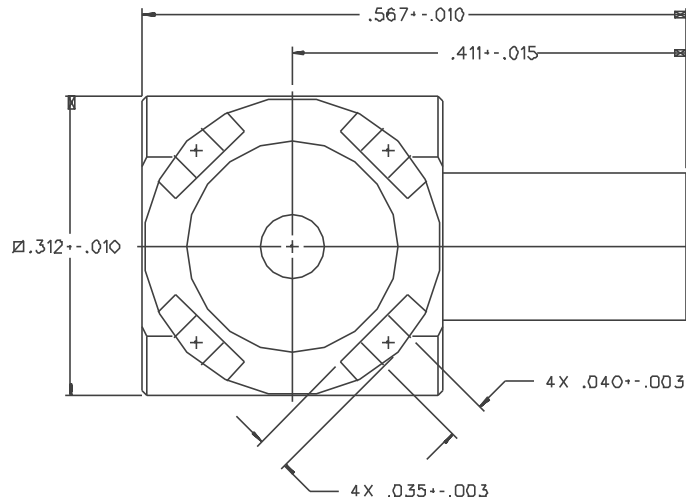


PART NUMBER	ITEM ① BODY	ITEM ② BASE	ITEM ③ CRIMP SLEEVE
142-0004-3D1	BRASS GOLD PL .00001 MIN OVER NICKEL PL .00005 MIN OVER COPPER PL .00005 MIN	BRASS GOLD PL .00001 MIN OVER NICKEL PL .00005 MIN OVER COPPER PL .00005 MIN	COPPER GOLD PL .00001 MIN OVER NICKEL PL .00005 MIN OVER COPPER PL .00005 MIN
142-0004-3D6	BRASS NICKEL PL .0001 MIN OVER COPPER PL .00005 MIN	BRASS NICKEL PL .0001 MIN OVER COPPER PL .00005 MIN	COPPER NICKEL PL .0001 MIN OVER COPPER PL .00005 MIN



CABLE STRIP DIMENSIONS



MOUNTING HOLE LAYOUT

NOTES:

- SPECIFICATIONS:  
CABLE ACCEPTABILITY: RG 316/U DOUBLE SHIELDED  
RG 188/U DOUBLE SHIELDED  
CABLE HEX CRIMP SIZE: .151  
CABLE RETENTION: 20 LBS MIN OR CABLE BREAKING STRENGTH


DRAWING NO. C - 142-0004-301/310	
0	REVISIONS
ENGINEERING RELEASE	
1	6-12-92 R H A E CO 41Q80

CUSTOMER DRAWING

THIS DRAWING TO BE INTERPRETED  
PER ANSI Y 14.5M - 1982

"μSTATION"

COMPANY CONFIDENTIAL

TOLERANCE UNLESS OTHERWISE SPECIFIED	DRAWN BY VET	DATE 5-8-92	 Cinch Connectivity Solutions 299 Johnson Ave. Ste. 100 Worcester, MA 01605 1-800-247-8256
DECIMALS .XX	CHECKED BY VET	DATE 6-15-92	
MATL	APPROVED BY VET	DATE 6-15-92	TITLE CABLE TERMINATION, RA PC MOUNT RG 316 DOUBLE SHIELDED
FINISH	APPROVED BY TAK/RJB	DATE 6-15-92	CODE NO.
	RELEASE DATE		DRAWING NO. C - 142-0004-301/310
			SCALE 10:1 U/M INCH SHEET 2 OF 2