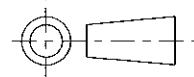


ISS.	DATE	E.C.N.	DESCRIPTION
1	25-May-07		FIRST ISSUE
1A	19-Dec-11	12/11/1323	Title change
1B	06/03/12	03/12/1330	Addition of Gate Length

© 2011 CTP-COIL
ALL DIMENSIONS IN mm



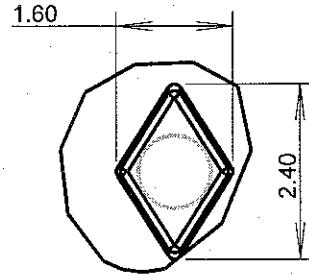
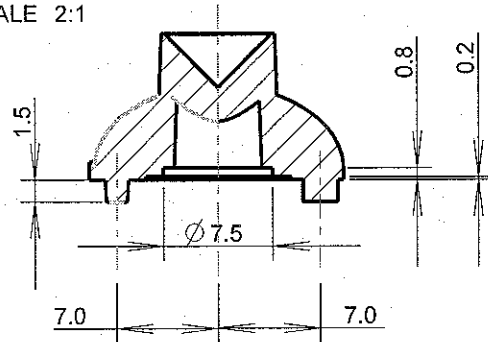
GENERAL VIEW
SCALE 1:1



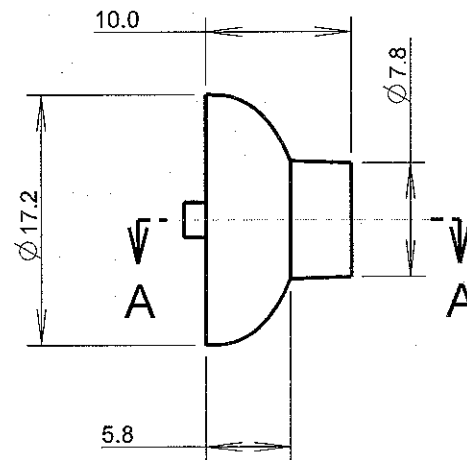
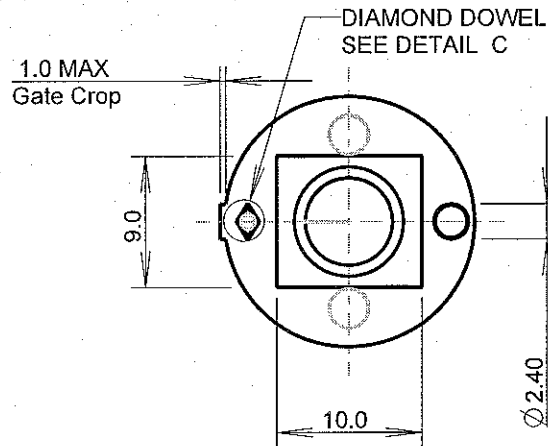
CARCLO TECHNICAL PLASTICS (SLOUGH)
111 BUCKINGHAM AVE, SLOUGH
SL1 4PF, ENGLAND
TEL: +44 1753 575011 FAX: +44 1753 811359
e-mail: design@carclo-optics.com

CUSTOMER DRAWING

SECTION A-A
SCALE 2:1



DETAIL C
SCALE 10:1



MATERIAL: POLYCARBONATE

GENERAL TOLERANCES (UNLESS STATED)

LINEAR	ANGULAR
X +/- 0.25	X +/- 1°
X.X +/- 0.1	X.X +/- 0.5°
X.XX +/- 0.05	X.XX +/- 0.1°

CUSTOMER

CARCLO

TITLE

10MM HIGH SIDE EMITTER
OPTIC

DRAWN

AJD

DATE

25-May-07

CHK'D

PW

DATE

19-Dec-11

APP'D

MB

DATE

19-Dec-11

SCALE

2:1

CARCLO PART No.

10267

SIZE

A4

CARCLO DRG. No.

60465

SHEET

2 OF 3