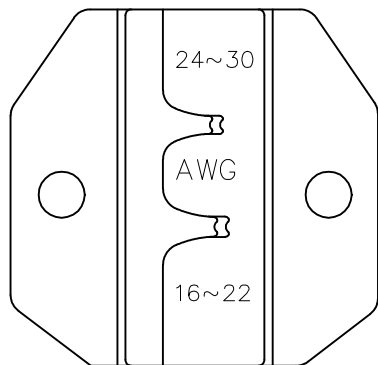


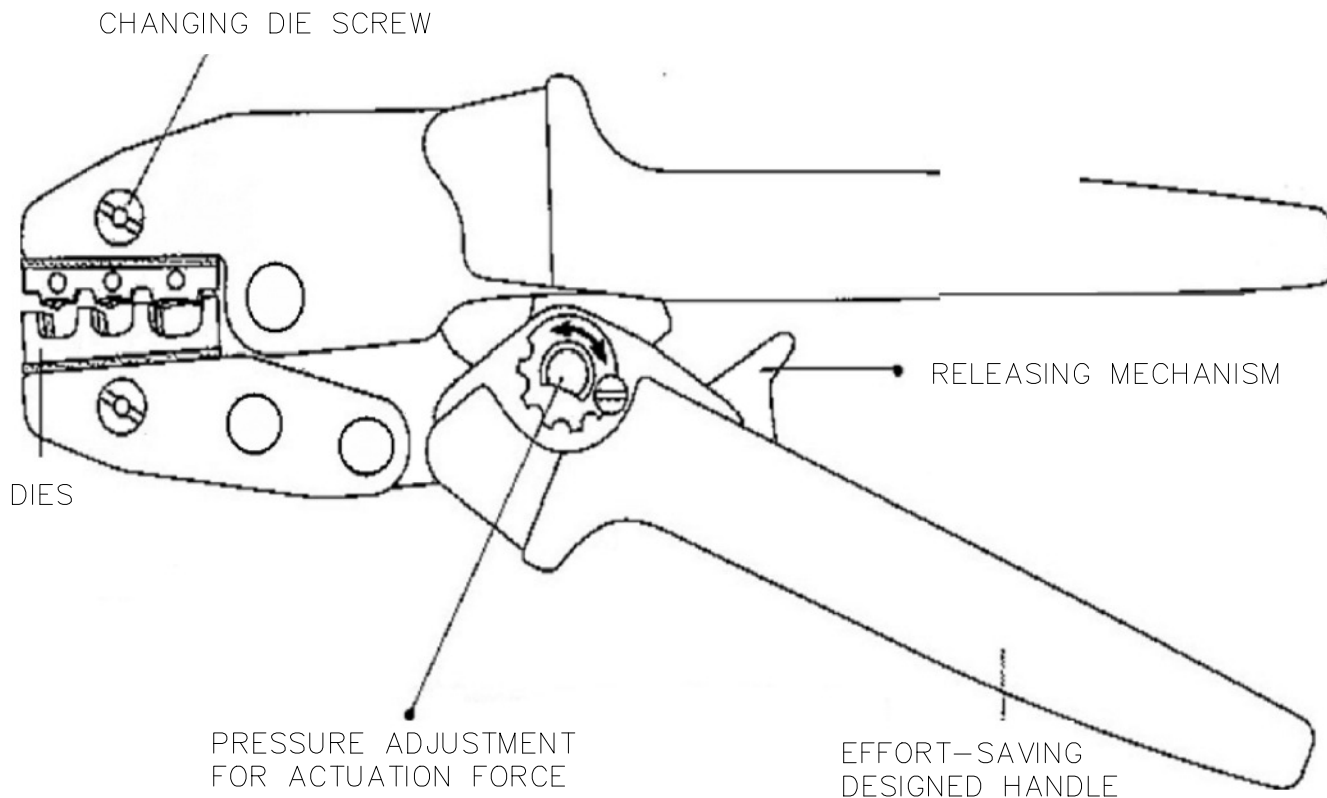


PRODUCT NUMBER

10129483-001LF



DIE USED FOR
AWG 16~30 WIRES



NOTE:

1. LENGTH 225mm.
2. CHANGABLE DIE FOR DIFFERENT APPLICATION.

mat'l. code				surface <input checked="" type="checkbox"/> tolerance		projection		product family	
ltr	ecn no	dr	date	tolerances unless otherwise specified				title	
A		TAI	2014-04-23	angles	linear	mm		RATCHED HAND CRIMPING TOOL	
B	ELX-N-26492	TONY	2017-03-29	0±5°		scale N.T.S.			
				dr	KENNY TAI	2014-03-20	dwg no		sheet 1 of 1
				enr	KENNY TAI	2014-03-20	Amphenol FCi		10129483
				chr	KENNY TAI	2014-03-20	type		Product Customer Drawing
				app	PM ZHENG	2014-03-20			A4
sheet index	revision	B							
	sheet	1							