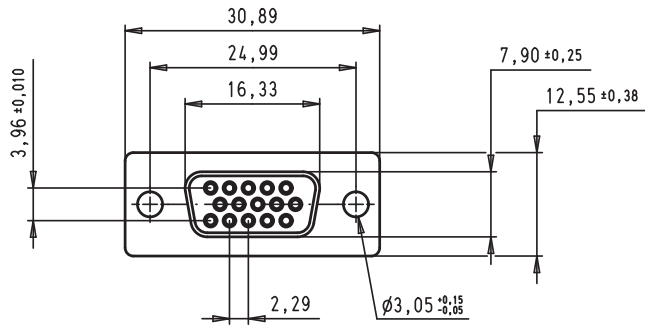
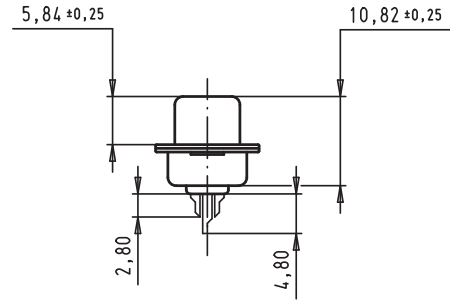
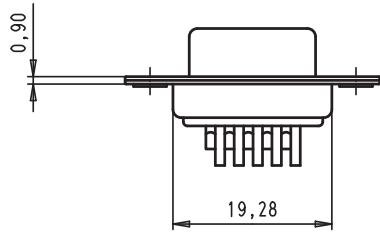




Alle Rechte vorbehalten/ All rights reserved



Entry hole type : stamped contact



09 56 100 4715.050	Gold plating: 0,76 μ m
Part number	Index designation

				Det.	Name	 All Dim. in mm Orig. Size DIN A 4	D-Sub, High Density, black, female, straight, 15 poles, solder pins and solder cups, tin plated shell with holes	Maßstab/ Scale 1,5:1
			Detail.	14/02/07	PK			
			Insp.					
			Stand.					
33938	14/02/07	PK	HARTING EURL F-95972 Paris				TB 09 56 100 4715	Blatt/ Page 1 / 1
Mod.	Det.	Name						