

LED location
green area

Section view A-A
Scale: 1:1

PCB or heatsink level
red area

$\phi 4.5$

37.5

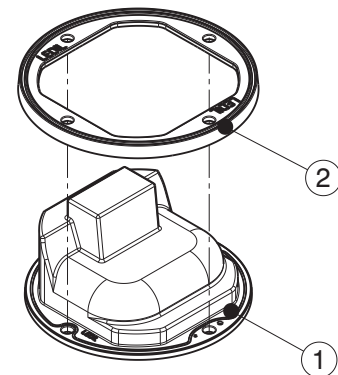
57.31

75

58.81

$\phi 4.5$

$\phi 4.5$



Isometric view
Scale: 1:2

Code table:

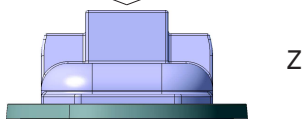
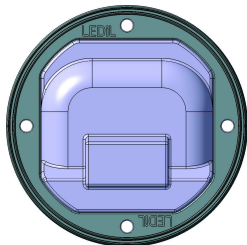
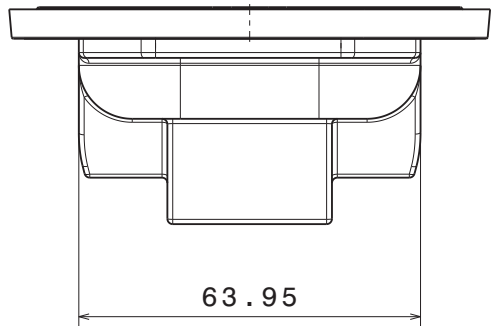
PRODUCT	FRAME	FRAME COLOR
FN16441_STELLA-G2-T3	F13322_STELLA-FRAME	black
FN16479_STELLA-G2-T3	F14252_STELLA-FRAME-WHT	white

COMPONENTS

STELLA-G2-T3-Mechanicalmodel_Assembly

INDEX	PART	TYPE	MATERIAL	COLOR / COATING
1	F16440_STELLA-G2-T3_Mechanicalmodel	LENS	Silicone	CLEAR
2	See Code Table	FRAME	Plastic	See code table

Light pattern direction



Notes

- PCB or heatsink level.
- LED location.
- Ensure LED fitting from a product specific 3D model available from www.ledil.com.
- For more details about installation please see LEDiL Installation Guide on www.ledil.com

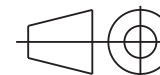
MECHANICAL DRAWING

PRODUCT See Code Table

LEDiL®

Plastic moulding general tolerances according to DIN 16901-130 and applies if not otherwise shown in the drawing. Silicone moulding general tolerances according to ISO 3302-1 Class M3 and applies if not otherwise shown in the drawing.

FIRST ANGLE PROJECTION:



This drawing is the property of LEDiL Oy. It may not be copied or otherwise distributed without prior written permission from LEDiL Oy.

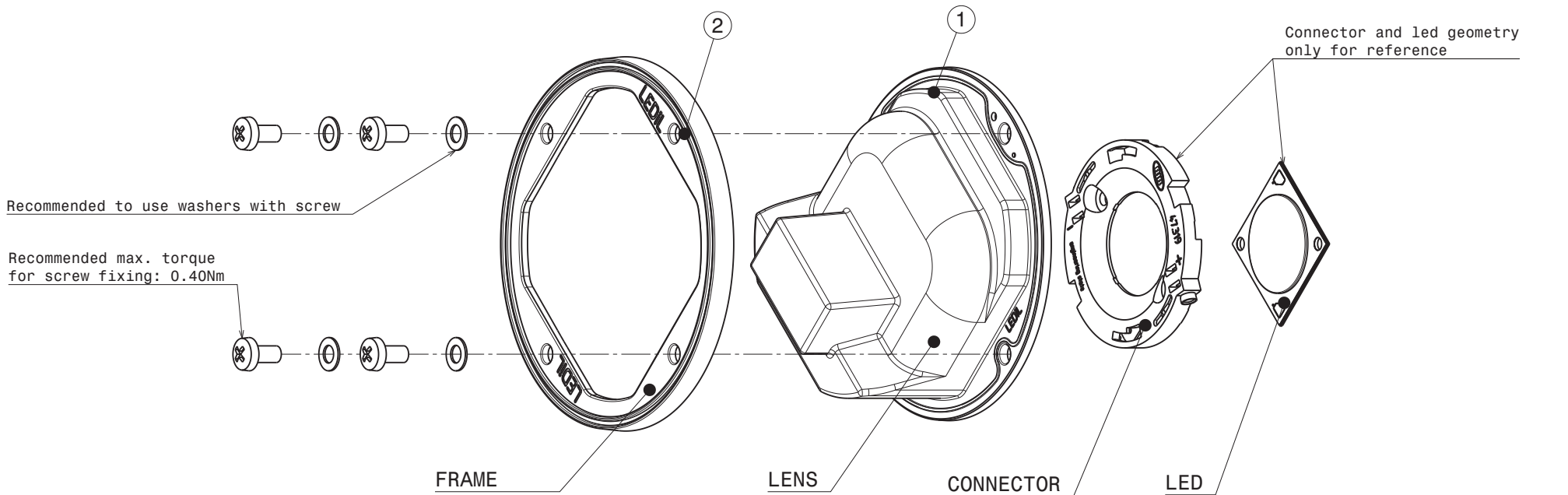
SCALE 1:1

WEIGHT 53,38g

A3 SHEET 1/2

H G F E D C B A

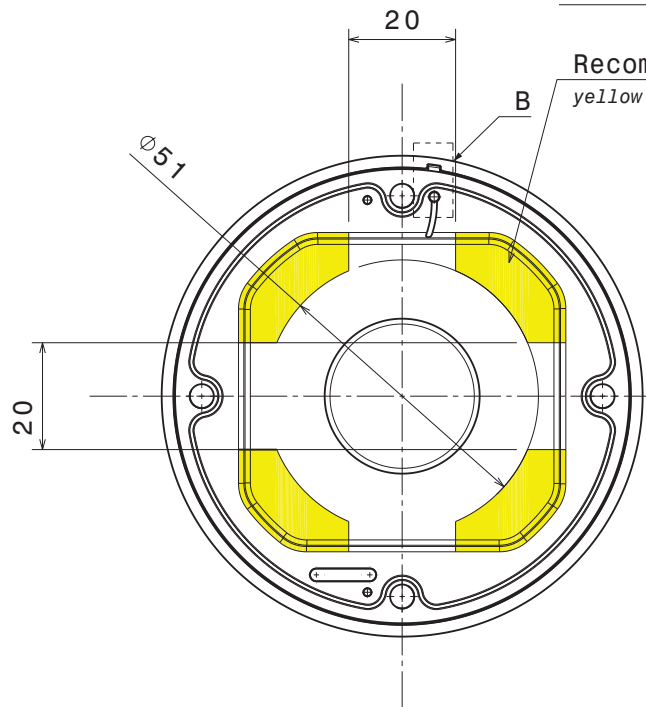
4 3 2 1



Recommended to use washers with screw

Recommended max. torque for screw fixing: 0.40Nm

Connector and led geometry only for reference



Recommended inlet area for wiring yellow areas

Check suitability and design requirements with each connector

Channels in LENS and FRAME must be aligned to enable option for venting

Detail B Scale: 2:1

Code Table:

PRODUCT	FRAME	COLOR
FN16441_STELLA-G2-T3	F13322_STELLA-FRAME	black
FN16479_STELLA-G2-T3	F14252_STELLA-FRAME-WHT	white

COMPONENTS

STELLA-G2-T3-Mechanicalmodel_Assembly

INDEX	PART	TYPE	MATERIAL	COLOR / COATING
1	F16440_STELLA-G2-T3_Mechanicalmodel	LENS	Silicone	CLEAR
2	See Code Table	FRAME	Plastic	See code table

MECHANICAL DRAWING		LEDiL [®]
PRODUCT See Code Table		
Plastic moulding general tolerances according to DIN 16901-130 and applies if not otherwise shown in the drawing. Silicone moulding general tolerances according to ISO 3302-1 Class M3 and applies if not otherwise shown in the drawing.	FIRST ANGLE PROJECTION: 	This drawing is the property of LEDiL Oy. It may not be copied or otherwise distributed without prior written permission from LEDiL Oy.
SCALE 1:1	WEIGHT 53,38g	A3 SHEET 2/2

Notes

Ensure LED fitting from a product specific 3D model available from www.ledil.com.
For more details about installation please see LEDiL Installation Guide on www.ledil.com

H G F E D C B A

4

3

2

1

4

3

2

1