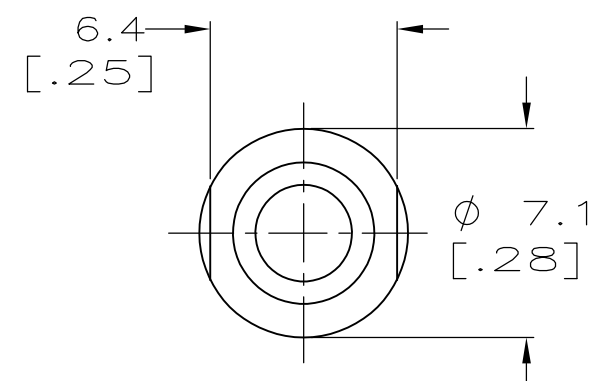
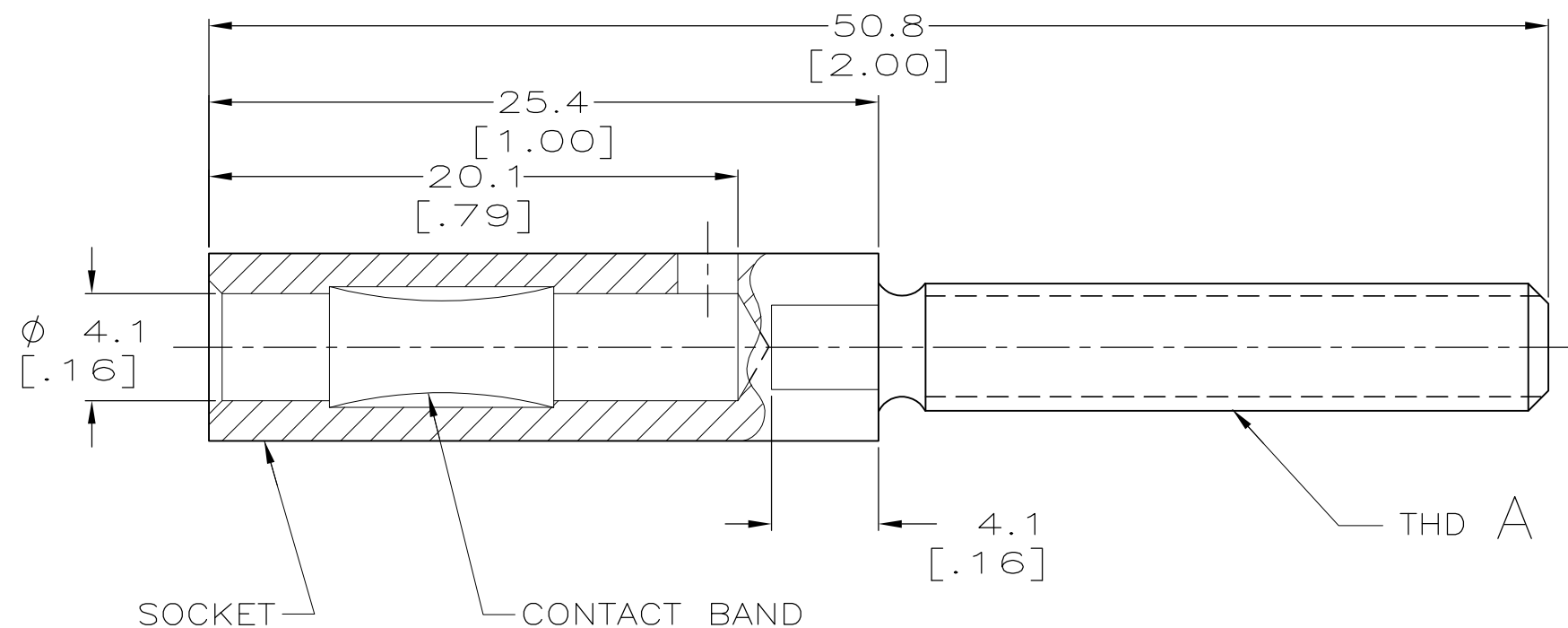


THIS DRAWING IS UNPUBLISHED. RELEASED FOR PUBLICATION ,19 .  
 © COPYRIGHT 19 BY AMP INCORPORATED. ALL INTERNATIONAL RIGHTS RESERVED.

LOC	DIST	P	F	REVISIONS				
				ZONE	LTR	DESCRIPTION	DATE	APPD
CH	11				A	ECN96022902	01/MAR/96	-
					A1	REVISED PER ECO-09-020935	08SEP09	AEG



NOTE:

1 OBSOLETE PARTS: OBSOLETE CIS STREAMLINING PER D.RENAUD/D.SINISI

1 OBSOLETE	M5 X 0.8	09025	192129-2
	10-32 UNF-2A	09110	192129-1

DO NOT SCALE PRINT. UNLESS SPECIFIED DIMENSIONS IN mm [INCHES] TOLERANCES ON:		DR RA JAYNE 11-07-91	AMP Incorporated Harrisburg, PA 17105-3608	
1 PLC DEC ± 0.25 3 PLC DEC ± - ANGLES ± -		CHK S.SIEGRIST 02-06-92		
MATERIAL	BRASS	APPD S.SIEGRIST 02-06-92	NAME	
FINISH	SILVER PLATE	APPD P.GLASER 02-06-92	SOCKET, 4mm	
		PRODUCT SPEC -	SIZE	CAGE CODE
		APPLICATION SPEC -	B	00779
		WEIGHT -	SCALE	DRAWING NO
			4:1	192129
				SHEET
				1 OF 1

**METRIC**