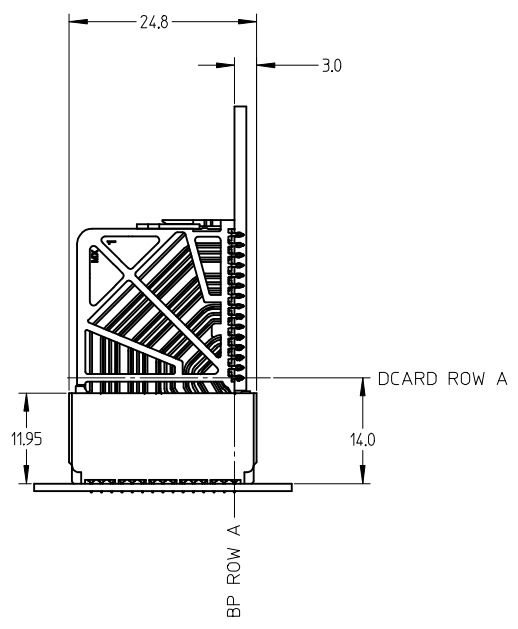
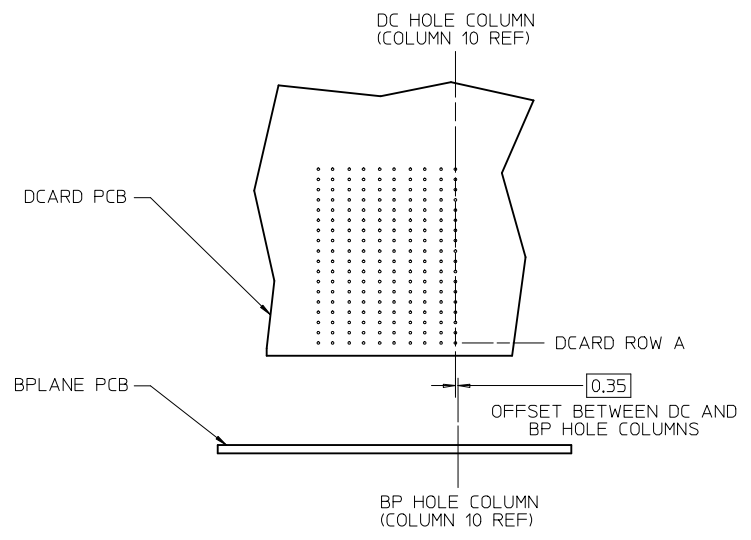
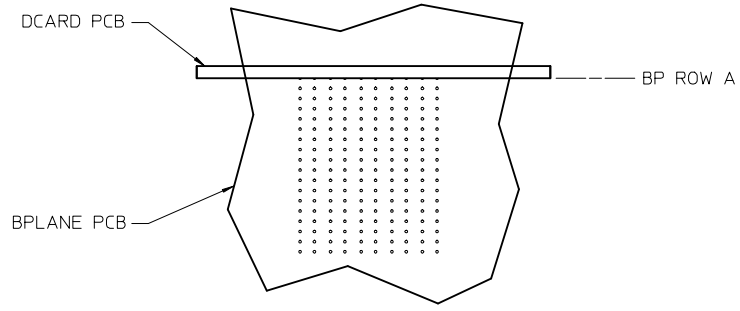


- NOTES:
1. MATERIALS: HOUSING - LIQUID CRYSTAL POLYMER (LCP)
GLASS-FILLED, UL94V-0
TERMINALS - HIGH PERFORMANCE COPPER ALLOY
 2. FINISH: 30μ MIN GOLD IN CONTACT AREA.
SELECTIVE TIN ON PCB TAILS. NICKEL OVERALL.
 3. REFER TO MOLEX PRODUCT SPECIFICATION PS-76060-999
FOR PERFORMANCE SPECIFICATIONS AND ADDITIONAL PCB INFORMATION.
 4. THIS PART CONFORMS TO CLASS B REQUIREMENTS OF
MOLEX COSMETIC SPEC PS-45499-002.
 5. PACKAGE PER: PK-70873-7707.
 6. SEE SHEETS 2 & 3 FOR PART NUMBERS AND BOARD RELATIONSHIPS.
 7. REFER TO MOLEX SALES DRAWING SD-76990-001 FOR THE MATING RECEPTACLES.
 8. REFER TO MOLEX PCB ROUTING GUIDE AS-76060-990 FOR ANTIPAD AND
ROUTING RECOMMENDATIONS.
 9. *THESE DIMENSIONS REPRESENT THE AREA NEEDED TO ACCOMODATE CONNECTOR
INSERTION AND REPAIR ON THE PC BOARD. THIS IS REFERED TO AS THE
"CONNECTOR KEEP OUT ZONE" AND DOES NOT REPRESENT THE ACTUAL PERIMETER
OF THE CONNECTOR. WHEN LAYING OUT A PC BOARD FOR CONNECTORS STACKED
TOGETHER, USE A 1.9mm PROGRESSION.*

UPDATE VIEWSET, NO CHNG EC NO: UCP2013-2762 DR: DRINVARVARA 2012/12/06 CHKD: APPR: B INGHAM 2013/02/06 REY:	QUALITY SYMBOLS	GENERAL TOLERANCES (UNLESS SPECIFIED)	DIMENSION STYLE	SCALE	DESIGN UNITS	THIRD ANGLE PROJECTION
	▽=0 ▽=0	mm INCH 4 PLACES ± --- ± --- 3 PLACES ± --- ± --- 2 PLACES ± 0.13 ± --- 1 PLACE ± 0.25 ± --- ANGULAR ± 1/2°	MM ONLY DRAWN BY: JMENDOZA CHECKED BY: TELO APPROVED BY: JB INGHAM MATERIAL NO: DATE: 2012/08/24 DATE: 2012/12/03 DATE: 2013/02/06	4:1	METRIC	TITLE: IMPACT 5 PAIR ORTHO MATE UNGUIDED HEADER ASSY SALES DRAWING MOLEX MOLEX INCORPORATED DOCUMENT NO. SD-76989-0001
		DRAFT WHERE APPLICABLE MUST REMAIN WITHIN DIMENSIONS	SEE CHART			SHEET NO. 1 OF 3
						THIS DRAWING CONTAINS INFORMATION THAT IS PROPRIETARY TO MOLEX INCORPORATED AND SHOULD NOT BE USED WITHOUT WRITTEN PERMISSION

IMPACT 5 PAIR ORTHO MATE
BOARD RELATIONSHIPS



SEE SHEET 1 EC NO: UCP2013-2762 DRWINDVARVARA 2012/12/06 CHKD: APPR: BINGHAM 2013/02/06	REV	DESCRIPTION
	4	

QUALITY SYMBOLS	$\nabla=0$ $\nabla=0$															
GENERAL TOLERANCES (UNLESS SPECIFIED)																
	<table border="1"> <tr> <th></th> <th>mm</th> <th>INCH</th> </tr> <tr> <td>4 PLACES</td> <td>\pm---</td> <td>\pm---</td> </tr> <tr> <td>3 PLACES</td> <td>\pm---</td> <td>\pm---</td> </tr> <tr> <td>2 PLACES</td> <td>\pm0.13</td> <td>\pm---</td> </tr> <tr> <td>1 PLACE</td> <td>\pm0.25</td> <td>\pm---</td> </tr> </table>		mm	INCH	4 PLACES	\pm ---	\pm ---	3 PLACES	\pm ---	\pm ---	2 PLACES	\pm 0.13	\pm ---	1 PLACE	\pm 0.25	\pm ---
	mm	INCH														
4 PLACES	\pm ---	\pm ---														
3 PLACES	\pm ---	\pm ---														
2 PLACES	\pm 0.13	\pm ---														
1 PLACE	\pm 0.25	\pm ---														
	ANGULAR \pm 1/2°															
DRAFT WHERE APPLICABLE MUST REMAIN WITHIN DIMENSIONS																

DIMENSION STYLE		SCALE	DESIGN UNITS	THIRD ANGLE PROJECTION
MM ONLY		2:1	METRIC	
DRAWN BY	DATE	TITLE		
JMENDOZA	2012/08/24	IMPACT 5 PAIR ORTHO MATE		
CHECKED BY	DATE	UNGUIDED HEADER ASSY		
TELO	2012/12/03	SALES DRAWING		
APPROVED BY	DATE	MATERIAL NO.		
JB INGHAM	2013/02/06	SEE CHART		
MATERIAL NO.		DOCUMENT NO.	SHEET NO.	
		SD-76989-0001	3 OF 3	

MOLEX INCORPORATED	
THIS DRAWING CONTAINS INFORMATION THAT IS PROPRIETARY TO MOLEX INCORPORATED AND SHOULD NOT BE USED WITHOUT WRITTEN PERMISSION	