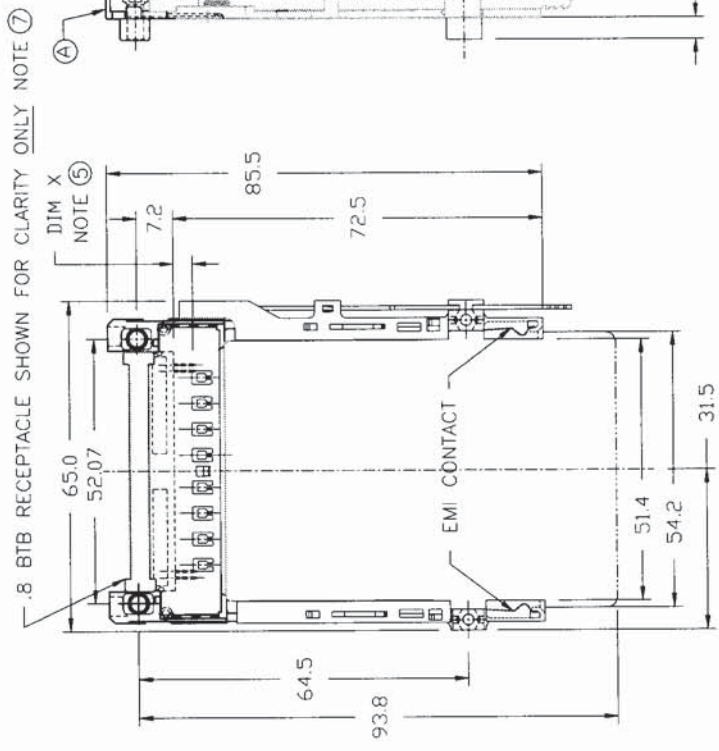
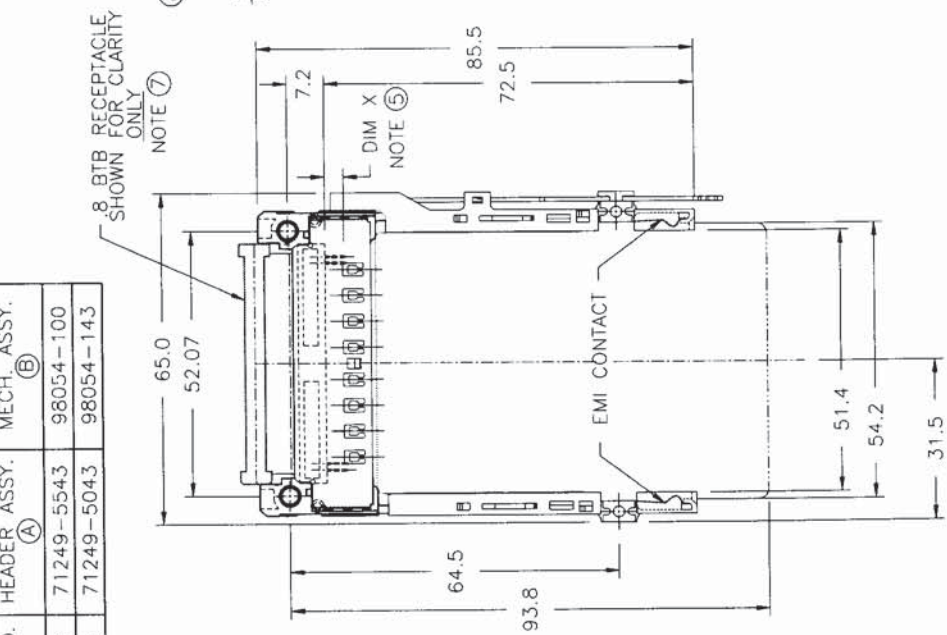
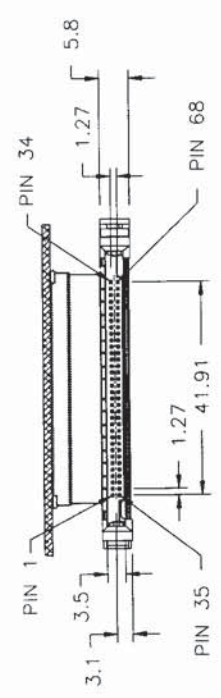
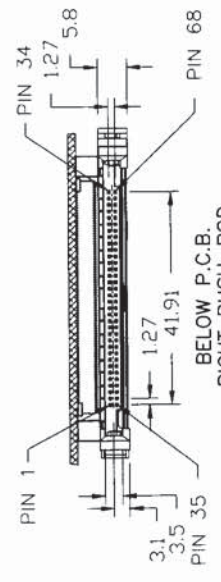


1 | 2 | 3 | 4

PRODUCT NO.	HEADER ASSY. (A)	MECH. ASSY. (B)
98055-545	71249-5543	98054-100
98055-540	71249-5043	98054-143



A



BELOW P.C.B.  
RIGHT PUSH-ROD  
98055-545

4  
3  
3  
4

Tous droits strictement réservés. Reproduction ou communication à des tiers interdite sans que que forme que ce soit sans autorisation écrite du propriétaire. Property of ©BERG ELECTRONICS. Droits de reproduction BERG ELECTRONICS INC.



All rights strictly reserved. Reproduction or issue to third parties in any form whatever is not permitted without written authority from the proprietor. Property of ©BERG ELECTRONICS. Copyright BERG ELECTRONICS INC.

form no. 7530-001-103

1 | 2

mot'l. code			tolerances unless otherwise specified		CUSTOMER COPY		BERG ELECTRONICS	
ltr	ectn no	dr	date		projection	title	product	code
A	V90587	CCC	2/25/99	.X ±.3 .XXX ±.051 0° ±2°	mm	WITHOUT PUSH BUTTON	MCS	
					engr	G.CLEMENS	family	code
					chr	D.BRANN	size	sheet
					appd	D.BRANN	dwg no	1 of 2
sheet	revision		A	1	2	scale		1 of 2
index			A	1	2	1:1	98055	
						cage code 22526		
						22526		

PDM: Rev:A STATUS Released Printed: Oct 12, 2010

HEADER PINOUT	BTB 100 POS RECEPTACLE	BTB 100 POS RECEPTACLE	BTB 100 POS RECEPTACLE	BTB 100 POS RECEPTACLE	BTB 100 POS RECEPTACLE	BTB 100 POS RECEPTACLE
HEADER PINOUT	TYPE	TYPE	TYPE	TYPE	TYPE	TYPE
1	GND	1	GND	51	GND	4 & 54
2	SIG	2	DET	52	GND	7 & 57
3	SIG	3	SIG	53	GND	10 & 60
4	SIG	5	SIG	55	GND	13 & 63
5	SIG	6	SIG	56	GND	16 & 66
6	SIG	8	SIG	58	GND	19 & 69
7	SIG	9	SIG	59	GND	22 & 72
8	SIG	11	SIG	61	GND	25 & 75
9	SIG	12	SIG	62	GND	26 & 76
10	SIG	14	SIG	64	GND	29 & 79
11	SIG	15	SIG	65	GND	32 & 82
12	SIG	17	SIG	67	GND	35 & 85
13	SIG	18	SIG	68	GND	38 & 88
14	SIG	20	SIG	70	GND	41 & 91
15	SIG	21	SIG	71	GND	44 & 94
16	SIG	23	SIG	73	GND	47 & 97
17	PWR	24	PWR	74		
18	SIG	27	SIG	77		
19	SIG	28	SIG	78		
20	SIG	30	SIG	80		
21	SIG	31	SIG	81		
22	SIG	33	SIG	83		
23	SIG	34	SIG	84		
24	SIG	36	SIG	86		
25	SIG	37	SIG	87		
26	SIG	39	SIG	89		
27	SIG	40	SIG	90		
28	SIG	42	SIG	92		
29	SIG	43	SIG	93		
30	SIG	45	SIG	95		
31	SIG	46	SIG	96		
32	SIG	48	SIG	98		
33	SIG	49	DET	99		
34	GND	50	GND	100		

NOTES:

- 8mm MIN CARD EJECT.
- EJECT TRAVEL: 9.5mm
- MATERIAL:  
3.1 HEADER ASSY: PLASTIC HOUSING: LCP UL94V-0 NATURAL (WHITE) - BELOW PCB  
PIN: PHOSPHOR BRONZE  
PCB: FR4  
3.2 EJECT MECHANISM ASSY:  
PLASTIC GUIDE: POLYPHTHARAMID UL94V-0 BLACK  
COVER PLATE, EJECT PLATE, LINK ARM,  
PUSH ROD: STAINLESS STEEL  
EMI CONTACT: PHOSPHOR BRONZE  
3.3 .8 BTB RECEPTACLE: (73277-101000)  
PLASTIC: LCP 94V-0 BLACK  
CONTACT: BeCu
- FINISH (PIN)  
UNDER PLATING: 0.5um Ni  
CONTACT AREA: 0.1um GOLD OVER  
0.5um Pd-Ni  
SOLDER TAIL: 2.5um Sn-Pb

⑤ DIM "X"

4.25±0.1	3.5±0.1	5.0±0.1
OTHERS	36.67	1.17,34,35,51,68

- RECOMMENDED SCREW TORQUE: 1.0 TO 1.5 MAX in.-lbs. (1.2-1.7 cm-kgs).  
RECOMMENDED HOLD-DOWN: 2mm SCREWS AND HEX NUTS.  
SEE DRAWINGS 95121 AND 92869 FOR CHARTED INFORMATION.
- ORDER MATING RECEPTACLE P/N 73277-101000 SEPARATELY.
- REFER TO TA-1050, PAGE 2, FOR PCB LAYOUT.

mat'l. code		tolerances unless otherwise specified		CUSTOMER COPY		<b>BERG ELECTRONICS</b>	
lir	ecn no	dr	date	linear	projection	title	product family
A				.XX ±.13		CARDBUS ASSEMBLY WITHOUT PUSH BUTTON	MCS
				.XXX ±.051	mm	size	dwg no
				angles: 0° ±2°	scale	A4	98055
				dr G.CLEMENS 2/25/99	1:1	code	
				enfr D.BRANN 2/25/99		sheet	2 of 2
				chr D.BRANN 2/25/99			
				appd D.BRANN 2/25/99			
sheet index	revision	sheet				code	
						22526	