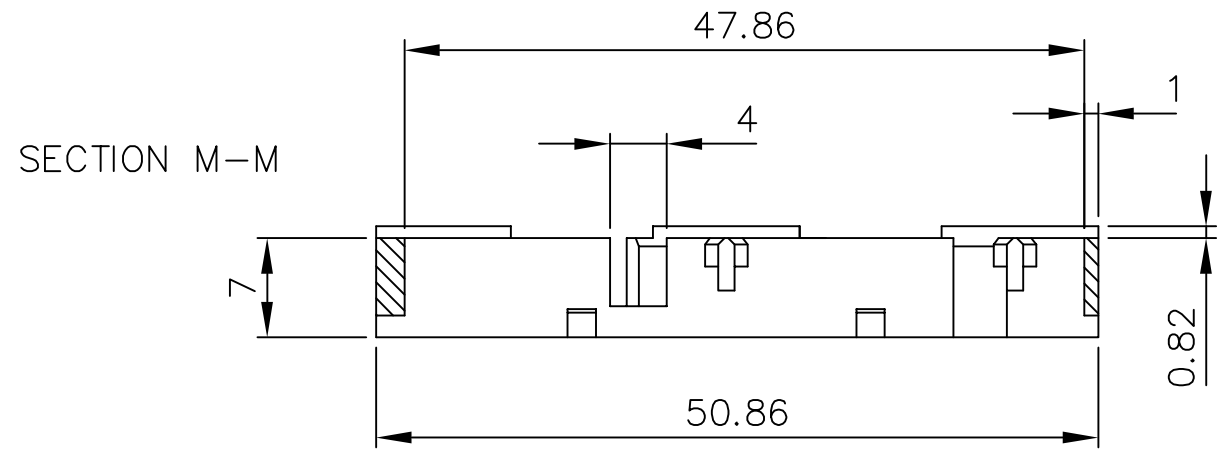
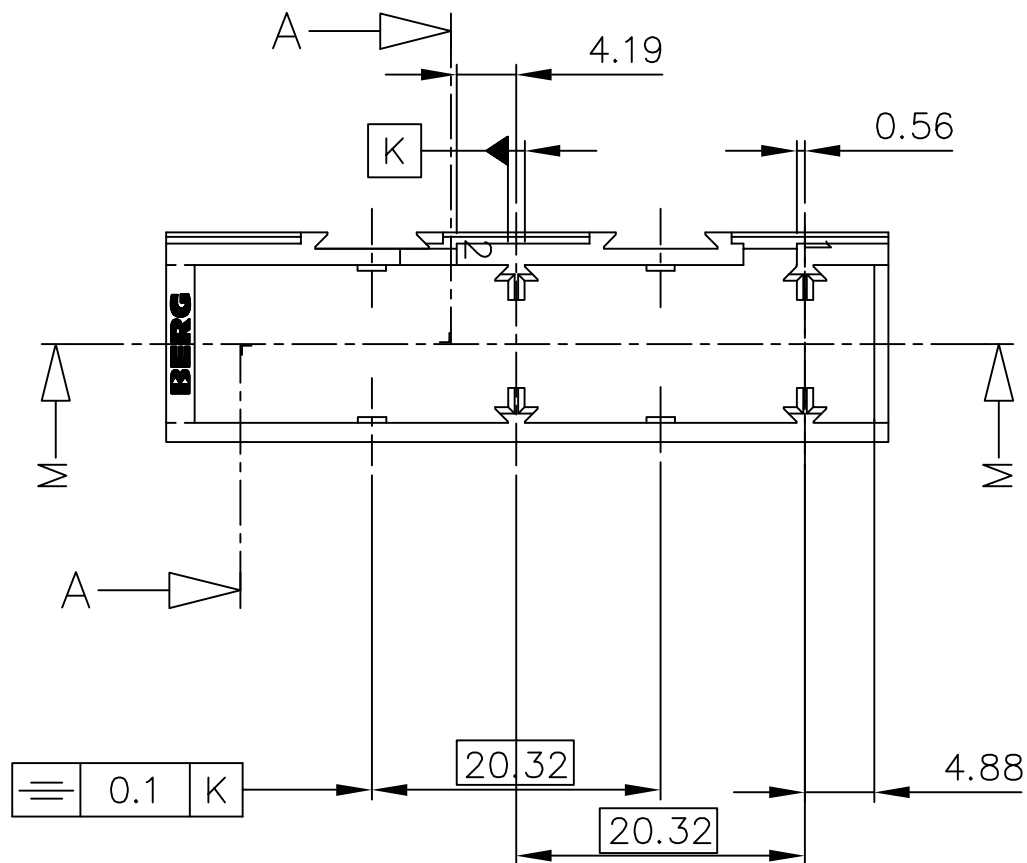
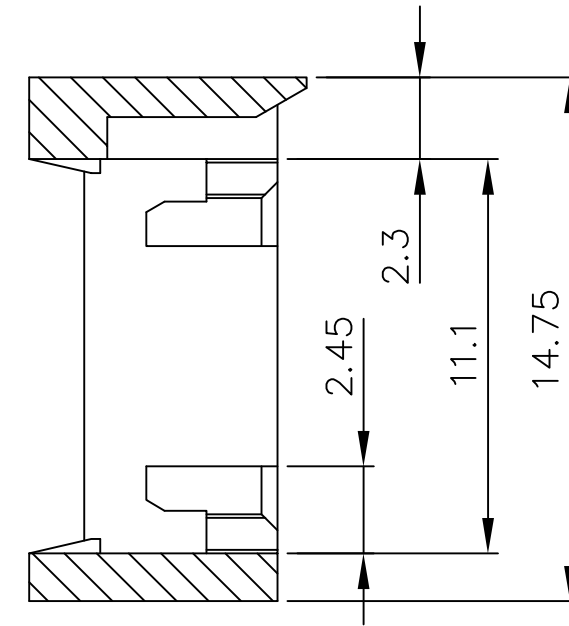


PRODUCT NUMBER	MATERIAL	COLOUR	FLAME RETARDANT
85261-001	PPO	BLACK	UL-94-V1



SECTION A-A
Scale 5:1



NOTES:-

1. THIS PRODUCT MEETS EUROPEAN UNION DIRECTIVES AND OTHER COUNTRY REGULATIONS AS DESCRIBED IN GS-22-008.
2. LEADFREE OR RoHS DIRECTIVE LABELLING TO BE PROVIDED AS PER GS-14-920.
3. " LF " SUFFIX TO PRODUCT NUMBER FOR RoHS COMPATIBLE/ LEADFREE VERSION.
4. PARTS WITH AND WITHOUT "LF " SUFFIX ARE FORM-FIT AND FUNCTIONALLY IDENTICAL. " LF " SUFFIX PROVIDED FOR PART NUMBER STANDARDISATION OF PART THAT MEETS RoHS REQUIREMENTS.

mat'l. code		surface		tolerance		projection		product family		
SEE NOTE		ISO 1302		ISO 406 ISO 101		101		Backpanel		
ltr	ecn no	dr	date	tolerances unless otherwise specified		mm		title		
A	H40357	RBE	1994-05-27	angles		linear		LOCKING FRAME		
B	F00406	LLA	2000-05-22	linear		linear		MOD. 3x16		
C	05-0123	MINI	2005-07-27	linear		linear		scale -		
D	05-0248	MINI	2005-11-22	dr	D.LEGRAND	2000-10-10	FCJ		dwg no	
E	06-0083	MINI	2006-06-01	engr	J.F.NOTTEAU	2000-10-10	sheet 1 of 1		size	
sheet		revision		chr		app		85261		A2
index		sheet		rakhee GEORGE		rakhee GEORGE		type		CUSTOMER Drawing
1		E		2006-06-01		2006-06-01		CUSTOMER Drawing		