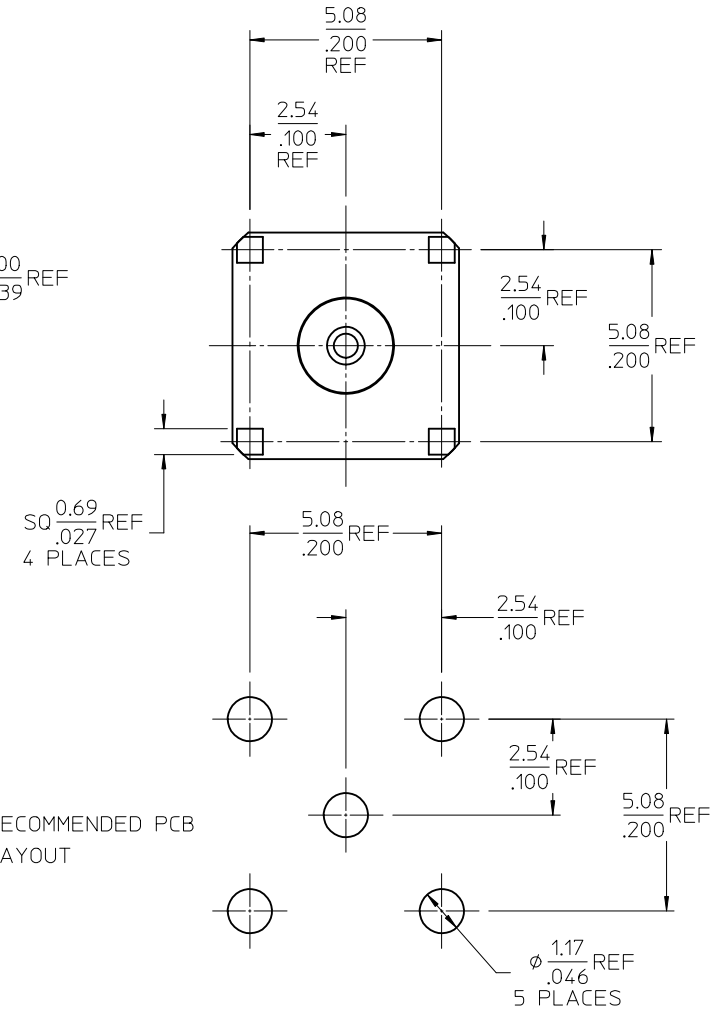
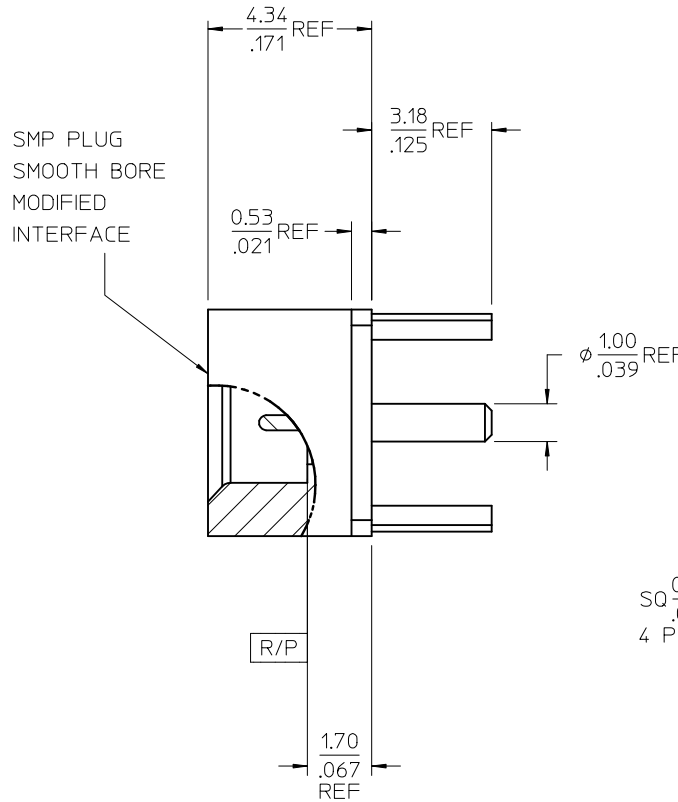
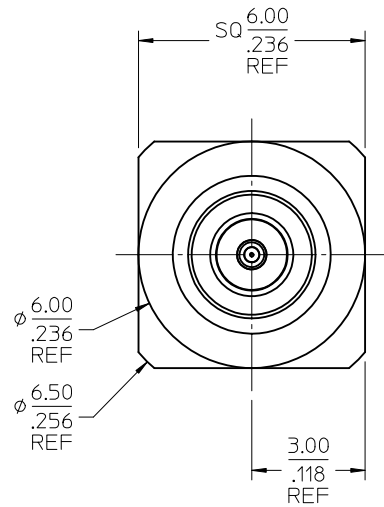
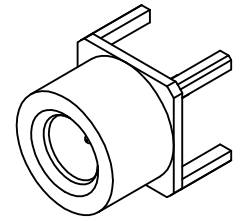


MATERIALS AND FINISHES

BODY: BRASS
PLATED GOLD (10 MICROINCHES MIN)

CENTER CONTACT: BRASS
PLATED GOLD (30 MICROINCHES MIN)

INSULATOR: TEFLON



PART # 73415-5310

CHG: UPDATED
FRAME.
ADDED SHT 2.
ADDED DIMENSIONS.

EC NO: URF2012-0762
DRWN:ROBERTSON 2012/06/15
CHKD:SSS 2012/06/15
APPR:WIENER 2012/06/15

DESCRIPTION
QUALITY SYMBOLS

GENERAL TOLERANCES (UNLESS SPECIFIED)

	mm	INCH
4 PLACES	± .005	± .0005
3 PLACES	± .005	± .0005
2 PLACES	± .005	± .0005
1 PLACE	± .005	± .0005
0 PLACE	± .005	± .0005

ANGULAR ± 2 °
DRAFT WHERE APPLICABLE
MUST REMAIN
WITHIN DIMENSIONS

DIMENSION STYLE
MM/IN

DRAWN BY	DATE
SSS	2005/04/19
CHECKED BY	DATE
TEF	2005/04/19
APPROVED BY	DATE
JDW	2005/04/19

MATERIAL NO.
734155310

SCALE
DESIGN UNITS
METRIC

THIRD ANGLE PROJECTION

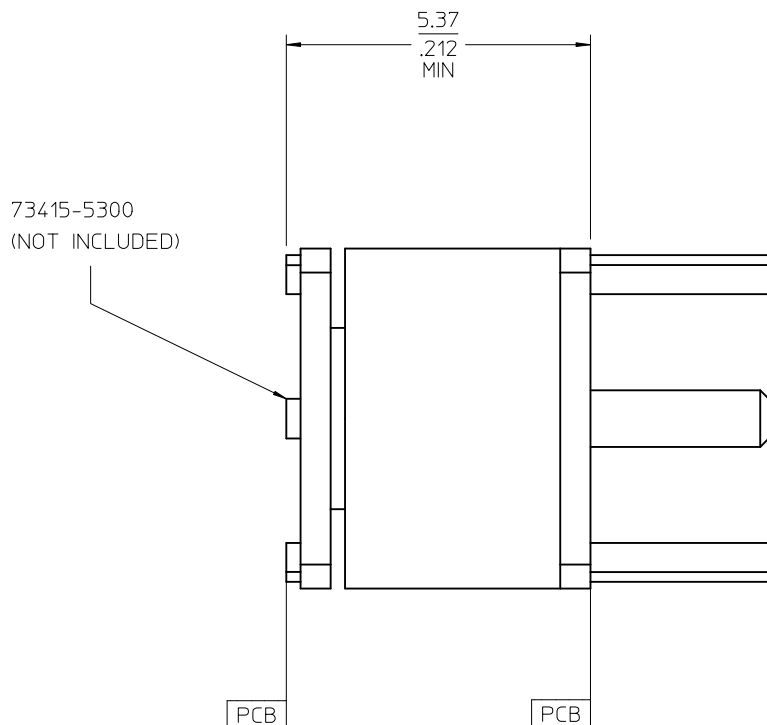
TITLE
**SMP PLUG SB MOD INTERF
PCB TH VERT 50 OHM
SMP-P/PCB, EWR-2735**

molex

DOCUMENT NO.
SD-73415-531

SHEET NO.
1 OF 2

73415-5300 MATED TO 73415-5310



CHG: SEE SHEET 1. EC NO: URF2012-0762 DRWN: ROBERTSON 2012/06/15 CHKD: SSS 2012/06/15 APPR: JWIENER 2012/06/15	QUALITY SYMBOLS	GENERAL TOLERANCES (UNLESS SPECIFIED)		DIMENSION STYLE		SCALE	DESIGN UNITS	THIRD ANGLE PROJECTION	
	▽=0	mm	INCH	MM/IN			METRIC		
	▽=0	4 PLACES ±	---	±	---	DRAWN BY	DATE	TITLE	
	▽=0	3 PLACES ±	---	±	---	CHECKED BY	DATE	SMP PLUG SB MOD INTERF	
		2 PLACES ±	---	±	---	TEF	2005/04/19	PCB TH VERT 50 OHM	
		1 PLACE ±	---	±	---	APPROVED BY	DATE	SMP-P/PCB, EWR-2735	
		0 PLACE ±	---	±	---	JDW	2005/04/19	molex	
		ANGULAR ± 2 °		MATERIAL NO.		DOCUMENT NO.		SHEET NO.	
		DRAFT WHERE APPLICABLE MUST REMAIN WITHIN DIMENSIONS		734155310		SD-73415-531		2 OF 2	
				SIZE C		THIS DRAWING CONTAINS INFORMATION THAT IS PROPRIETARY TO MOLEX INCORPORATED AND SHOULD NOT BE USED WITHOUT WRITTEN PERMISSION			