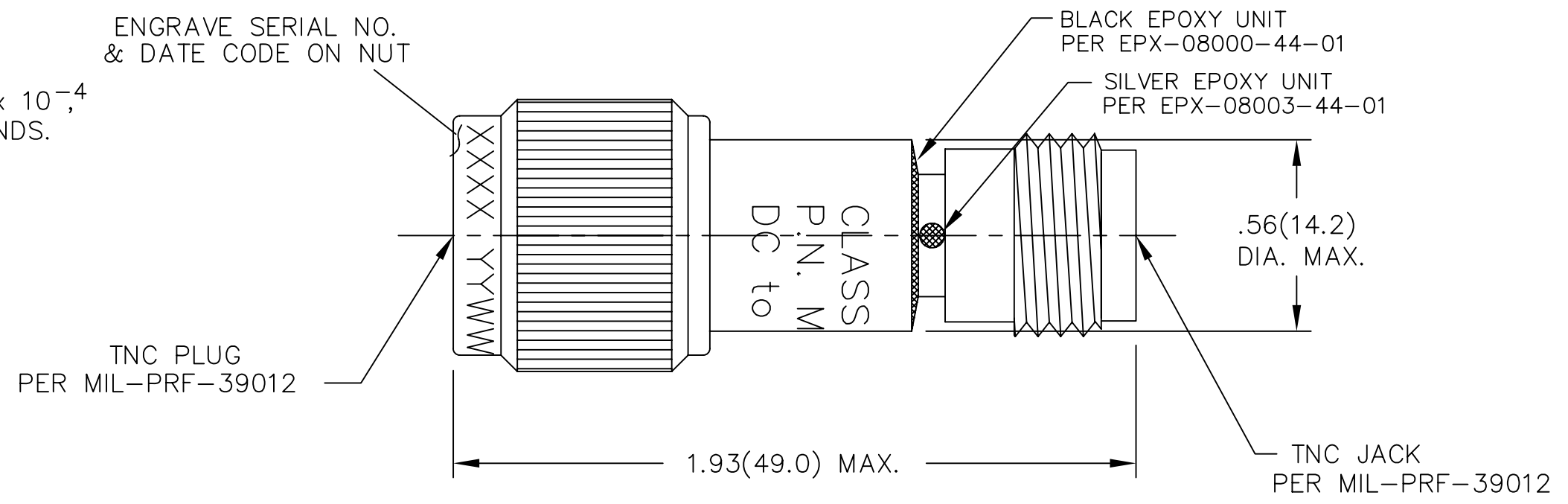


NOTES:
 1.0 ELECTRICAL SPECIFICATIONS:
 1.1 FREQUENCY RANGE:
 M3933/17-01 thru 06: DC to 4.5 GHz
 M3933/17-07 thru 24: DC to 18.0 GHz
 1.2 ATTENUATION ACCURACY: SEE TABLE
 1.3 VSWR (MAX): (BOTH ENDS)
 M3933/17-01 thru 06: 1.25:1
 M3933/17-07 thru 24:
 DC to 4.0 GHz: 1.15:1
 4.0 to 8.0 GHz: 1.20:1
 8.0 to 12.4 GHz: 1.25:1
 12.4 to 18.0 GHz: 1.35:1
 1.4 INPUT POWER:
 POWER INPUT IS DERATED LINEARLY TO
 0.5 WATTS AT +125°C.
 M3933/17-01 thru 06: 4 WATTS AVG.
 M3933/17-07 thru 24: 2 WATTS AVG.

| | | |
|--------------------------|----------------|--------------------|
| -12 | 4 | ±0.4 |
| -11 | 3 | ±0.4 |
| -10 | 2 | ±0.4 |
| -09 | 1 | ±0.4 |
| -08 | 30 | ±0.9 |
| -07 | 20 | ±0.6 |
| -06 | 6 | ±0.4 |
| -05 | 5 | ±0.4 |
| -04 | 4 | ±0.4 |
| -03 | 3 | ±0.4 |
| -02 | 2 | ±0.4 |
| -01 | 1 | ±0.3 |
| M3933/17-XX MODEL NO. | (dB) ATTEN. | ATTEN. ACCURACY |

| | | |
|--------------------------|----------------|--------------------|
| -22 | 40 | ±1.0 |
| -21 | 35 | ±0.9 |
| -20 | 25 | ±0.8 |
| -19 | 15 | ±0.5 |
| -18 | 12 | ±0.5 |
| -17 | 10 | ±0.5 |
| -16 | 8 | ±0.5 |
| -15 | 7 | ±0.5 |
| -14 | 6 | ±0.4 |
| -13 | 5 | ±0.4 |
| M3933/17-XX MODEL NO. | (dB) ATTEN. | ATTEN. ACCURACY |

1.5 PEAK POWER: 0.2 KILOWATTS
 PEAK POWER FOR A DUTY CYCLE OF 5×10^{-4} ,
 MAX. PULSE DURATAION OF 5 MICRSECONDS.
 2.0 MARKING: MARK UNIT AS SHOWN
 (REF.: INK-09208-27-XX)
 3.0 DIMENSIONS IN PARENTHESIS ARE IN
 MILLIMETERS.
 4.0 TESTING:
 SCREENED PER ATP-07839-60-01
 NON-SCREEN PER ATP-09210-60-01



| DATE | 2/3/95 | 5/4/95 | 1/15/04 | 3/10/06 |
|-------------|----------|-----------|-----------|-----------|
| DESCRIPTION | RELEASED | ECN 14461 | ECN 19574 | ECN 20764 |
| REV. | A | B | C | |

5.0 BAG MARKING:
 MODEL M3933/17-XX (N or S) ← SEE MODEL NO. FOR LAST 3 DIGITS
 ATTENUATOR FIXED COAXIAL LINE
 YY WATTS AVERAGE INPUT POWER
 FREQ. RANGE: DC-ZZ GHz ← SEE TABLE
 MFR 34078
 LOT NO. _____
 DATE CODE: [YYWW] ← YEAR & WEEK
 SEE TABLE

| | | | | | |
|--|--|---|--|---------------------------------------|--|
| UNLESS OTHERWISE NOTED DIMENSIONS ARE IN INCHES AND TOLERANCES ARE: | | FSCM NO. 34078 | | MIDWEST MICROWAVE | |
| 3 PLACE DECIMALS ±.005 2 PLACE DECIMALS ±.02 FRACTIONS ±1/64 PARALLELITY: T.I.R. _____ FLATNESS: T.I.R. _____ CONCENTRICITY: T.I.R. _____ ANGLES AND PERPENDICULARITY: ±1° | | NOTICE: The information contained in this drawing is proprietary and must not be used without the permission of Midwest Microwave | | TITLE ATTENUATOR | |
| DRAWN/DATE A.BEATTY 1/27/95 | | ENG./DATE G.KOZAK 2/3/95 | | DRAWING NUMBER M3933/17-XX(N or S) | |
| CHECKED/DATE M.HOLLMAN 2/3/95 | | APPROVED/DATE | | SCALE: 3=1 SHEET 1 of 1 | |