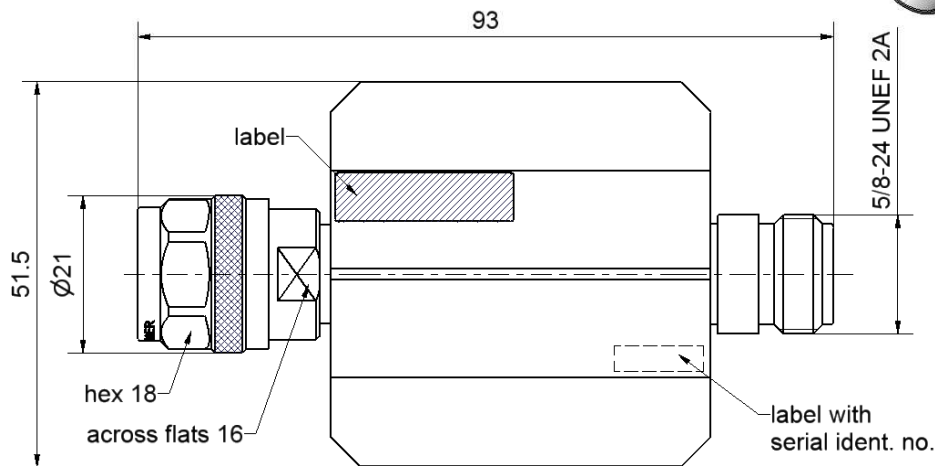


N 50 Ω

Attenuator  
Plug / Jack 20 Watt

**53AS120-K30N3**



All dimensions are in mm; tolerances according to ISO 2768 m-H

**Interface**

According to IEC 61169-16

**Documents**

N/A

**Material and plating**

**Connector parts**

- Center conductor - plug
- Center conductor - jack
- Outer conductor
- Coupling nut
- Heatsink
- Dielectric
- Substrate

**Material**

- Brass
- Beryllium copper
- Brass
- Brass
- Aluminum
- PTFE
- AlN

**Plating**

- Gold, min. 1.27  $\mu\text{m}$ , over nickel
- Gold, min. 1.27  $\mu\text{m}$ , over nickel
- Flash white bronze over silver(e.g. Optargen®)
- White bronze(e.g. Optalloy®)
- Black anodized

N 50 Ω

Attenuator  
Plug / Jack 20 Watt

**53AS120-K30N3**

**Electrical data**

Impedance 50 Ω  
 Frequency DC to 10 GHz  
 Return loss ≥ 26.4 dB, DC to 2 GHz  
 ≥ 21.2 dB, 2 GHz to 5 GHz  
 ≥ 14.0 dB, 5 GHz to 10 GHz  
 Attenuation 30 dB ± 0.4 dB, DC to 2 GHz  
 30 dB ± 0.5 dB, 2 GHz to 4 GHz  
 30 dB ± 1.75 dB, 4 GHz to 10 GHz  
 Power handling (at 25 °C, sea level) ≤ 20 W, derated linearity by 0.2 W/K

**Mechanical data**

Mating cycles ≥ 500  
 Coupling nut retention ≥ 450 N  
 Center contact captivation ≥ 28 N  
 Coupling test torque ≤ 1.7 Nm  
 Recommended torque 0.7 Nm to 1.1 Nm

**Environmental data**

Temperature range -65 °C to +125 °C  
 RoHS compliant

**Tooling**

N/A

**Suitable cables**

N/A

**Packing**

Standard 1 pce in air cushion bag  
 Weight 270 g/pce

While the information has been carefully compiled to the best of our knowledge, nothing is intended as representation or warranty on our part and no statement herein shall be construed as recommendation to infringe existing patents. In the effort to improve our products, we reserve the right to make changes judged to be necessary.

Draft	Date	Approved	Date	Rev.	Engineering change number	Name	Date
Kerstin Herzog	05.08.05	Markus Müller	20.07.18	c00	18-1027	Marion Striegler	20.07.18
Rosenberger Hochfrequenztechnik GmbH & Co. KG P.O.Box 1260 D-84526 Tittmoning Germany www.rosenberger.de						Tel. : +49 8684 18-0 Email : info@rosenberger.de	
							Page 2 / 2