



Expertise Applied | Answers Delivered



CIRCUIT  
PROTECTION  
SOLUTIONS FOR  
AUTOMOTIVE  
APPLICATIONS



# Transportation

**Automotive • Commercial Vehicle Products (CVP)**

## Power Distribution Centers



|   |            |
|---|------------|
| <b>Flexible Electrical Center</b>                         | <b>92</b>  |
| FLEC™ Flexible Electrical Center                          | 92         |
| <b>Hard-Wired Power Distribution Centers</b>              | <b>94</b>  |
| HWB60-SEALED Hard-Wired Modules (MINI Style)              | 94         |
| <b>Bussed Power Distribution Modules</b>                  | <b>95</b>  |
| 5 Position Block Fuse Holder for ATO® Style Blade Fuse    | 96         |
| 2+2 MINI® Fuse and JCASE® Holder                          | 97         |
| <b>Junction Blocks</b>                                    | <b>98</b>  |
| High Current Single Stud Feed-Thru                        | 99         |
| Single Stud Junction Blocks (Feed-Thru and Non-feed-Thru) | 100        |
| <b>POWR-BLOK™ Modules</b>                                 | <b>102</b> |
| POWR-BLOK™ Modules: Introduction                          | 103        |
| Fuse Modules  | 104        |
| Relay Modules   | 109        |
| Specialty Modules   | 114        |
| Assembly/Mounting Accessories                             | 119        |
| Terminals   | 123        |
| Terminal Loks   | 130        |

# FLEC™ FLEXIBLE ELECTRICAL CENTER

**RoHS**



## Description

The Flexible Electrical Center (FLEC™) is a configurable power distribution module for the heavy transportation (OTB) market. It accommodates circuit protection components in a compact, sealed footprint. Your custom electrical schematic is programmed into the FLEC™ to create a simple “plug-and-play” system.

Each program is reviewed by Littelfuse for proper ratings, thermal loading, and application. The FLEC™ mates to an industry standard connection system to provide a robust solution for heavy duty environments.

Contact Littelfuse for further information on FLEC™.

## Specifications

|                              |  |
|------------------------------|--|
| Input Terminals:             | (3) M8 or 3/8" input studs rated up to 100A each (*total input current dependent on customer-provided load matrix) |
| Output Terminals:            | (38) 1.5mm blades (for 15A fuse)<br>(38) 2.8mm blades (for 25A fuse)   |
| Termination:                 | Uses Delphi GT series terminals and connectors (sealed)  |
| Input Stud Torque:           | 12-18Nm  |
| Mounting Torque:             | 6-8Nm  |
| Materials:                   | UL94V-0 Thermoplastic with RoHS-compliant PCB; High-temp silicone cover gasket and stud caps; Plated-Cu terminals  |
| Operating Temperature Range: | -40°C to 85°C  |
| Ingress Protection Rating:   | IP67   |

## Features and Benefits

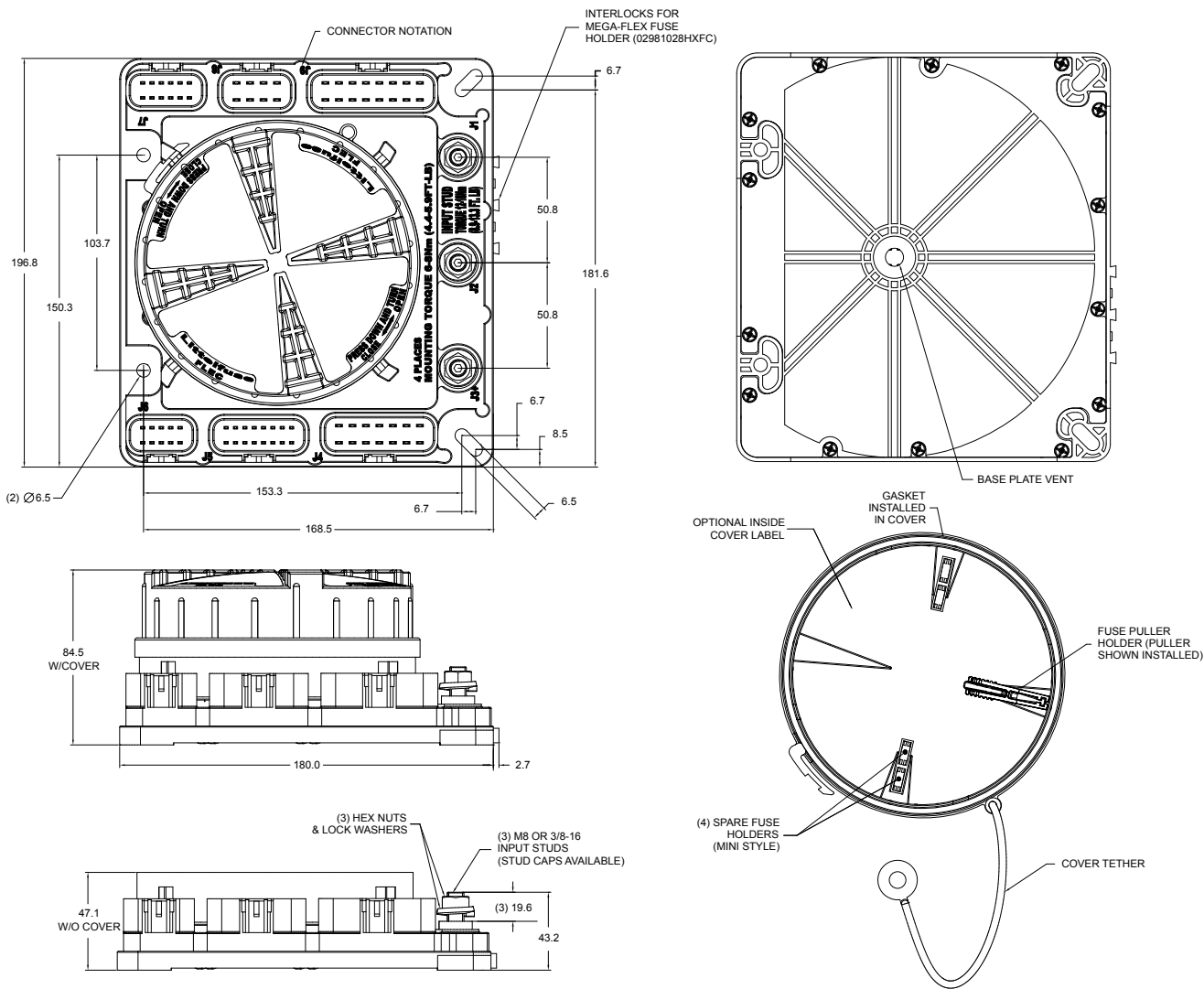
|                         |   |
|-------------------------|---|
| Cover:                  | Twist-on cover design allows for single-hand installation and removal   |
| PCB:                    | Multi-layer board allows for custom circuit configurations  |
| Base:                   | Includes vent for pressure equalization   |
| High Component Density: | Accepts multiple component footprints (i.e. MINI®, JCASE®, PCB-mount, etc.) in one package; PCB-mount components can be installed directly to PCB (i.e. diodes, resistors, relays) for space and cost savings |
| InputProtection:        | MEGA® fuse can be installed across M8 input studs to protect multiple circuits in FLEC™; Additional MEGA-FLEX holder can be interlocked to FLEC™ for added fuse protection                                    |
| Accessories:            | Fuse puller included in cover<br>Input stud caps provided (red and black)<br>Spare MINI® fuse positions available in cover<br>Cover tether included   |

# FLEC™ FLEXIBLE ELECTRICAL CENTER

RoHS

## Dimensions

Dimensions in mm



# HWB60-SEALED HARD-WIRED MODULES (MINI STYLE)

**RoHS**

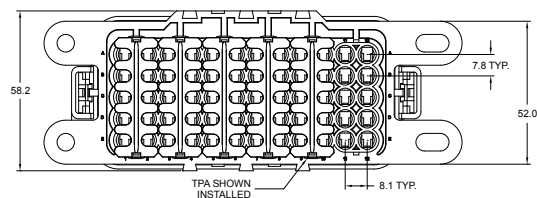
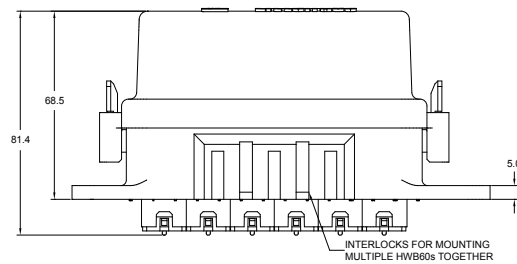
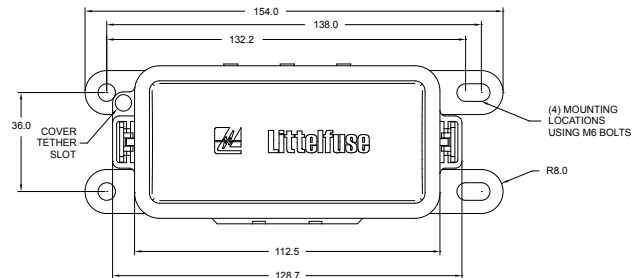


## Specifications

|                             |  |
|-----------------------------|--|
| Max Fuse Size:              | 30A  |
| # of Cavities:              | 60   |
| Compatible Relay Types:     | 280 footprint micro & mini                               |
| Mounting Torque:            | 6-8Nm using M6 bolts and hardware                        |
| Materials:                  | UL 94V-0 glass-filled thermoplastic with silicone gasket |
| Labels:                     | Module & cover options                                   |
| Accessories:                | Spare fuse and fuse puller holder; Cover tether; TPA     |
| Mating Terminals and Seals: | Delphi Metri-Pack 280 Sealed Female                      |
| Wire Sizes:                 | 0.35 - 5.0mm <sup>2</sup>                                |

## Dimensions

Dimensions in mm (subject to change)



## Description

The HWB60 is a hard-wired module for use with 280 style components (i.e. mini-fuses, relays, diodes, resistors, etc.) It features 60 cavities creating a high density fuse module with a compact footprint. Without internal bussing, it allows the flexibility of custom circuitry by the end user. Wires simply plug into the back of the module using sealed Delphi Metri-Pack Series 280 tanged terminals.

Sealing in the cover and around the wires allow for use in extreme environments. Dovetail features on the sides of unit allow the user to stack multiple HWB60's together to increase their circuit protection package. These same dovetails can also be used to attach an add-on component that holds a fuse puller and spare fuses. Cover tethers and TPAs (terminal position assurance locks) are also available.

Alternative component footprints may be available. Contact Littelfuse for more information.

## Ratings

| Part Number | Description  |
|-------------|--|
| PDM21001LXM | Complete Assembly (Base, Cover, Gasket, and 6 TPAs shipped bulk) |
| 868-163     | Base   |
| 873-029     | Cover  |
| 901-315     | Gasket   |
| 883-083     | TPA  |



# 5 POSITION BLOCK FUSE HOLDER

for ATO® Style Blade Fuse

**RoHS**



## Description

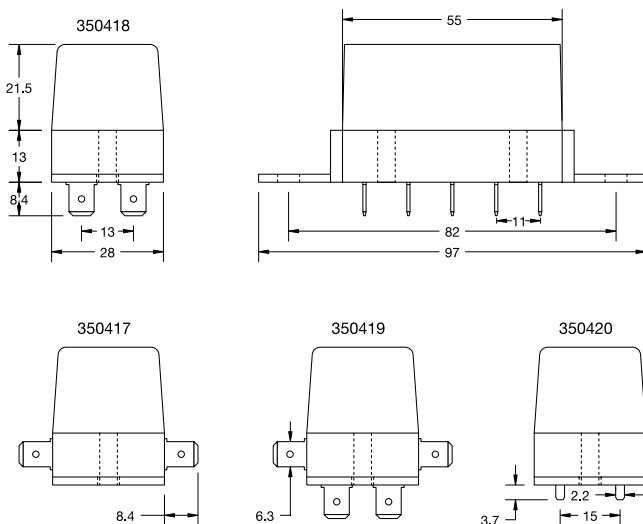
Use with ATO® fuses up to 15A. Available in 5 pole unit with removable clear protective cover. Available in side or bottom positioned ¼" Q.C. terminal configurations. Unit with bottom Q.C. terminals includes detachable side mounting brackets.

## Ordering Information

| Part Number | Package Size |
|-------------|--------------|
| 03500417TXN | 10           |
| 03500417Z   | 120          |
| 03500418TXN | 10           |
| 03500418Z   | 180          |
| 03500419TXN | 10           |
| 03500419Z   | 150          |
| 03500420TXN | 10           |
| 03500420Z   | 250          |

## Dimensions

Dimensions in mm



## Ratings

| Part Number | Description  | Fuse Rating |
|-------------|--|-------------|
| 03500418_   | ATO® block 5 positions, vertical contacts              | 15 A        |
| 03500419_   | ATO® block 5 positions, horizontal + vertical contacts | 15 A        |
| 03500420_   | ATO® block 5 positions, P.C. Board contacts            | 15 A        |
| 03500417_   | ATO® block 5 positions, horizontal contacts            | 15 A        |

Corresponding fuse links see Section "Blade Fuses."

# 2+2 MINI® FUSE & JCASE® HOLDER

**RoHS**

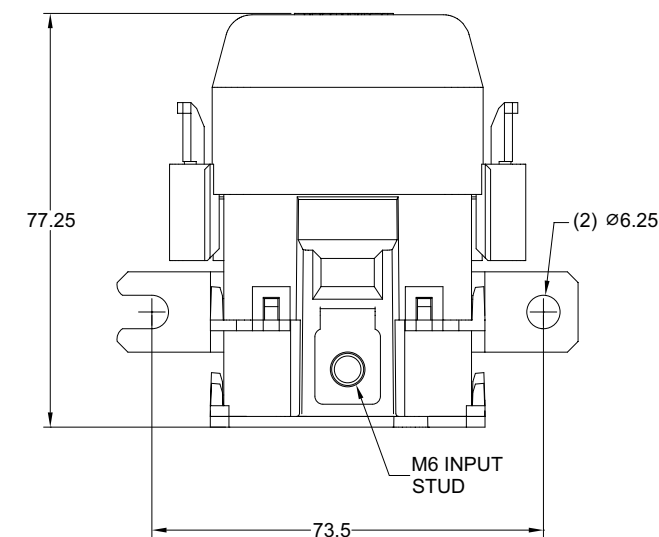
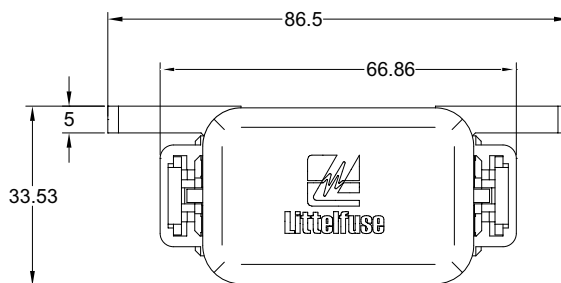


## Specifications

|                                  |                                     |
|----------------------------------|-------------------------------------|
| Mounting Torque:                 | 6-8Nm                               |
| Input Stud Torque:               | 6-8Nm                               |
| Materials: Body & Cover:         | UL 94V-0 Thermoplastic              |
| Stud:                            | Zinc-plated steel                   |
| Bus Bar:                         | Tin-plated copper                   |
| Gasket:                          | Silicone                            |
| Mating Terminals & Seals Series: |                                     |
| JCASE®:                          | Delphi Ducon 6.3 Sealed Male        |
| MINI®:                           | Delphi Metri-Pack 280 Sealed Female |

## Dimensions

Dimensions in mm  
(Subject to change)



## Description

The 2+2 MINI® Fuse & JCASE® Holder accommodates two MINI® fuses and two JCASE® fuses. The use of these fuse types provides an amperage range of 2-60A in a compact package. The four fuses are bussed internally to the main input power stud. This allows the user to reduce wiring by making one input connection to power four fuse circuits.

The 2+2 holder is a sealed module enabling it to be used in heavy duty environments. A stud cap is provided to protect input stud area from accidental shorts. TPAs are also included to provide secondary locking of each wire terminal.

## Ratings

| Part Number  | Description  |
|--------------|--|
| BPDMA104HXF1 | Assembly (base, cover & gasket assembled; hardware, and TPAs shipped bulk) |



## Junction Blocks



|  |            |
|--|------------|
| <b>High Current Single Stud Feed-Thru</b>                          | <b>99</b>  |
| <b>Single Stud Junction Blocks (Feed-Thru &amp; Non-feed-Thru)</b> | <b>100</b> |

# HIGH CURRENT SINGLE STUD FEED-THRU

RoHS



## Description

Our 3/8" pass-thru stud has a high electrical rating and low resistance due to a large cross-sectional contact area. It also uses highly conductive materials to outperform the competition.

This pass-thru stud boasts high installation torque values to allow the use of large cable sizes for high current applications. Stud caps are included to protect from accidental shorts.

The pass-thru stud is available with red or black body and stud cap to help color-code circuits in the vehicle. A plastic body locknut ensures quick and easy firewall-mount installation without the need for additional hardware.

## Ratings

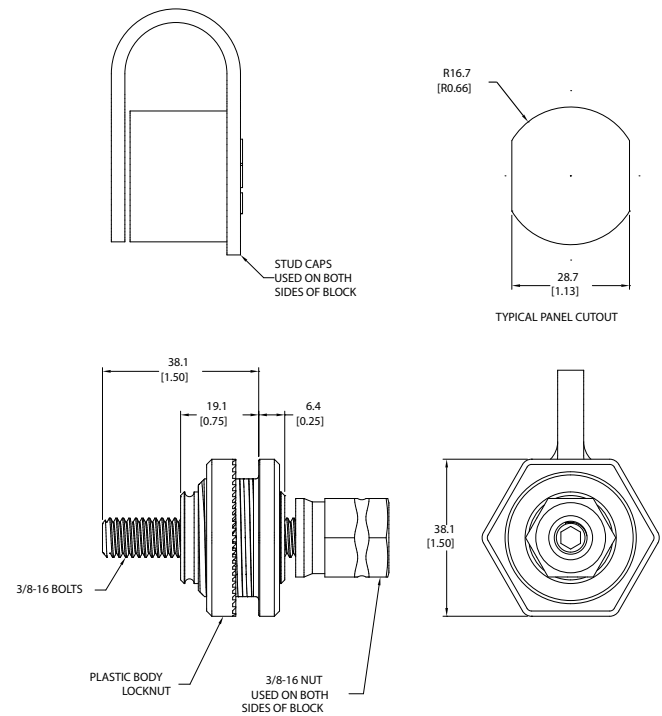
| Part Number | Color |
|-------------|-------|
| JBPT0001Z   | Red   |
| JBPT0002Z   | Black |

## Specifications

|                              |   |
|------------------------------|---|
| Rating:                      | 400A  |
| Locknut Torque:              | 54.2 Nm   |
| Body Mounting Nut Torque:    | 13.6 Nm   |
| Materials:                   | Body-Nylon 66 (120°C)<br>Contact - Copper 110<br>Studs - Zinc-plated steel<br>Locknut - Zinc-plated steel<br>Body nut - Nylon 66<br>Stud caps - PVC |
| Operating Temperature Range: | -40°C - 125°C   |

## Dimensions

Dimensions in mm



# SINGLE STUD JUNCTION BLOCKS (FEED-THRU & NON-FEED-THRU)

RoHS



## Specifications

Materials:

Body: UL 94V-0 Thermoplastic

Stud: Stainless steel

Hardware:

Conductive Core: Plated copper

Lockwashers and nuts available;

Protective stud caps available (red or

black to match body color)

Various available options

Thread Sizes:

Operating Temperature Range:

-40°C - 125°C

## Description

Junction Blocks are used as electrical connection points for the distribution of power or ground. These blocks can simplify cabling & architectures, and serve as convenient power tap points. Feed-thru versions enable firewall-mount applications and help reduce wiring costs and overall space required for cable routing.

Junction blocks are available in various thread sizes and lengths. Lock washers and nuts are included with each block. Stud caps are also available for protection from accidental shorts.

Contact Littelfuse for more sizes not shown.

# SINGLE STUD JUNCTION BLOCKS (FEED-THRU & NON-FEED-THRU)

RoHS

## Dimensions

Dimensions in mm

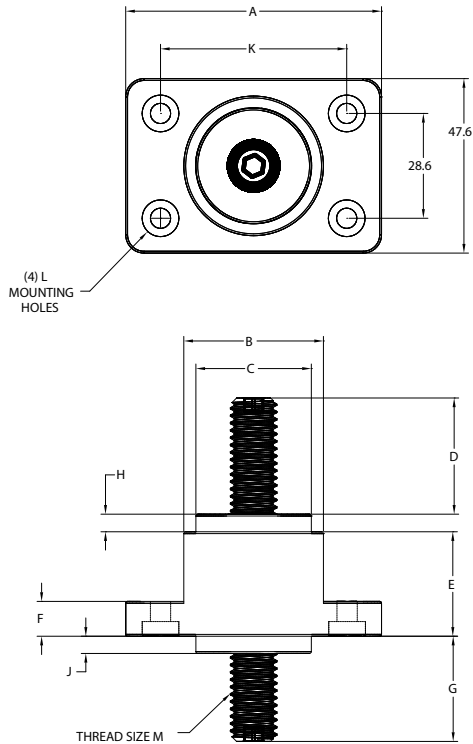


FIGURE 1

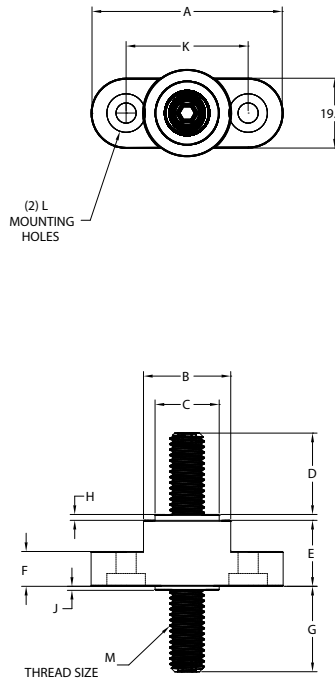


FIGURE 2

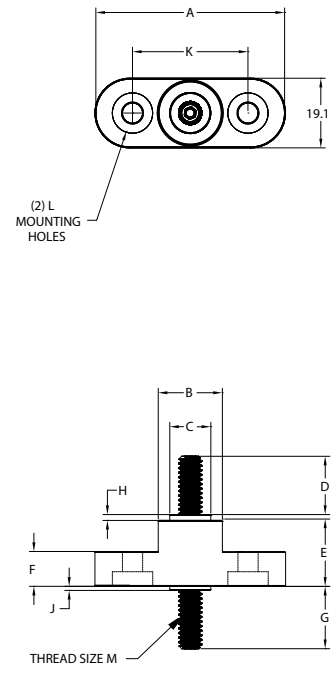


FIGURE 3

| PART NUMBER | FIGURE | A    | B    | C    | D    | E    | F   | G    | H   | J    | K    | L                                      | M       | COLOR |
|-------------|--------|------|------|------|------|------|-----|------|-----|------|------|--|---------|-------|
| JBPT2P01ZXR | 1      | 69.8 | 38.1 | 31.7 | 31.7 | 28.6 | 9.5 | 28.6 | 4.8 | 4.8  | 50.8 | ø5.6 hole with ø11.2 C'bore x 4.1 deep | ½-13    | RED   |
| JBPT2N02ZXB | 1      | 69.8 | 36.6 | 31.7 | 38.1 | 28.6 | 9.5 | NONE | 4.8 | NONE | 50.8 | ø5.6                                   | ½-13    | BLACK |
| JBPT2N03ZXB | 1      | 69.8 | 36.3 | 31.7 | 38.1 | 28.6 | 9.5 | NONE | 4.8 | NONE | 50.8 | ø5.6                                   | 5/16-18 | BLACK |
| JBPT3P01ZXB | 2      | 52.4 | 23.8 | 17.5 | 22.2 | 17.5 | 7.9 | 23.8 | 1.6 | 1.6  | 33.3 | ø5.6 hole with ø10.4 C'bore x 3.6 deep | 3/8-16  | BLACK |
| JBPT3P02ZXB | 2      | 52.4 | 22.2 | 15.9 | 15.9 | 28.6 | 7.9 | 23.8 | 1.6 | 1.6  | 33.3 | ø5.6 hole with ø10.4 C'bore x 3.6 deep | 3/8-16  | BLACK |
| JBPT3N03ZXB | 2      | 54.0 | 24.9 | 15.9 | 22.2 | 17.5 | 7.9 | NONE | 1.6 | NONE | 34.9 | ø5.6 hole with ø9.4 C'bore x 3.6 deep  | 3/8-16  | BLACK |
| JBPT3N03ZXR | 2      | 54.0 | 24.9 | 15.9 | 22.2 | 17.5 | 7.9 | NONE | 1.6 | NONE | 34.9 | ø5.6 hole with ø9.4 C'bore x 3.6 deep  | 3/8-16  | RED   |
| JBPT4P01ZXB | 3      | 52.4 | 17.5 | 11.2 | 15.9 | 17.5 | 7.9 | 17.5 | 1.6 | 1.6  | 33.3 | ø5.6 hole with ø10.4 C'bore x 3.6 deep | ¼-20    | BLACK |

## POWR-BLOK™ Modules

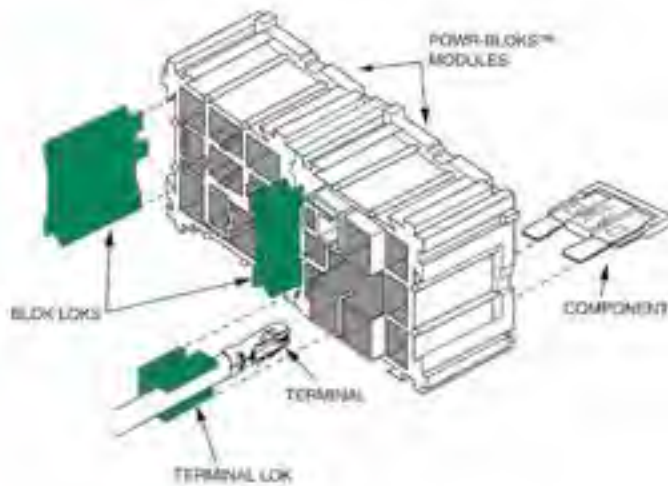


|   |            |
|---|------------|
| <b>Powr-Blok™ Modules: Introduction</b> | <b>103</b> |
| <b>Fuse Modules</b>                     | <b>104</b> |
| <b>Relay Modules</b>                    | <b>109</b> |
| <b>Specialty Modules</b>                | <b>114</b> |
| <b>Assembly/Mounting Accessories</b>    | <b>119</b> |
| <b>Terminals</b>                        | <b>123</b> |
| <b>Terminal Loks</b>                    | <b>122</b> |

# POWR-BLOK™ MODULES

## Description

The Littelfuse POWR-BLOKS™ system gives you unlimited flexibility to design electrical distribution systems. It's a totally modular way to build your own junction box. POWR-BLOKS are perfect for applications where space or vehicle function demand a tailor made approach. The Littelfuse POWR-BLOKS can be modified, re-sized, reconfigured or added to at any time.



## Mechanical Strength for Any Application

POWR-BLOKS modules are molded from glass reinforced nylon for dimensional stability, excellent rigidity, high and low temperature resistance and tensile strength:

## Specifications

|                     |   |
|---------------------|---|
| Test                | POWR-BLOKS™ Standard  |
| Voltage Rating      | 48VDC   |
| Temperature range   | -40°C to +125°C   |
| Durability          | Minimum 50 cycles of engagement/<br>disengagement                 |
| Drop                | 1.22 meters onto wooden platform                                  |
| Thermal Shock       | 5 Cycles from -40°C to +125°C                                     |
| Mechanical Shock    | 50g in each of 3 mutually perpendicular axis                      |
| Fluid Compatibility | Gasoline, diesel fuel, motor oil, antifreeze,<br>brake fluid, ATF |

## \*Max. Current Indication

The information listed as Max. current indication is to be used as a guideline only. The maximum allowable rating of the fuses used depends on design criteria such as maximum current, nominal current the duration for which the circuits are energized, as well as external factors as ambient temperature. All modules should therefore be tested as an assembly, and users should make their own evaluation to determine the suitability of the product for their specific applications.

## How to use the Littelfuse POWR-BLOKS system

1. Identify the electrical system parameters
  - Space availability and requirements
  - Circuit protection components
  - Relay and flasher components
  - Components for special needs
  
2. Select the Littelfuse POWR-BLOKS components. Lay out the electrical panel as designed. Then determine the appropriate type and quantity of POWR-BLOKS modules, BLOK LOKS and TERMINAL LOKS you need.
  
3. Build the panel by row. POWR-BLOKS can be assembled without special tools. Assemble the block from the rear by placing all modules face down on a flat surface. POWR-BLOKS should be designed by row, either going across or up and down.
  
4. Use BLOK LOKS to interconnect modules. BLOK LOKS are used to connect and stack POWR-BLOKS modules. Press together a row of modules and insert green BLOK LOKS until they snap into place. Repeat this procedure to interlock all assembled rows.
  
5. Add mounting modules. Once a POWR-BLOKS panel is assembled, add mounting modules that are most suitable for your application. Mounting options include surface mounting legs, a side mounting bracket and a mounting module with three different sized spacers.
  
6. Plug in terminated wiring. Wire your POWR-BLOKS panel and plug in the terminated wires, then insert the optional matching TERMINAL LOKS devices. Littelfuse TERMINAL LOKS are designed to fit special POWR-BLOKS modules and inserted in the same manner as BLOK LOKS.

The information and illustrations given in this catalogue are believed to be reliable and accurate. Littelfuse makes no warranties as to their accuracy or completeness, and disclaims any liability in connection with their use. Littelfuse's only obligations are those in the standard terms of sale for this product and Littelfuse will not be liable for any consequential or other damages arising out of the use or misuse of this product. Littelfuse reserves the right to make changes to the contents hereof without notice. It is suggested that at the time of inquiry Littelfuse Sales personnel be contacted directly for verification of published specifications and product availability.

## Fuse Modules



|   |            |
|---|------------|
| <b>2-Position ATO<sup>®</sup> Style Fuse and Circuit Breaker Module</b> | <b>105</b> |
| <b>4-Position ATO<sup>®</sup> Style Fuse and Circuit Breaker Module</b> | <b>105</b> |
| <b>7-Position ATO<sup>®</sup> Style Fuse and Circuit Breaker Module</b> | <b>106</b> |
| <b>4-Position MINI<sup>®</sup> Style Fuse Module</b>                    | <b>106</b> |
| <b>6-Position MINI<sup>®</sup> Style Fuse Module</b>                    | <b>107</b> |
| <b>8-Position MINI<sup>®</sup> Style Fuse Module</b>                    | <b>107</b> |
| <b>2-Position MAXI<sup>™</sup> Style Fuse Module</b>                    | <b>108</b> |
| <b>4-Position MAXI<sup>™</sup> Style Fuse Module</b>                    | <b>108</b> |

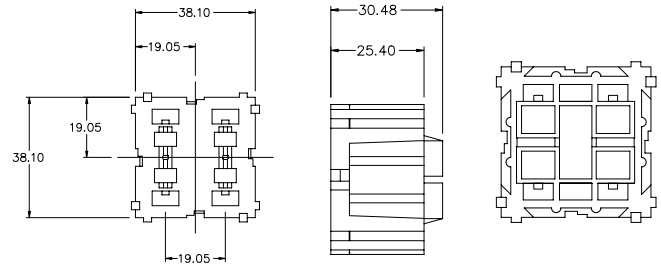
## 2-POSITION ATO® STYLE FUSE AND CIRCUIT BREAKER MODULE

RoHS



### Dimensions

Dimensions in mm

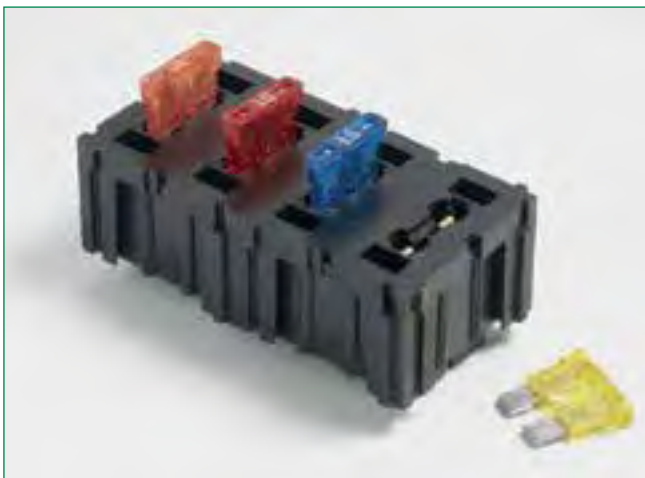


### Ratings

| Part Number         | Max. Current Indication | Terminals<br>(see according section) | Terminal Loks<br>(see according section) |
|---------------------|-------------------------|--------------------------------------|--|
| 03540501Z (40 pcs.) | 60A                     | Type 1 or 7                          | Type 4, 5 or 6                           |

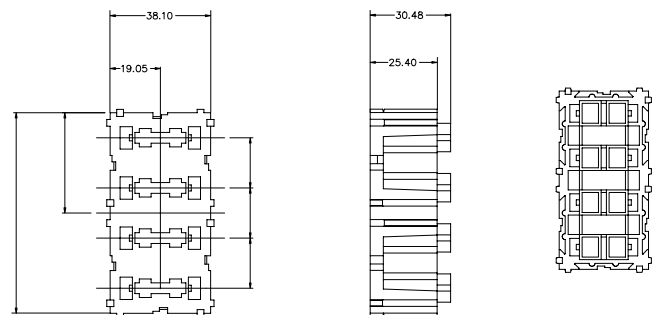
## 4-POSITION ATO® STYLE FUSE AND CIRCUIT BREAKER MODULE

RoHS



### Dimensions

Dimensions in mm



### Ratings

| Part Number         | Max. Current Indication | Terminals<br>(see according section) | Terminal Loks<br>(see according section) |
|---------------------|-------------------------|--------------------------------------|--|
| 03540502Z (20 pcs.) | 120A                    | Type 1 or 7                          | Type 4, 5, 6 or 7                        |



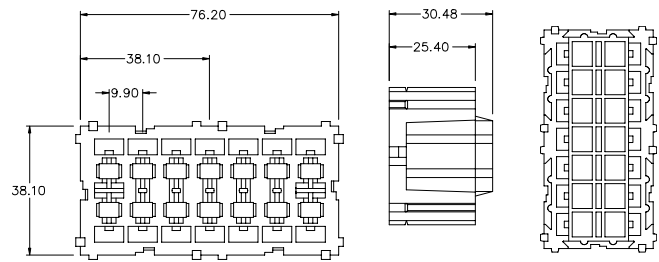
## 7-POSITION ATO® STYLE FUSE AND CIRCUIT BREAKER MODULE

RoHS



### Dimensions

Dimensions in mm



### Ratings

| Part Number         | Max. Current Indication | Terminals<br>(see according section) | Terminal Loks<br>(see according section) |
|---------------------|-------------------------|--------------------------------------|--|
| 03540503Z (20 pcs.) | 120A                    | Type 1 or 7                          | Type 4 or 5                              |

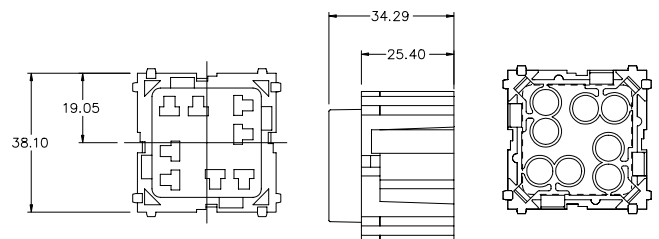
## 4-POSITION MINI® STYLE FUSE MODULE

RoHS



### Dimensions

Dimensions in mm



### Ratings

| Part Number         | Max. Current Indication | Terminals<br>(see according section) | Terminal Loks<br>(see according section) |
|---------------------|-------------------------|--------------------------------------|--|
| 03540532Z (40 pcs.) | 60A                     | Type 6                               | -  |

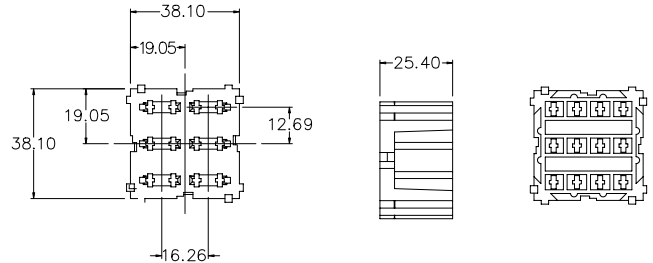
## 6-POSITION MINI® STYLE FUSE MODULE

RoHS



### Dimensions

Dimensions in mm



### Ratings

| Part Number         | Max. Current Indication | Terminals<br>(see according section) | Terminal Loks<br>(see according section) |
|---------------------|-------------------------|--------------------------------------|--|
| 03540543Z (40 pcs.) | 60A                     | Type 8                               | -  |

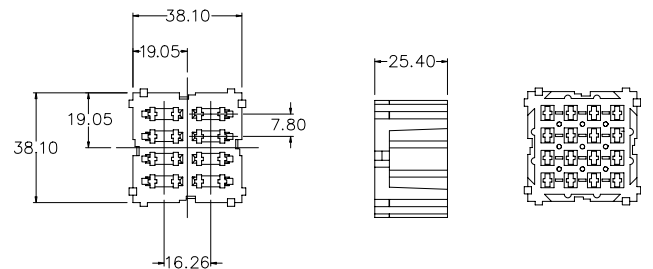
## 8-POSITION MINI® STYLE FUSE MODULE

RoHS



### Dimensions

Dimensions in mm



### Ratings

| Part Number         | Max. Current Indication | Terminals<br>(see according section) | Terminal Loks<br>(see according section) |
|---------------------|-------------------------|--------------------------------------|--|
| 03540544Z (40 pcs.) | 60A                     | Type 8                               | -  |

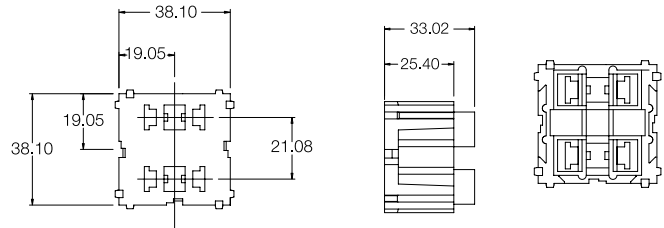
## 2-POSITION MAXI™ STYLE FUSE MODULE

RoHS



### Dimensions

Dimensions in mm



### Ratings

| Part Number         | Max. Current Indication | Terminals<br>(see according section) | Terminal Loks<br>(see according section) |
|---------------------|-------------------------|--------------------------------------|--|
| 03540549Z (40 pcs.) | 80A                     | Type 2                               | Type 8                                   |

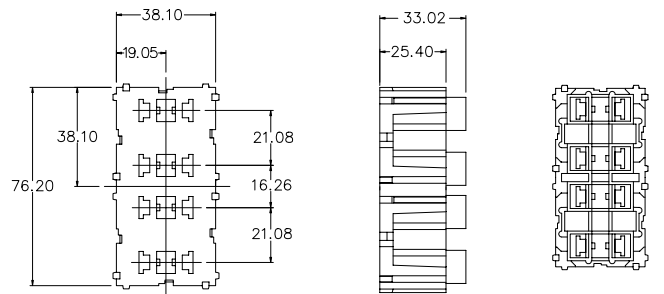
## 4-POSITION MAXI™ STYLE FUSE MODULE

RoHS



### Dimensions

Dimensions in mm



### Ratings

| Part Number         | Max. Current Indication | Terminals<br>(see according section) | Terminal Loks<br>(see according section) |
|---------------------|-------------------------|--------------------------------------|--|
| 03540505Z (20 pcs.) | 160A                    | Type 2                               | Type 8                                   |

## Relay Modules



|   |            |
|---|------------|
| <b>1-Position ISO Relay Module</b>                              | <b>110</b> |
| <b>2-Position ISO Relay Module</b>                              | <b>110</b> |
| <b>3-Position Micro Relay Module</b>                            | <b>111</b> |
| <b>1-Position 9 Pin Relay Module</b>                            | <b>111</b> |
| <b>2-Position 280 Micro Relay + 2 Position MINI® Style Fuse</b> | <b>112</b> |
| <b>1-Position Power Relay Module</b>                            | <b>112</b> |
| <b>2-Pin Flasher Module</b>                                     | <b>113</b> |

# 1-POSITION ISO RELAY MODULE

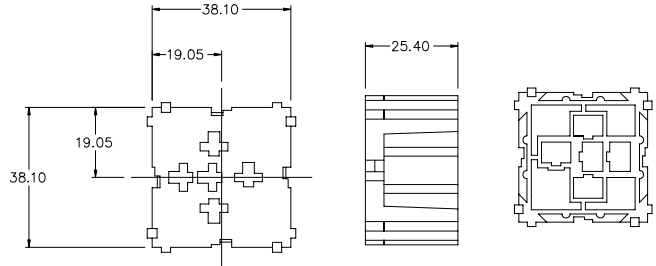
Alternative for: 3 pin flasher module

**RoHS**



## Dimensions

Dimensions in mm



## Ratings

| Part Number         | Remarks | Terminals<br>(see according section) | Terminal Loks<br>(see according section) |
|---------------------|---------|--------------------------------------|--|
| 03540506Z (40 pcs.) | -       | Type 3                               | Type 1                                   |

# 2-POSITION ISO RELAY MODULE

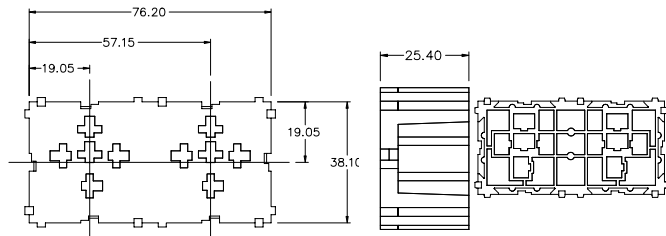
Alternative for: 3 pin flasher module

**RoHS**



## Dimensions

Dimensions in mm



## Ratings

| Part Number         | Remarks | Terminals<br>(see according section) | Terminal Loks<br>(see according section) |
|---------------------|---------|--------------------------------------|--|
| 03540536Z (20 pcs.) | -       | Type 3                               | Type 1                                   |

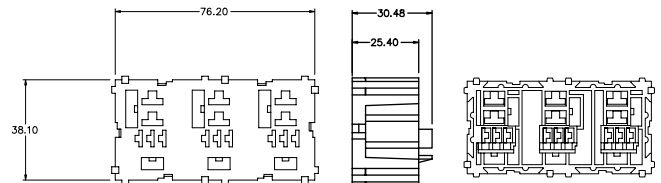
## 3-POSITION MICRO RELAY MODULE

RoHS



### Dimensions

Dimensions in mm



### Ratings

| Part Number         | Max. Current Indication           | Terminals<br>(see according section) | Terminal Loks<br>(see according section) |
|---------------------|-----------------------------------|--------------------------------------|--|
| 03540507Z (20 pcs.) | Coil and normally closed contacts | Type 5                               | Type 3                                   |
| 03540507Z (20 pcs.) | Normally open contacts            | Type 3                               | Type 2                                   |

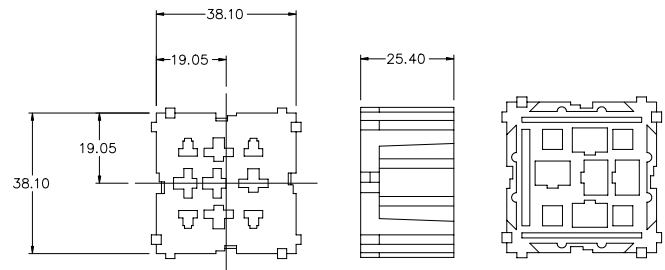
## 1-POSITION 9 PIN RELAY MODULE

RoHS



### Dimensions

Dimensions in mm



### Ratings

| Part Number         | Max. Current Indication | Terminals<br>(see according section) | Terminal Loks<br>(see according section) |
|---------------------|-------------------------|--------------------------------------|--|
| 03540542Z (40 pcs.) | 5 "Inner" pins          | Type 3                               | Type 1                                   |
| 03540542Z (40 pcs.) | 4 "Outer" pins          | Type 6                               | -  |

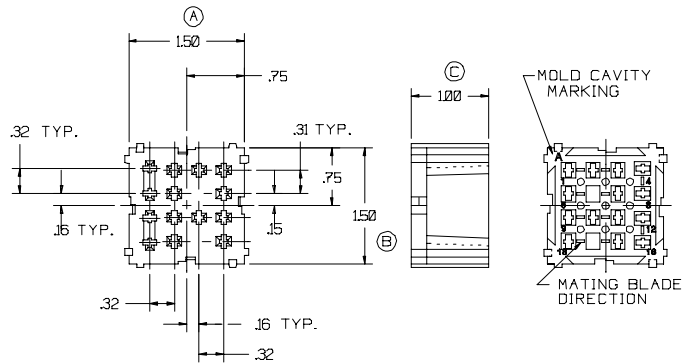
## 2-POSITION 280 MICRO RELAY + 2 POSITION MINI® STYLE FUSE

RoHS



### Dimensions

Dimensions in mm



### Ratings

| Part Number         | Max. Current Indication     | Terminals<br>(see according section) | Terminal Loks<br>(see according section) |
|---------------------|-----------------------------|--------------------------------------|--|
| 03540551Z (40 pcs.) | Max. current indication 30A | Type 8                               | -  |

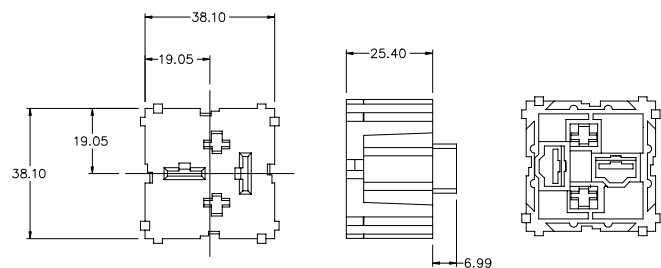
## 1-POSITION POWER RELAY MODULE

RoHS



### Dimensions

Dimensions in mm

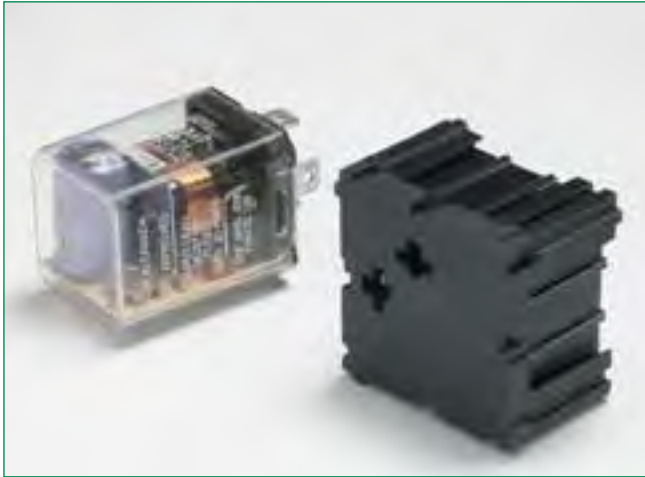


### Ratings

| Part Number         | Max. Current Indication | Terminals<br>(see according section) | Terminal Loks<br>(see according section) |
|---------------------|-------------------------|--------------------------------------|--|
| 03540535Z (40 pcs.) | Coil                    | Type 3                               | Type 1                                   |
| 03540535Z (40 pcs.) | Contacts                | Type 4                               | -  |

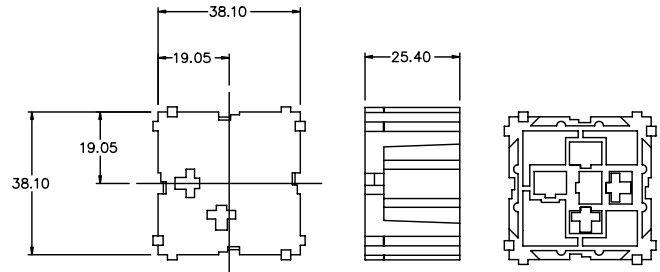
## 2-PIN FLASHER MODULE

RoHS



### Dimensions

Dimensions in mm



### Ratings

| Part Number         | Max. Current Indication | Terminals<br>(see according section) | Terminal Loks<br>(see according section) |
|---------------------|-------------------------|--------------------------------------|--|
| 03540508Z (40 pcs.) | -                       | Type 3                               | Type 1                                   |



## Specialty Modules



|  |            |
|--|------------|
| <b>Blank Module</b>  | <b>115</b> |
| <b>2-Position Blank Module</b>   | <b>115</b> |
| <b>Power Tap Module</b>  | <b>116</b> |
| <b>2-Stud Assembly Module</b>  | <b>116</b> |
| <b>4-Stud Assembly Module</b>  | <b>117</b> |
| <b>2-Position Push Button Circuit Breaker Module</b>                   | <b>117</b> |
| <b>Storage Module/Drawer Insert</b>                                    | <b>118</b> |
| <b>Splash Proof Cover for: 4-Position MINI<sup>®</sup> Fuse Module</b> | <b>118</b> |

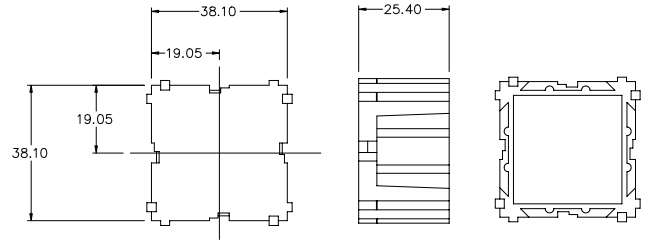
## BLANK MODULE

RoHS



### Dimensions

Dimensions in mm



### Ratings

| Part Number         | Remarks |
|---------------------|---------|
| 03540520Z (40 pcs.) | -       |

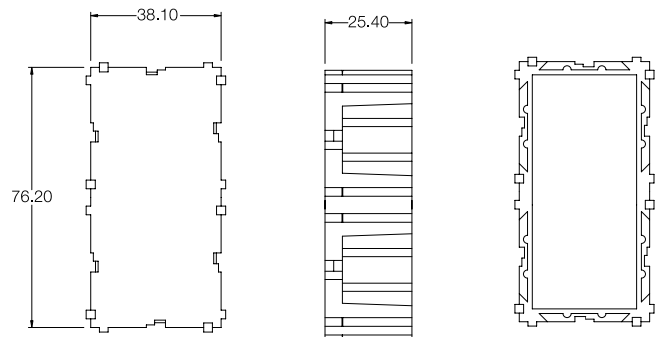
## 2-POSITION BLANK MODULE

RoHS



### Dimensions

Dimensions in mm



### Ratings

| Part Number         | Remarks |
|---------------------|---------|
| 03540550Z (20 pcs.) | -       |

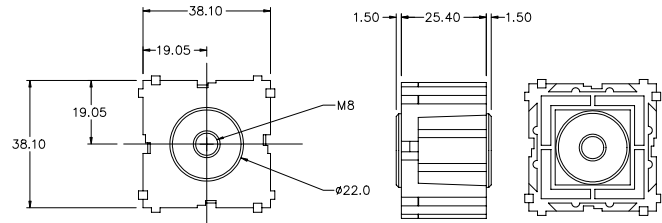
**POWER TAP MODULE**

RoHS



**Dimensions**

Dimensions in mm



**Ratings**

| Part Number          | Remarks               |
|----------------------|-----------------------|
| 03540539Z (40 pcs.)  | M8 Tread Metric       |
| 03540512Z (100 pcs.) | 1/4 inch - 20 thread  |
| 03540513Z (100 pcs.) | 5/16 inch - 18 thread |

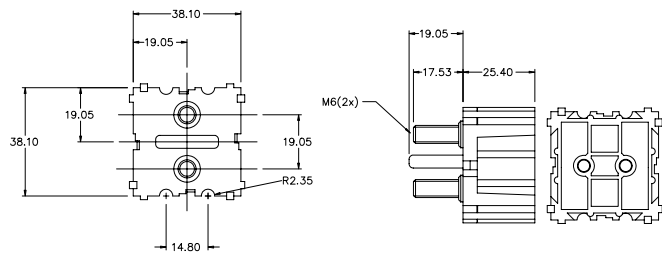
**2-STUD ASSEMBLY MODULE**

RoHS



**Dimensions**

Dimensions in mm



**Ratings**

| Part Number         | Remarks           |
|---------------------|-------------------|
| 03540537Z (20 pcs.) | M6 Thread, Metric |

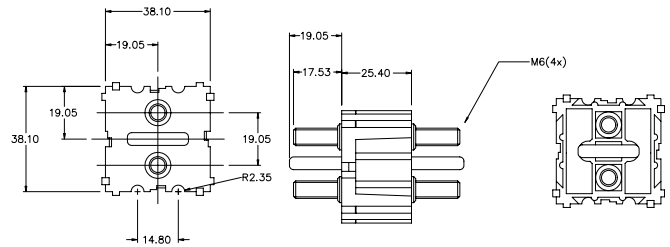
## 4-STUD ASSEMBLY MODULE

RoHS



### Dimensions

Dimensions in mm



### Ratings

| Part Number         | Remarks          |
|---------------------|------------------|
| 03540538Z (20 pcs.) | M6 Thread Metric |

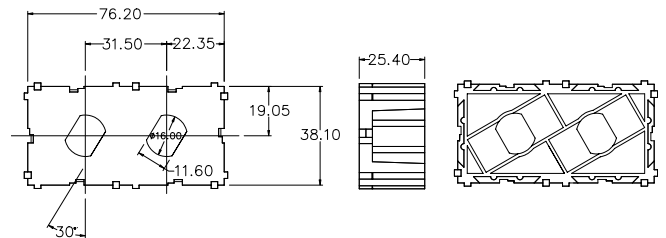
## 2-POSITION PUSH BUTTON CIRCUIT BREAKER MODULE

RoHS



### Dimensions

Dimensions in mm



### Ratings

| Part Number         | Remarks |
|---------------------|---------|
| 03540504Z (20 pcs.) | -       |

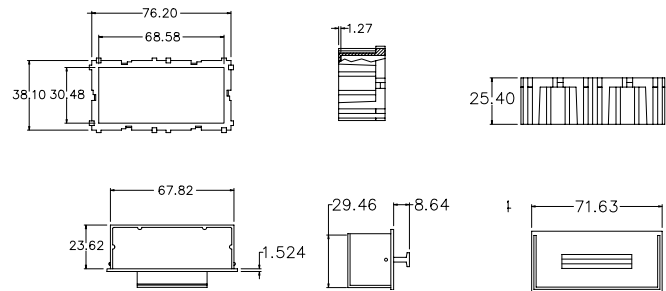
**STORAGE MODULE/DRAWER INSERT**

RoHS



**Dimensions**

Dimensions in mm



**Ratings**

| Part Number         | Remarks |
|---------------------|---------|
| 03540521Z (20 pcs.) | Body    |
| 03540522Z (20 pcs.) | Drawer  |

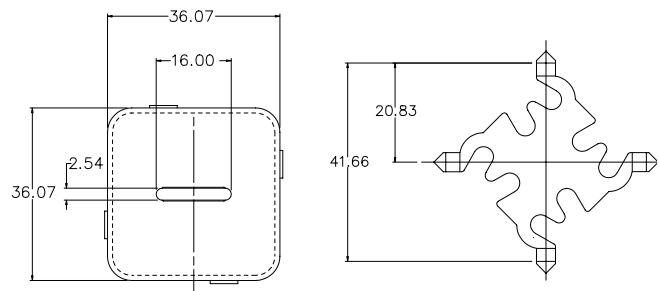
**SPLASH PROOF COVER FOR: 4-POSITION MINI® FUSE MODULE**

RoHS



**Dimensions**

Dimensions in mm



**Ratings**

| Part Number         | Remarks |
|---------------------|---------|
| 03540534Z (20 pcs.) | Cover   |
| 03540533Z (20 pcs.) | Lock    |
| 09130085Z (20 pcs.) | Seal    |

**Assembly/Mounting Accessories**



|  |            |
|--|------------|
| <b>Assembly Accessories—BLOK-LOKS™</b>         | <b>120</b> |
| <b>Mounting Accessories—Mounting Standoffs</b> | <b>120</b> |
| <b>Mounting Accessories—Mounting Module</b>    | <b>121</b> |
| <b>Mounting Leg</b>                            | <b>121</b> |
| <b>Mounting Accessories—Flush Mounting Leg</b> | <b>122</b> |
| <b>Side Mounting Bracket</b>                   | <b>122</b> |

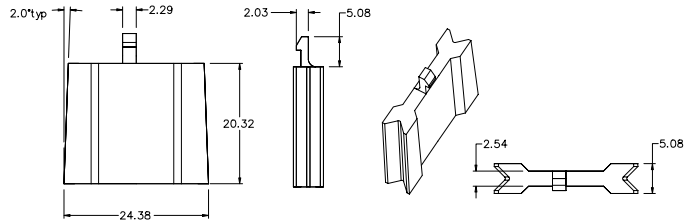
**ASSEMBLY ACCESSORIES—BLOK LOKS™**

**RoHS**



**Dimensions**

Dimensions in mm



**Ratings**

| Part Number          | Remarks |
|----------------------|---------|
| 03540523Z (250 pcs.) | -       |

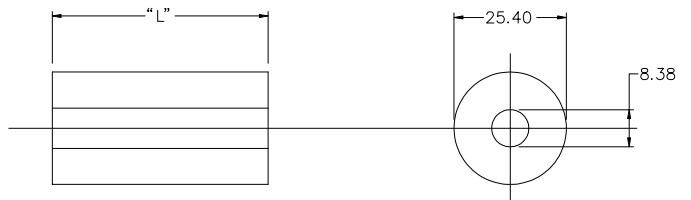
**MOUNTING ACCESSORIES—MOUNTING STANDOFFS**

**RoHS**



**Dimensions**

Dimensions in mm



**Ratings**

| Part Number         | Remarks            |
|---------------------|--------------------|
| 03540515Z (10 pcs.) | 0.75 Inch / 19mm   |
| 03540516Z (10 pcs.) | 1 Inch / 25.4mm    |
| 03540517Z (10 pcs.) | 1.25 Inch / 31.7mm |





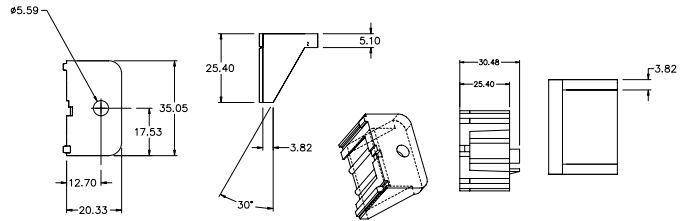
**MOUNTING ACCESSORIES—FLUSH MOUNTING LEG**

**RoHS**



**Dimensions**

Dimensions in mm



**Ratings**

| Part Number         | Remarks |
|---------------------|---------|
| 03540519Z (50 pcs.) | -       |

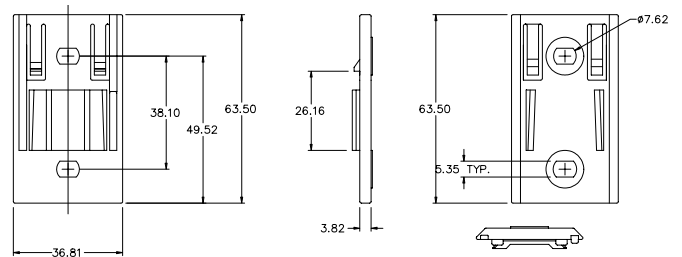
**SIDE MOUNTING BRACKET**

**RoHS**



**Dimensions**

Dimensions in mm



**Ratings**

| Part Number         | Remarks |
|---------------------|---------|
| 03540540Z (50 pcs.) | -       |

## Terminals



|                          |            |
|--------------------------|------------|
| <b>Terminal Type 1</b>   | <b>124</b> |
| <b>Terminal Type 2</b>   | <b>125</b> |
| <b>Terminal Type 3</b>   | <b>125</b> |
| <b>Terminal Type 4</b>   | <b>126</b> |
| <b>Terminal Type 5</b>   | <b>126</b> |
| <b>Terminal Type 6</b>   | <b>127</b> |
| <b>Terminal Type 7</b>   | <b>127</b> |
| <b>Terminal Type 8</b>   | <b>128</b> |
| <b>Starter Terminals</b> | <b>129</b> |

**TERMINAL TYPE 1**

**RoHS**



**Terminal Loks**

| Description                               | Wire Diam.                           | Type of terminal loks |
|---|--------------------------------------|-----------------------|
| For part number: 354501 / 354502 / 354503 | 0.50 - 2 mm <sup>2</sup>             | 4                     |
| For part number: 354501 / 354502 / 354503 | 0.50 - 2 & 3.3 - 5.3 mm <sup>2</sup> | 5                     |
| For part number: 354501 / 354502          | 0.50 - 2 mm <sup>2</sup>             | 6                     |
| For part number: 354502                   | 0.50 - 2 mm <sup>2</sup>             | 7                     |

**Ratings**

| Part Number   | Description               | Wire Diam.  | Material                      |
|---|---------------------------|---|-------------------------------|
| 913-070 (Reeled per 2200 pcs)<br>0913070001 (Single per 250 pcs)  | Heavy Duty + spring clip* | 0.5-0.8 mm <sup>2</sup> / 18-20AWG<br>0.5-0.8 mm <sup>2</sup> / 18-20AWG      | Brass                         |
| 913-071 (Reeled per 2200 pcs)<br>913-071XS (Reeled per 2200 pcs)  | Heavy Duty + spring clip* | 1.33-2.09 mm <sup>2</sup> / 14-16AWG<br>1.33-2.09 mm <sup>2</sup> / 14-16AWG  | Brass<br>Silver plated copper |
| 0913071001 (Single per 250 pcs)<br>913-072 (Reeled per 2200 pcs)  | Heavy Duty + spring clip* | 1.33-2.09 mm <sup>2</sup> / 14-16AWG<br>3.32-5.37 mm <sup>2</sup> / 10-12AWG  | Brass                         |
| 913-072XS (Reeled per 2200 pcs)<br>0913072001 (Single per 250 pc) | Heavy Duty + spring clip* | 3.32-5.37 mm <sup>2</sup> / 10-12AWG<br>3.32-5.37 mm <sup>2</sup> / 10-12AWG  | Silver plated copper<br>Brass |
| 913-058 (Reeled per 4500 pcs)<br>0913058001 (Single per 250 pcs)  | Standard Duty             | 0.5-0.8 mm <sup>2</sup> / 18-20AWG<br>0.5-0.8 mm <sup>2</sup> / 18-20AWG      | Brass                         |
| 913-059 (Reeled per 4500 pcs)<br>0913059001 (Single per 250 pcs)  | Standard Duty             | 1.33-2.09 mm <sup>2</sup> / 14-16AWG<br>1.33-2.09 mm <sup>2</sup> / 14-16 AWG | Brass                         |
| 913-060 (Reeled per 4500 pcs)<br>0913060001 (Single per 250 pcs)  | Standard Duty             | 3.32-5.37 mm <sup>2</sup> / 10-12AWG<br>3.32-5.37 mm <sup>2</sup> / 10-12AWG  | Brass                         |

\* Spring clip material: Stainless steel

## TERMINAL TYPE 2

RoHS



### Terminal Loks

| Description                | Wire Diam.               | Type of terminal loks |
|----------------------------|--------------------------|-----------------------|
| For part number:<br>354505 | 0,50 - 2 mm <sup>2</sup> | 8                     |

### Ratings

| Part Number  | Description   | Wire Diam.   | Material            |
|--|---------------|--|---------------------|
| 913-063 (Reeled per 1200 pcs)<br>0913063001 (Single per 250 pcs) | Female 8.0 mm | 0.82-1.33 mm <sup>2</sup> / 18-16AWG<br>0.82-1.33 mm <sup>2</sup> / 18-16AWG | Silver plated brass |
| 913-064 (Reeled per 1200 pcs)<br>0913064001 (Single per 250 pcs) | Female 8.0 mm | 2.09-3.32 mm <sup>2</sup> / 14-12AWG<br>2.09-3.32 mm <sup>2</sup> / 14-12AWG | Silver plated brass |
| 913-068 (Reeled 1200 pcs)<br>0913068001 (Single per 250 pcs)     | Female 8.0 mm | 5.37mm <sup>2</sup> / 10AWG<br>5.37mm <sup>2</sup> / 10AWG                   | Silver plated brass |

## TERMINAL TYPE 3

RoHS



### Terminal Loks

| Description  | Wire Diam. | Type of terminal loks |
|--|------------|-----------------------|
| For part number:<br>354506 / 354508 /<br>354535 / 354536 | –          | 1                     |
| For part number:<br>354505                               | –          | 2                     |

### Ratings

| Part Number  | Description | Wire Diam.   | Material         |
|--|-------------|--|------------------|
| 913-053 (Reeled per 2000 pcs)<br>0913053001 (Single per 250 pcs) | –           | 0.5-0.8 mm <sup>2</sup> / 18-20AWG<br>0.5-0.8 mm <sup>2</sup> / 18-20AWG     | Tin plated brass |
| 913-253 (Reeled per 3000 pcs)                                    | –           | 0.5-1.00 mm <sup>2</sup> (metric)  | Tin plated brass |
| 913-065 (Reeled per 2100 pcs)<br>0913065001 (Single per 250 pcs) | –           | 1.33-2.09 mm <sup>2</sup> / 14-16AWG<br>1.33-2.09 mm <sup>2</sup> / 14-16AWG | Tin plated brass |
| 913-265 (Reeled per 2500 pcs)                                    | –           | 1.1-2.50 mm <sup>2</sup> (metric)  | Tin plated brass |
| 913-055 (Reeled per 1900 pcs)<br>0913055001 (Single per 250 pcs) | –           | 3.32-5.37 mm <sup>2</sup> / 10-12AWG<br>3.32-5.37 mm <sup>2</sup> / 10-12AWG | Tin plated brass |
| 913-255 (Reeled per 15000 pcs)                                   | –           | 4.0-6.0 mm <sup>2</sup> (metric)   | Tin plated brass |

## TERMINAL TYPE 4

RoHS



### Ratings

| Part Number  | Description | Wire Diam.   | Material         |
|--|-------------|--|------------------|
| 913-073 (Reeled per 2000 pcs)<br>0913073001 (Single per 250 pcs) | Female      | 3.0-6.0 mm <sup>2</sup> /10-12AWG<br>3.0-6.0 mm <sup>2</sup> /10-12AWG | Tin plated Brass |
| 913-074 (Reeled per 1000 pcs)<br>0913074001 (Single per 250 pcs) | Female      | 6.0-10.0 mm <sup>2</sup> /8-10AWG<br>6.0-10.0 mm <sup>2</sup> /8-10AWG | Tin plated Brass |

## TERMINAL TYPE 5

RoHS



### Ratings

| Part Number  | Description | Wire Diam.   | Material                  |
|--|-------------|--|---------------------------|
| 913-067 (Reeled per 3500 pcs)<br>0913067001 (Single per 250 pcs) | Female      | 0.82-1.33 mm <sup>2</sup> /16-18AWG<br>0.82-1.33 mm <sup>2</sup> /16-18AWG | Tin plated silicon bronze |
| 913-066 (Reeled per 3000 pcs)<br>0913066001 (Single per 250 pcs) | Female      | 2.09-3.32 mm <sup>2</sup> /12-14AWG<br>2.09-3.32 mm <sup>2</sup> /12-14AWG | Tin plated silicon bronze |

## TERMINAL TYPE 6

RoHS



### Ratings

| Part Number  | Description | Wire Diam.   | Material         |
|--|-------------|--|------------------|
| 913-772 (Reeled per 2500 pcs)<br>0913772001 (Single per 250 pcs) | Female      | 0.5-0.8 mm <sup>2</sup> /18-20AWG<br>0.5-0.8 mm <sup>2</sup> /18-20AWG     | Tin plated brass |
| 913-773 (Reeled per 2500 pcs)<br>0913773001 (Single per 250 pcs) | Female      | 1.33-2.09 mm <sup>2</sup> /14-16AWG<br>1.33-2.09 mm <sup>2</sup> /14-16AWG | Tin plated brass |
| 913-774 (Reeled 2000 pcs)<br>0913774001 (Single per 250 pcs)     | Female      | 3.32-5.37 mm <sup>2</sup> /10-12AWG<br>3.32-5.37 mm <sup>2</sup> /10-12AWG | Tin plated brass |

## TERMINAL TYPE 7

RoHS



### Ratings

| Part Number            | Description        | Wire Diam.                       | Material |
|------------------------|--------------------|----------------------------------|----------|
| 09130075Z (Per 20 pcs) | Bus bar 2 position | 5.0-8.0 mm <sup>2</sup> /8-10AWG | Copper   |
| 09130076Z (Per 20 pcs) | Bus bar 4 position | 5.0-8.0 mm <sup>2</sup> /8-10AWG | Copper   |
| 09130077Z (Per 20 pcs) | Bus bar 7 position | 5.0-8.0 mm <sup>2</sup> /8-10AWG | Copper   |

**TERMINAL TYPE 8**

**RoHS**



**Ratings**

| Part Number  | Description | Wire Diam.   | Material               |
|--|-------------|--|------------------------|
| 913-769 (Reeled per 4200 pcs)<br>0913769001 (Single per 250 pcs) | Female      | 0.5-1.0 mm <sup>2</sup><br>0.5-1.0 mm <sup>2</sup> | Part.Gold plated Brass |
| 913-770 (Reeled per 1000 pcs)<br>0913770001 (Single per 250 pcs) | Female      | 1.5-2.5 mm <sup>2</sup><br>1.5-2.5 mm <sup>2</sup> | Tin plated bronze      |

# STARTER TERMINALS

RoHS



## Description

The starter terminal series are cable lugs for heavy-duty applications such as starter motors and battery connections.

## Ratings

| Part Number                                  | mm <sup>2</sup> | Mounting Hole | Width (mm) | Material | Plating | Ref.            |
|--|-----------------|---------------|------------|----------|---------|-----------------|
| 09130633LXN (50 pcs)<br>09130633Z (1250 pcs) | 2.5-6.0         | 6.5 mm        | 11         | Cu       | Sn      | 2906            |
| 09130634LXN (50 pcs)<br>09130634Z (600 pcs)  | 6.0-15          | 8.4 mm        | 15         | Cu       | Sn      | 2910            |
| 09130635LXN (50 pcs)<br>09130635Z (400 pcs)  | 10 -25          | 8.4 mm        | 15         | Cu       | Sn      | 2916            |
| 09130636LXN (50 pcs)<br>09130636Z (200 pcs)  | 16-35           | 10.5 mm       | 19         | Cu       | Sn      | 29025           |
| 09130637LXN (50 pcs)<br>09130637Z (150 pcs)  | 25-50           | 10.5 mm       | 19         | Cu       | Sn      | 29035           |
| 09130638LXN (50 pcs)<br>09130638Z (100 pcs)  | 35-70           | 10.5 mm       | 19         | Cu       | Sn      | 29050           |
| 09130639LXN (50 pcs)<br>09130639Z (50 pcs)   | 50-95           | 13.5 mm       | 22         | Cu       | Sn      | 29070           |
| 09130640LXN (50 pcs)<br>09130640Z (600 pcs)  | 16              | 6.4 mm        | 11         | Cu       | Sn      | 2916 HK         |
| 09130641LXN (50 pcs)<br>09130641Z (300 pcs)  | 25              | 8.4 mm        | 15         | Cu       | Sn      | 29025 HK        |
| 09130642LXN (50 pcs)<br>09130642Z (200 pcs)  | 35              | 8.4 mm        | 15         | Cu       | Sn      | 29035 HK (8.4)  |
| 09130643LXN (50 pcs)<br>09130643Z (150 pcs)  | 35              | 10.5 mm       | 19         | Cu       | Sn      | 29035 HK (10.5) |
| 09130644LXN (50 pcs)<br>09130644Z (100 pcs)  | 50              | 8.4 mm        | 17         | Cu       | Sn      | 29050 HK (8.4)  |
| 09130645LXN (50 pcs)<br>09130645Z (125 pcs)  | 50              | 10.5 mm       | 19         | Cu       | Sn      | 29050 HK (10.5) |
| 09130646LXN (50 pcs)<br>09130646Z (75 pcs)   | 70              | 10.5 mm       | 21         | Cu       | Sn      | 29070 HK        |



## Terminal Loks



Terminal Lok Type 1 through 8

131

# TERMINAL LOKS

RoHS

**Terminal Lok Type 1**



**Terminal Lok Type 5**



**Terminal Lok Type 2**



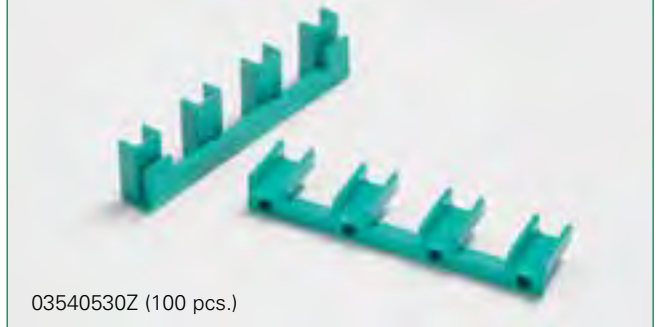
**Terminal Lok Type 6**



**Terminal Lok Type 3**



**Terminal Lok Type 7**



**Terminal Lok Type 4**



**Terminal Lok Type 8**



## Fuse Holders



|  |            |
|--|------------|
| <b>Inline Fuse Holders</b>                   | <b>133</b> |
| <b>PCB Fuse Holders</b>                      | <b>142</b> |
| <b>Stackable/Panel Mount Fuse Holders</b>    | <b>150</b> |
| <b>Bolt-Down Fuse Holders and Assemblies</b> | <b>159</b> |

## Inline Fuse Holders



|  |            |
|--|------------|
| <b>Inline Splashproof Fuse Holder for MINI® Style Blade Fuse</b> | <b>134</b> |
| <b>Inline Fuse Holder for ATO® Style Blade Fuse</b>              | <b>135</b> |
| <b>Inline Splashproof Fuse Holder for ATO® Style Blade Fuse</b>  | <b>135</b> |
| <b>Add-A-Circuit MINI® Style</b>                                 | <b>136</b> |
| <b>Add-A-Circuit ATO® Style</b>                                  | <b>136</b> |
| <b>Fuse Holder for MAXI® Style Blade Fuse</b>                    | <b>137</b> |
| <b>MAXI® Components</b>  | <b>137</b> |
| <b>Splash Resistant Fuse Holder for MAXI® Style Blade Fuse</b>   | <b>138</b> |
| <b>Splash Resistant MAXI® Components</b>                         | <b>138</b> |
| <b>Inline Fuse Holder for MAXI® Style Blade Fuse</b>             | <b>139</b> |
| <b>Inline Fuse Holder for JCASE® Style Fuses</b>                 | <b>140</b> |

# INLINE SPLASHPROOF FUSE HOLDER

for MINI® Style Blade Fuse

**RoHS**



## Specifications

Housing: Out of thermoplastic (UL 94-V0, heat-resistant)  
Color: Black

## Ordering Information

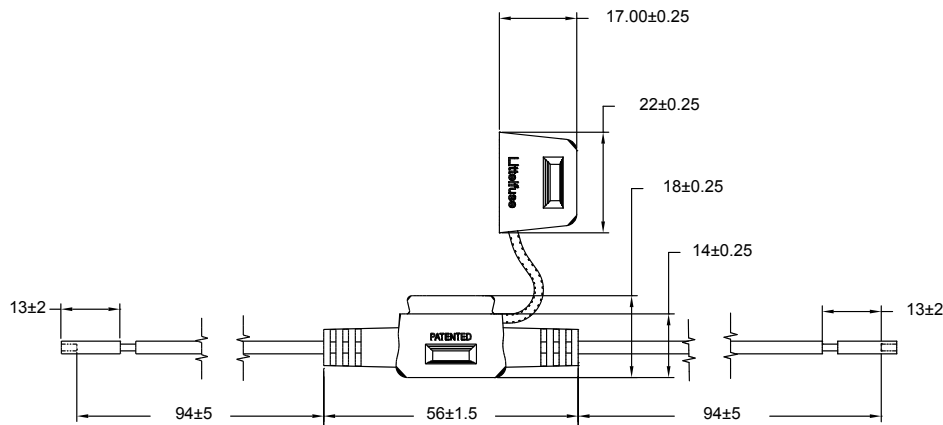
| Part Number | Package Size |
|-------------|--------------|
| 0FHM000xLXN | 50           |
| 0FHM000xZXJ | 1000         |

## Description

Used with MINI / FK1 Fuse. Includes protective cover for harsh environment. This product is compatible with a MINI diode.

## Dimensions

Dimensions in mm



## Ratings

| Part Number | Description                                   | Fuse Rating |
|-------------|---|-------------|
| 0FHM0001_   | 14AWG/2.1mm <sup>2</sup> stranded black wire  | 20 A        |
| 0FHM0002_   | 12AWG/3.3mm <sup>2</sup> stranded orange wire | 30 A        |

Wire length, color and diameter can be customized upon request.

Customization requires minimum order quantities depending on nature of modifications.

# INLINE FUSE HOLDER FOR ATO® STYLE BLADE FUSE

RoHS



## Description

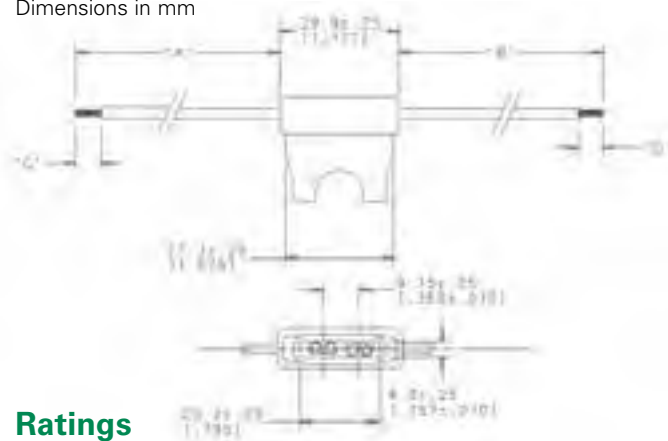
Used with ATO®/ FKS Fuse. Supplied with two 4" / 102mm wire leads.

## Ordering Information

| Part Number | Package Size |
|-------------|--------------|
| 0FHA0001ZXJ | 1000         |
| 0FHA0002ZXJ | 1000         |

## Dimensions

Dimensions in mm



## Ratings

| Part Number | Description                                   | Fuse Rating |
|-------------|---|-------------|
| 0FHA0001_   | 16AWG/1.3mm <sup>2</sup> stranded black wire  | 20 A        |
| 0FHA0002_   | 12AWG/3.3mm <sup>2</sup> stranded orange wire | 30 A        |

Wire length, color and diameter can be customized upon request. Customization requires minimum order quantities depending on nature of modifications. Please contact your sales representative for details.

# INLINE SPLASHPROOF FUSE HOLDER

for ATO® Style Blade Fuse

RoHS



## Description

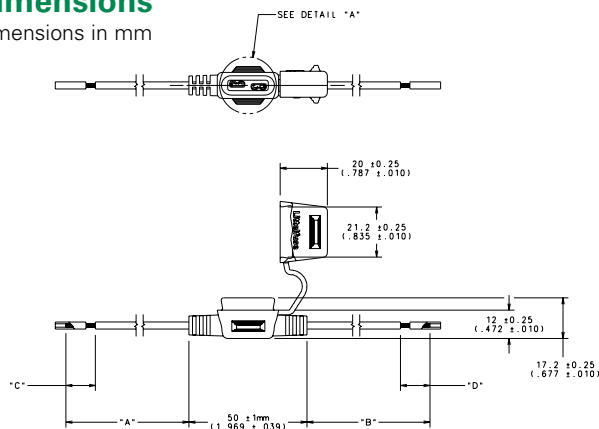
Used with ATO® / FKS Fuse. Supplied with two 4" / 102mm wire leads. Includes protective cover for harsh environment.

## Ordering Information

| Part Number | Package Size |
|-------------|--------------|
| FHAC0001ZXJ | 1000         |
| FHAC0002ZXJ | 1000         |

## Dimensions

Dimensions in mm



## Ratings

| Part Number | Description                                   | Fuse Rating |
|-------------|---|-------------|
| FHAC0001ZXJ | 16AWG/1.3mm <sup>2</sup> stranded black wire  | 20 A        |
| FHAC0002ZXJ | 12AWG/3.3mm <sup>2</sup> stranded orange wire | 30 A        |

Wire length, color and diameter can be customized upon request. Customization requires minimum order quantities depending on nature of modifications. Please contact your sales representative for details.

## ADD-A-CIRCUIT MINI® STYLE



### Description

Extension board for an additional fuse protected tap from an existing MINI size socket. The 2 fuses for the existing and the new circuit are oriented horizontally.

### Ordering Information

| Part Number | Package Size |
|-------------|--------------|
| 0FHM0200Z   | 50           |
| 0FHM0200S   | 20           |

### Ratings

| Part Number | Description   | Fuse Rating |
|-------------|---|-------------|
| 0FHM0200_   | Fusetap and holder for installing additional accessories without splicing | 10 A        |

## ADD-A-CIRCUIT ATO® STYLE

**RoHS**



### Description

Extension board for an additional fuse protected tap from an existing ATO size socket. The 2 fuses for the existing and the new circuit are oriented horizontally.

### Ordering Information

| Part Number | Package Size |
|-------------|--------------|
| 0FHA0200Z   | 50           |
| 0FHA0200S   | 20           |

### Ratings

| Part Number | Description   | Fuse Rating |
|-------------|---|-------------|
| 0FHA0200_   | Fusetap and holder for installing additional accessories without splicing | 10 A        |

# FUSE HOLDER FOR MAXI® STYLE BLADE FUSE

RoHS



## Description

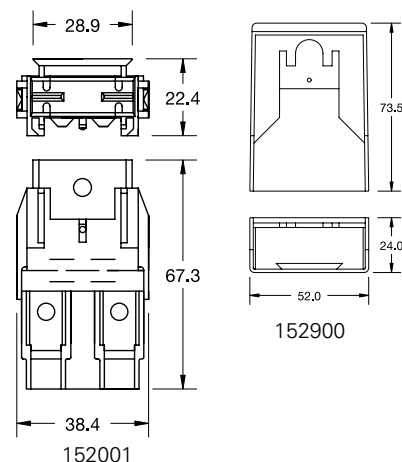
This fuse holder provides an efficient, simple installation method for MAXI® / FK3-Style Fuse applications.

## Ordering Information

| Part Number | Package Size |
|-------------|--------------|
| 01520001TXN | 10           |
| 01520001U   | 500          |

## Dimensions

Dimensions in mm



## Ratings

| Part Number    | Description  | Fuse Rating |
|----------------|--|-------------|
| 01520001TXN940 | Assortment: Fuse Holder with screws and terminals - 10 pcs.        | 60 A        |
| 01520001TXN941 | Assortment: Fuse Holder, Cover with screws and terminals - 10 pcs. | 60 A        |

# MAXI® COMPONENTS

## Ratings

| Part Number | Description                                     |
|-------------|---|
| 01520001_   | Fuse Holder                                     |
| 01520900_   | Cover   |
| 09130653_   | Terminals for wire<br>Ø 2.5 - 6 mm <sup>2</sup> |
| 09130654_   | Terminals for wire<br>Ø 5 - 10 mm <sup>2</sup>  |
| 09130550_   | Screws Ø 5.3 mm, M 5x8                          |

## Ordering Information

| Part Number | Package Size |
|-------------|--------------|
| 01520001TXN | 10           |
| 01520900TXN | 10           |
| 01520900H   | 100          |
| 01520900U   | 500          |
| 09130550LXN | 50           |
| 09130550Z   | 1            |
| 09130653LXN | 50           |
| 09130653Z   | 1500         |
| 09130654LXN | 50           |
| 09130654Z   | 1000         |



# SPLASH RESISTANT FUSE HOLDER

for MAXI® Style Blade Fuse

**RoHS**



## Description

The Inline Splash Resistant Fuse Holder provides an efficient, simple installation method for MAXI® / FK3-style fuse applications in harsh under-the-hood environments

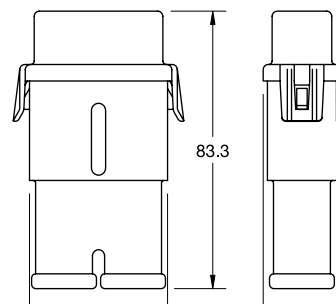
\* PA66-GF30: heat resistant  
UL 94-V0: self extinguishing

## Ordering Information

| Part Number   | Package Size |
|---------------|--------------|
| 01520003TXN   | 10           |
| 279.6800.0001 | 10           |
| 279.6800.0002 | 100          |
| 01520003U     | 500          |

## Dimensions

Dimensions in mm



## Ratings

| Part Number    | Description  | Fuse Rating |
|----------------|--|-------------|
| 01520003TXN941 | Assortment: Fuse Holder 01520003 with terminals, seals and cover for 4-6mm <sup>2</sup> - 10 pcs.      | 60 A        |
| 01520003TXN942 | Assortment: Fuse Holder 01520003 with terminals, seals and cover for 6-10mm <sup>2</sup> - 10 pcs.     | 60 A        |
| 279.6850.0402  | Assortment: Fuse Holder 279.6800.000 with terminals, seals and cover for 4mm <sup>2</sup> - 10 pcs.    | 80 A        |
| 279.6850.0602  | Assortment: Fuse Holder 279.6800.000 with terminals, seals and cover for 6-10mm <sup>2</sup> - 10 pcs. | 80 A        |
| 279.6850.1602  | Assortment: Fuse Holder 279.6800.000 with terminals, seals and cover for 16mm <sup>2</sup> - 10 pcs.   | 80 A        |

# SPLASH RESISTANT MAXI® COMPONENTS

## Ratings

| Part Number   | Description  | Fuse Rating |
|---------------|--|-------------|
| 279.6800.000_ | Fuse Holder UL 94-V0 *                                       | 80 A        |
| 01520003_     | Fuse Holder PA66-GF30*                                       | -           |
| 01520903_     | Cover  | -           |
| 0913726001    | Loose terminals for wire Ø 2.5 - 4 mm <sup>2</sup> - 300 pcs | -           |
| 09130726TXN   | Loose terminals for wire Ø 2.5 - 4 mm <sup>2</sup> - 10 pcs  | -           |
| 0913727001    | Loose terminals for wire Ø 4 - 6 mm <sup>2</sup> - 300 pcs   | -           |
| 09130727TXN   | Loose terminals for wire Ø 4 - 6 mm <sup>2</sup> - 10 pcs    | -           |

## Ratings

| Part Number | Description   | Fuse Rating |
|-------------|---|-------------|
| 0913728001  | Loose terminals for wire Ø 6 - 10 mm <sup>2</sup> - 300 pcs     | -           |
| 09130728TXN | Loose terminals for wire Ø 6 - 10 mm <sup>2</sup> - 10 pcs      | -           |
| 868-905     | Wire seals for wire Ø 2.5 - 6 mm <sup>2</sup> , bulk - 1000 pcs | -           |
| 08680905TXN | Wire seals for wire Ø 2.5 - 6 mm <sup>2</sup> - 10 pcs          | -           |
| 868-906     | Wire seals for wire Ø 6 - 10 mm <sup>2</sup> , bulk - 1000 pcs  | -           |
| 08680906TXN | Wire seals for wire Ø 6 - 10 mm <sup>2</sup> - 10 pcs           | -           |

# INLINE FUSE HOLDER FOR MAXI<sup>®</sup> STYLE BLADE FUSE



### Description

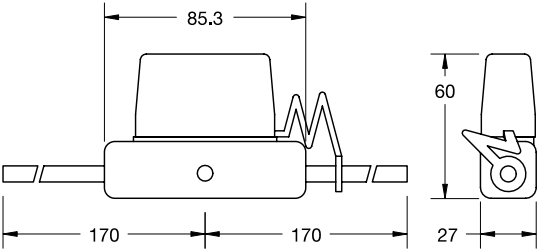
Supplied with two 5" leads - 6 gauge wire for up to 60A MAXI<sup>®</sup>/FK3 Fuse applications, this Inline Fuse Holder also provides a protective cover for harsh under-the-hood environments. Mounting hole also permits easy bulkhead installation.

### Ordering Information

| Part Number | Package Size |
|-------------|--------------|
| MAHC0001ZXJ | 100          |
| MAHC0001TXJ | 10           |

### Dimensions

Dimensions in mm



### Ratings

| Part Number | Description     | Fuse Rating |
|-------------|-----------------|-------------|
| MAHC0001ZXJ | 6AWG black wire | 60 A        |

# INLINE FUSE HOLDER FOR JCASE® STYLE FUSES

RoHS



## Specifications

|                              |                  |
|------------------------------|------------------|
| Maximum Voltage Rating:      | 58V              |
| Maximum Current Rating:      | See table below. |
| Cable Insulation             | GXL, 125°C       |
| Operating Temperature Range: | -40°C to +125°C  |
| Max. Fuse Insertion Force:   | 49N              |

## Ordering Information

| Part Number | Package Size |
|-------------|--------------|
| 0FHJxxxxG   | 250          |
| FHJCxxxxG   | 250          |
| HLJCxxxxG   | 250          |
| 0FHJxxxxL   | 50           |
| FHJCxxxxL   | 50           |
| HLJCxxxxL   | 50           |

## Description

This product is an Inline fuse holder for use with either standard or Low Profile JCASE® fuses, 20A - 60A. It offers size and weight savings compared to MAXI® fuseholders, and has an optional protective cover for splash resistance. Standard product will have two 102mm red wire leads. Wire length and insulation color can be customized upon request. Tinned wires also available upon request. All customizations have minimum order requirements. Contact Littelfuse sales representative for details.

There are two available mounting options: One version with mounting brackets, and one without.

## Ratings

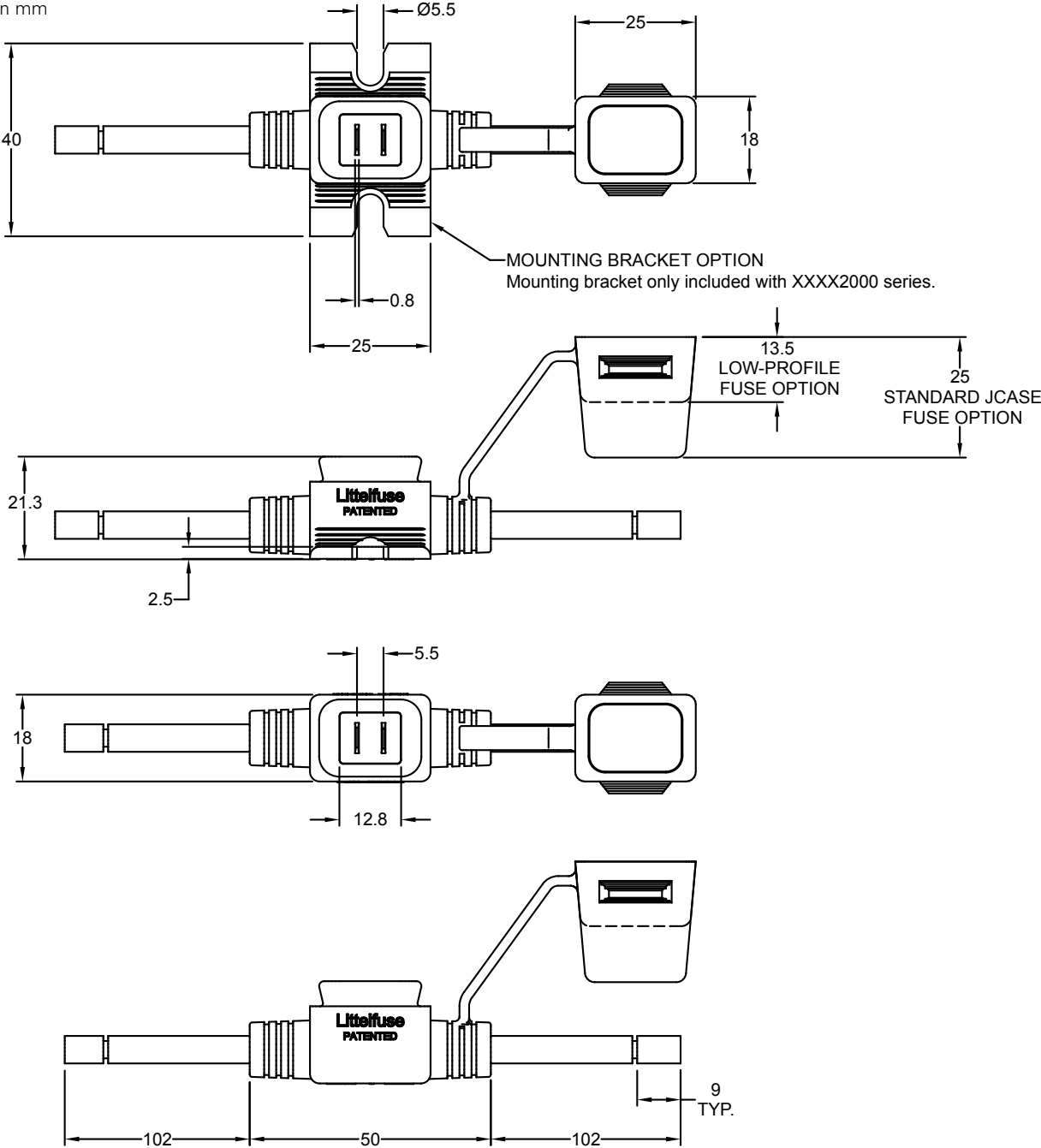
| Part Number | Description              | Cover | Mounting           | Wire Size | Fuse Rating |
|-------------|--------------------------|-------|--------------------|-----------|-------------|
| 0FHJ1001_   | Standard JCASE Holder    | None  | Standard Thru-Hole | 10AWG     | 40 A max    |
| 0FHJ1002_   | Standard JCASE Holder    | None  | Standard Thru-Hole | 8AWG      | 60 A max    |
| 0FHJ2001_   | Standard JCASE Holder    | None  | Mounting Bracket   | 10AWG     | 40 A max    |
| 0FHJ2002_   | Standard JCASE Holder    | None  | Mounting Bracket   | 8AWG      | 60 A max    |
| FHJC1001_   | Standard JCASE Holder    | Yes   | Standard Thru-Hole | 10AWG     | 40 A max    |
| FHJC1002_   | Standard JCASE Holder    | Yes   | Standard Thru-Hole | 8AWG      | 60 A max    |
| FHJC2001_   | Standard JCASE Holder    | Yes   | Mounting Bracket   | 10AWG     | 40 A max    |
| FHJC2002_   | Standard JCASE Holder    | Yes   | Mounting Bracket   | 8AWG      | 60 A max    |
| HLJC1001_   | Low Profile JCASE Holder | Yes   | Standard Thru-Hole | 10AWG     | 40 A max    |
| HLJC1002_   | Low Profile JCASE Holder | Yes   | Standard Thru-Hole | 8AWG      | 40 A max    |
| HLJC2001_   | Low Profile JCASE Holder | Yes   | Mounting Bracket   | 10AWG     | 40 A max    |
| HLJC2002_   | Low Profile JCASE Holder | Yes   | Mounting Bracket   | 8AWG      | 40 A max    |

# INLINE FUSE HOLDER FOR JCASE® STYLE FUSES

RoHS

### Dimensions

Dimensions in mm



## PCB Fuse Holders



|   |            |
|---|------------|
| <b>PCB Mount Fuse Holder for MINI<sup>®</sup> Style Blade Fuse</b>                        | <b>143</b> |
| <b>PCB Mount Fuse Holder for MINI<sup>®</sup> Style Blade Fuse (125V)</b>                 | <b>145</b> |
| <b>FLR PCB Fuse Holder for ATO<sup>®</sup> Style Blade Fuse Rated 80V</b>                 | <b>146</b> |
| <b>FLR PCB Fuse Holder for ATO<sup>®</sup> Style Blade Fuse Rated 58V</b>                 | <b>147</b> |
| <b>FKH Fuse Holder with 90° Connection for ATO<sup>®</sup> Style Blade Fuse Rated 80V</b> | <b>148</b> |
| <b>PCB Fuse Clip for ATO<sup>®</sup> Style Blade Fuse</b>                                 | <b>149</b> |

# PCB MOUNT FUSE HOLDER FOR MINI® STYLE BLADE FUSE



## Description

The MINI® Fuse PCB Fuse Holders bring the reliability and availability of the plug-in 32V MINI® Fuse to the circuit board. Vertical and horizontal mounting of units is offered. The Fuse Holder has “standoffs” to accommodate board washing and incorporates a unique “board lock” anchor to maintain a firm mechanical bond to the PCB.

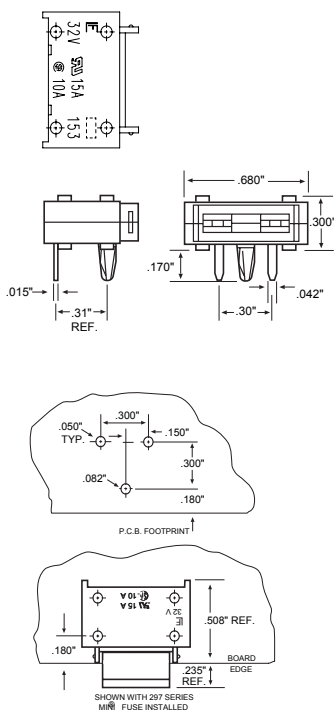
## UL 15A CSA 10A (32V)

| Part Number | Description                            | Fuse Rating |
|-------------|--|-------------|
| 01530007_   | Horizontal Mount                       | 15 A        |
| 01530031_   |  | 20 A        |
| 01530008_   | Single vertical Mount<br>(or End Unit) | 15 A        |
| 01530032_   |  | 20 A        |
| 01530009_   | Stackable vertical Mount               | 15 A        |
| 01530033_   |  | 20 A        |

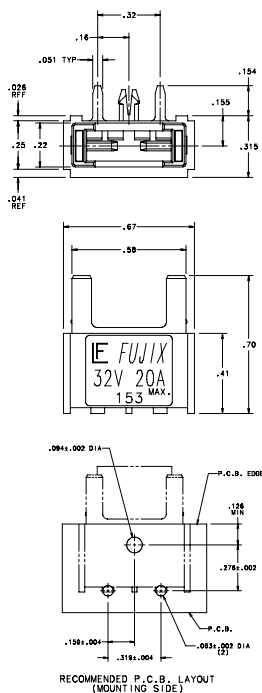
## Ordering Information

| Part Number | Package Size |
|-------------|--------------|
| 015300xLXN  | 50           |
| 015300xZ    | 500          |
| 01530033xZ  | 5000         |

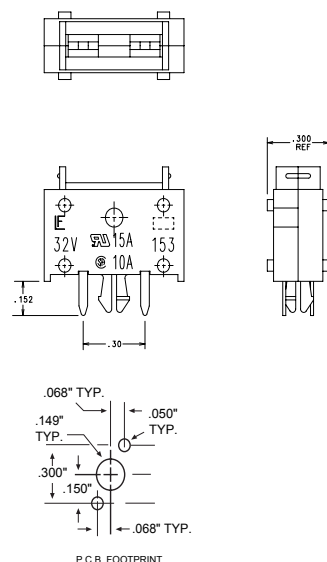
### 0153007\_



### 0153031\_



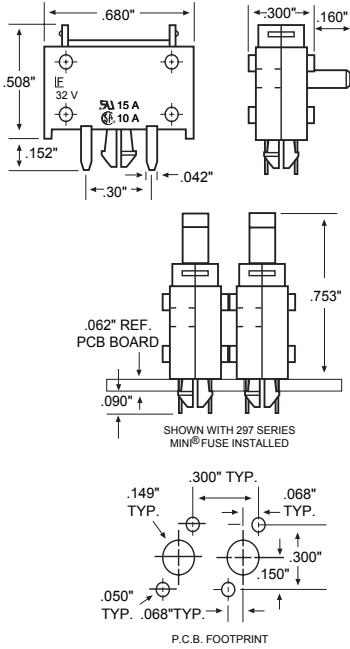
### 0153008\_



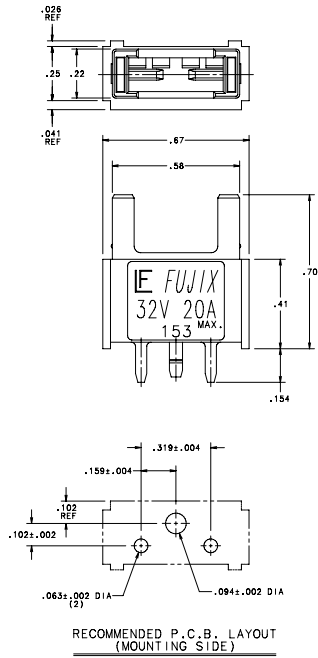
**PCB MOUNT FUSE HOLDER FOR MINI® STYLE BLADE FUSE**



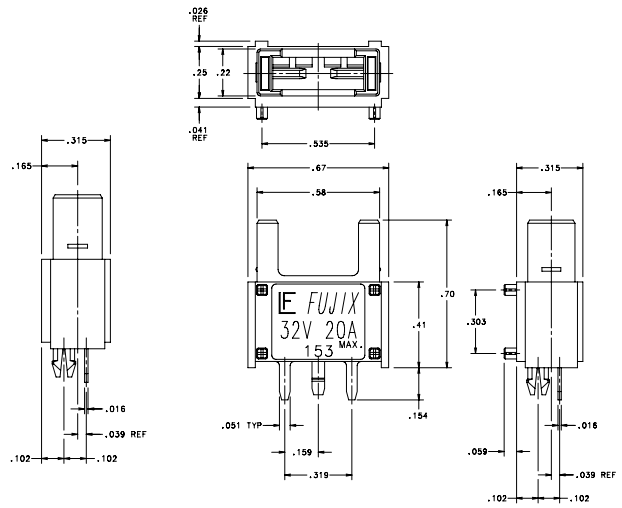
**0153009\_**



**0153032\_**



**0153033\_**



# PCB MOUNT FUSE HOLDER FOR MINI® STYLE BLADE FUSE

RATED 125V

RoHS



## Specifications

Housing: Out of thermoplastic (UL 94-V0, heat-resistant)  
 Connections: Leaf spring connector systems, copper alloy, tinned  
 Color: Black

## Ordering Information

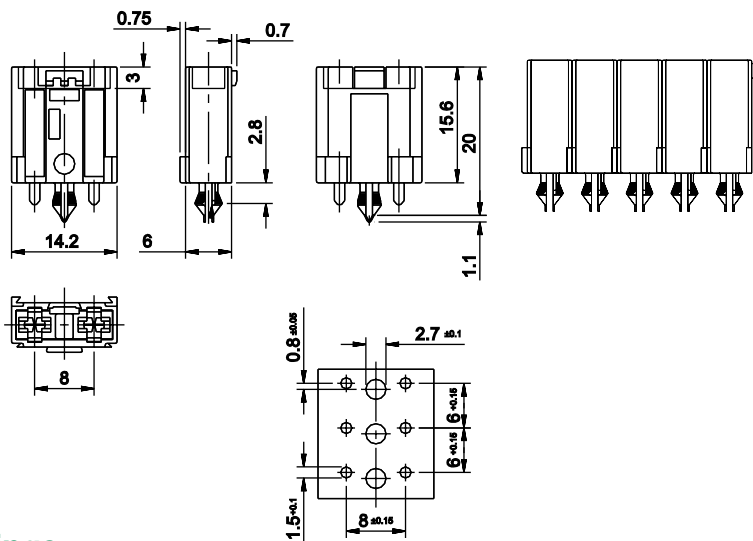
| Part Number   | Package Size |
|---------------|--------------|
| 178.6764.0001 | 100          |

## Description

Fuse holder for MINI/ FK1 fuses for PCB applications. The FL1 Fuse Holder can be mounted in a row of nearly any number. The terminals fit into a 7.62 mm pitch.

## Dimensions

Dimensions in mm



## Ratings

| Part Number   | Description | Contact Temperature |
|---------------|-------------|---------------------|
| 178.6764.0001 | Complete    | max. 130°C          |

The FL1-Fuse Holder can be mounted in a row in nearly any number. The terminals of the holder will also fit into a 7.62 mm pitch.



**FLR PCB FUSE HOLDER FOR ATO® STYLE BLADE FUSE RATED 80V**

**RoHS**



**Description**

PCB Fuse Holder for ATO / FKS size fuse-links. For through hole soldering. Rated voltage 80V.

**Specifications**

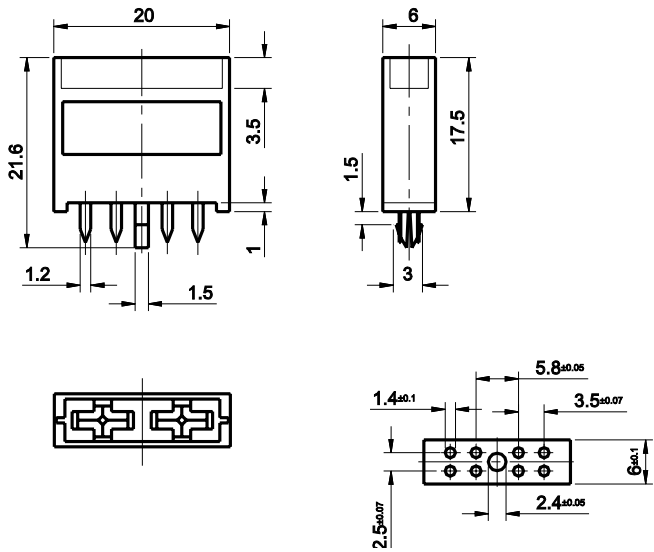
Housing: Out of thermoplastic (UL 94-V0, heat-resistant)  
 Connections: Leaf spring connector systems, soldering terminals (4 pins each), copper alloy, silver plated  
 Color: Black

**Ordering Information**

| Part Number   | Package Size |
|---------------|--------------|
| 178.6165.xxx1 | 100          |
| 178.6165.xxx2 | 500          |

**Dimensions**

Dimensions in mm



**Ratings**

| Part Number   | Description | Contact Temperature |
|---------------|-------------|---------------------|
| 178.6165.000_ | Complete    | max. 130°C          |

Corresponding fuse links see Section "Blade Fuses."

# FLR PCB FUSE HOLDER FOR ATO® STYLE BLADE FUSE RATED 58V

RoHS



## Specifications

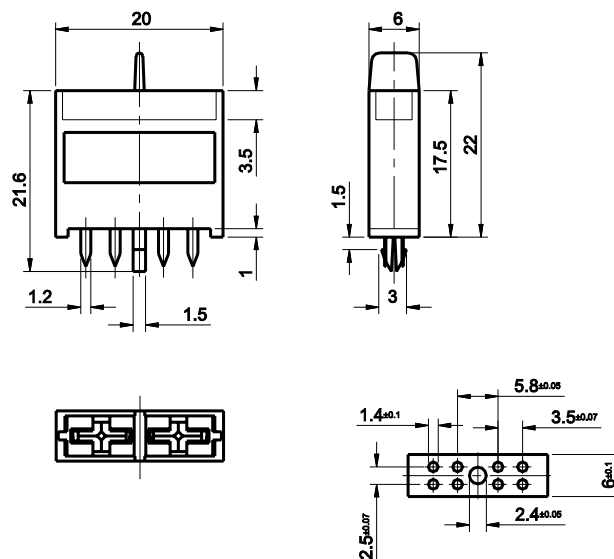
Housing: Out of thermoplastic (UL 94-V0, heat-resistant)  
 Connections: Leaf spring connector systems, soldering terminals  
 (4 pins each), copper alloy, tinned  
 Color: Black

## Ordering Information

| Part Number   | Package Size |
|---------------|--------------|
| 178.4265.0002 | 500          |

## Dimensions

Dimensions in mm



## Description

PCB Fuse Holder for 42V PowerNet with coding for TAC fuses-links. For through hole soldering. Rated voltage 58V.

## Ratings

| Part Number   | Description | Contact Temperature |
|---------------|-------------|---------------------|
| 178.4265.0002 | Complete    | max. 130°C          |

Corresponding fuse links see Section "Blade Fuses."

# FKH FUSE HOLDER WITH 90° CONNECTION

for ATO® Style Blade Fuse Rated 80V

**RoHS**



## Description

Fuse Holder for ATO® / FKS size fuses-links. 90° bended solderable tin plated contacts. Rated voltage 80V.

## Specifications

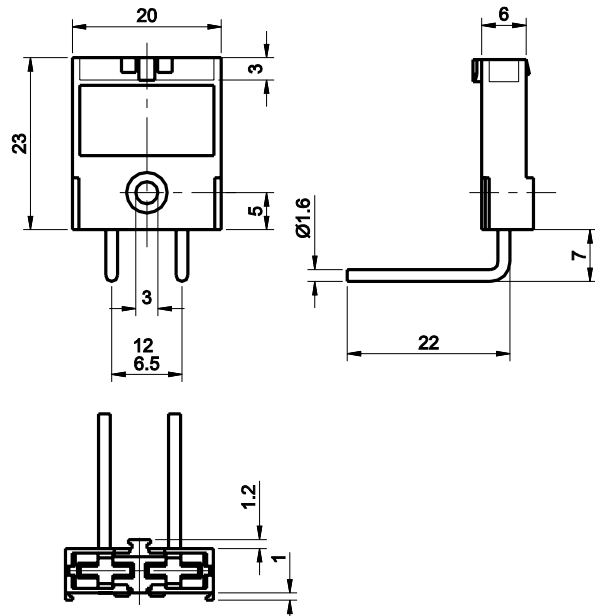
Housing: Out of thermoplastic (UL 94-V0, heat-resistant)  
 Connections: Leaf spring connector systems, soldering contacts (2 pins), copper alloy, tinned  
 Color: Black

## Ordering Information

| Part Number   | Package Size |
|---------------|--------------|
| 178.7017.0001 | 100          |

## Dimensions

Dimensions in mm



## Ratings

| Part Number   | Description | Contact Temperature |
|---------------|-------------|---------------------|
| 178.7017.0001 | Complete    | max. 130°C          |

Corresponding fuse links see Section "Blade Fuses."

## Stackable and Panel Mount Fuse Holders



|  |            |
|--|------------|
| <b>Stackable Panel Mount Fuse Holder with Wire Leads for ATO® Style Blade Fuse</b> | <b>150</b> |
| <b>ATO® Panel Mount Holder Components</b>  | <b>150</b> |
| <b>Snap Mount Fuse Holder for ATO® Style Blade Fuse</b>                            | <b>151</b> |
| <b>Stackable Panel Mount Fuse Holder for ATO® Style Blade Fuse</b>                 | <b>151</b> |
| <b>Panel-Mount Stackable Components</b>  | <b>152</b> |
| <b>FH2 Stackable Block Fuse Holder for ATO® Style Blade Fuse Rated 80V</b>         | <b>153</b> |
| <b>FH2 Stackable Block Fuse Holder for TAC® Style Blade Fuse Rated 58V</b>         | <b>154</b> |
| <b>FKH Stackable Fuse Holder for ATO® Style Blade Fuse Rated 58V</b>               | <b>155</b> |
| <b>FKH Stackable Fuse Holder for ATO® Style Blade Fuse Rated up to 80V</b>         | <b>156</b> |
| <b>Low Profile JCASE® Panel-Mount Fuse Holder</b>                                  | <b>157</b> |

# STACKABLE PANEL MOUNT FUSE HOLDER

with Wire Leads for ATO® Style Blade Fuse



## Description

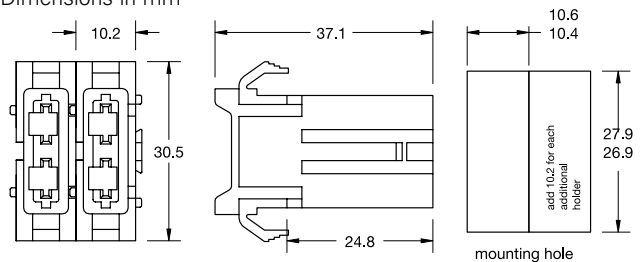
Intended for use with 32V ATO®/ FKS Fuses rated up to 20A or 30A.

## Ordering Information

| Part Number | Package Size |
|-------------|--------------|
| 01550xxxLXN | 50           |
| 01550xxxZ   | 100          |

## Dimensions

Dimensions in mm



## Ratings

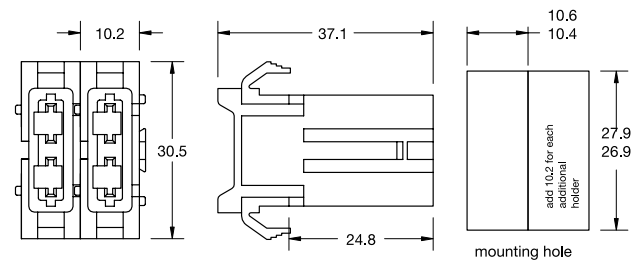
| Part Number | Description                                   | Fuse Rating |
|-------------|---|-------------|
| 01550300_   | 14AWG/2.1mm <sup>2</sup> stranded black wire  | 20 A        |
| 01550400_   | 10AWG/5.3mm <sup>2</sup> stranded orange wire | 30 A        |

# ATO® PANEL MOUNT HOLDER COMPONENTS



## Dimensions

Dimensions in mm



## Ratings

| Part Number | Description   | Fuse Rating |
|-------------|---|-------------|
| 868-062-000 | Housing only, color black - 2700 pcs.                         | -           |
| 913-008     | Reeled Terminals A, wire 14AWG/2.1mm <sup>2</sup> -6000 pcs.  | 20A         |
| 913-008-001 | Singe Terminals A, wire 14AWG/2.1mm <sup>2</sup> -1000 pcs.   | 20A         |
| 913-007     | Reeled Terminals B, wire 10AWG/5.3mm <sup>2</sup> - 5000 pcs. | 30A         |
| 913-007-001 | Singe Terminals B, wire 10AWG/5.3mm <sup>2</sup> -1000 pcs.   | 30A         |

# SNAP MOUNT FUSE HOLDER

for ATO® Style Blade Fuse



## Description

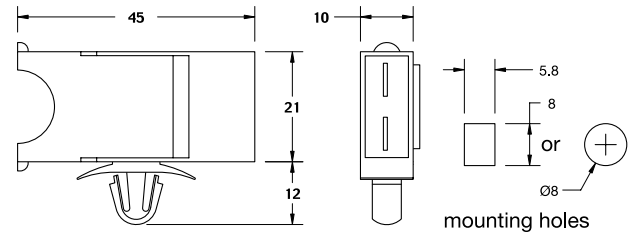
Intended for use with 32V ATO / FKS Fuses rated up to 20A.

## Ordering Information

| Part Number | Package Size |
|-------------|--------------|
| 01510001LXN | 50           |
| 01510001F   | 200          |

## Dimensions

Dimensions in mm



## Ratings

| Part Number | Description                              | Fuse Rating |
|-------------|--|-------------|
| 01510001_   | Snap-mount holder assembled, color black | 20 A        |

# STACKABLE PANEL MOUNT FUSE HOLDER

for ATO® Style Blade Fuse

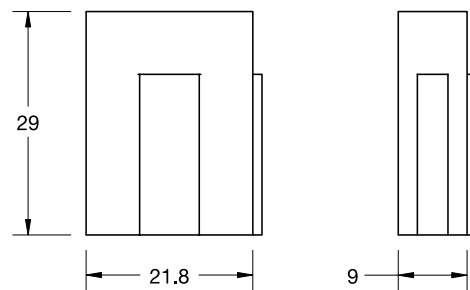


## Description

Intended for use with 32V ATO / FKS Fuses rated up to 20A.

## Dimensions

Dimensions in mm



## Ratings

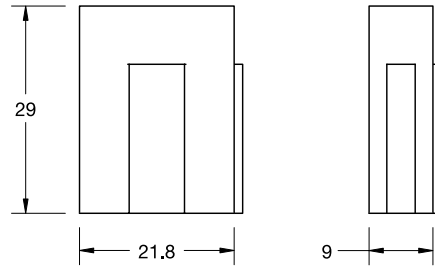
| Part Number | Description   | Fuse Rating |
|-------------|---|-------------|
| 08680900LXN | Assortment: Holders with brackets and terminals, color black - 50 pcs | 20 A        |

**PANEL-MOUNT STACKABLE COMPONENTS**



**Dimensions**

Dimensions in mm



**Ratings**

| Part Number   | Description  | Fuse Rating |
|---------------|--|-------------|
| 868-900-010RM | Holder only, color black - 100 pcs.                            | -           |
| 868-900-020RM | Brackets only, color black - 100 pcs.                          | -           |
| 09130900Z     | Terminals loose,<br>wire 0.5 - 1.25 mm <sup>2</sup> - 200 pcs. | -           |

# FH2 STACKABLE BLOCK FUSE HOLDER

for ATO® Style Blade Fuse Rated 80V

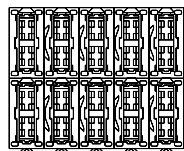
RoHS



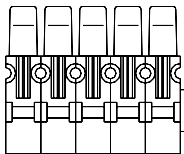
## Description

Blockholder for ATO / FKS size fuses-links. Attachable in X- and Y-direction. Rated voltage 80V; crimp terminals.

Chart for row-mounting



10er/pcs. Block



## Specifications

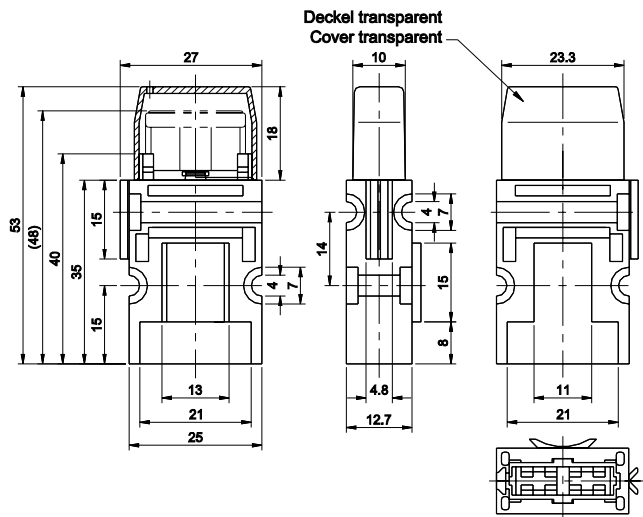
Housing: Out of thermoplastic (UL 94-V0, heat-resistant)  
 Connections: Leaf spring connector systems, crimp contacts, copper alloy, tinned  
 Color: Black  
 Cover: Thermoplastic (transparent)

## Ordering Information

| Part Number   | Package Size |
|---------------|--------------|
| 178.6105.0001 | 100          |
| 178.6105.0002 | 1000         |
| 178.6115.0001 | 100          |
| 178.6115.0002 | 1000         |

## Dimensions

Dimensions in mm



## Ratings

| Part Number    | Description                                 | Contact Temperature |
|----------------|---|---------------------|
| 178.6105.000_  | Complete with DFK 1.5 - 2.5 mm <sup>2</sup> | max. 130°C          |
| 178.6115.000_  | Housing                                     | -                   |
| 178.6125.000_  | Cover                                       | -                   |
| 178.6116.100_* | DFK-Kontakte 0.5-1.0mm <sup>2</sup>         | max. 130°C          |
| 178.6116.250_* | Contacts 1.5-2.5mm <sup>2</sup>             | max. 130°C          |
| 178.6116.600_* | Contacts 4.0-6.0mm <sup>2</sup>             | max. 130°C          |

\* Crimping tool available on request.  
 Corresponding fuse links see Section "Blade Fuses."



# FH2 STACKABLE BLOCK FUSE HOLDER

for TAC® Style Blade Fuse Rated 58V

**RoHS**



## Specifications

Housing: Out of thermoplastic (UL 94-V0, heat-resistant)  
 Connections: Leaf spring connector systems, crimp contacts, copper alloy, tinned  
 Color: Black  
 Cover: Thermoplastic (transparent)

## Ordering Information

| Part Number   | Package Size |
|---------------|--------------|
| 178.4205.0002 | 1000         |
| 178.4215.0002 | 1000         |
| 178.6116.xxx1 | 200          |
| 178.6116.xxx2 | 1000         |
| 178.6125.0001 | 100          |
| 178.6125.0002 | 1000         |

## Description

Blockholder for 42V PowerNet with coding for TAC® fuses-links. Attachable in X- and Y-direction. Rated voltage 58V; crimp terminals.

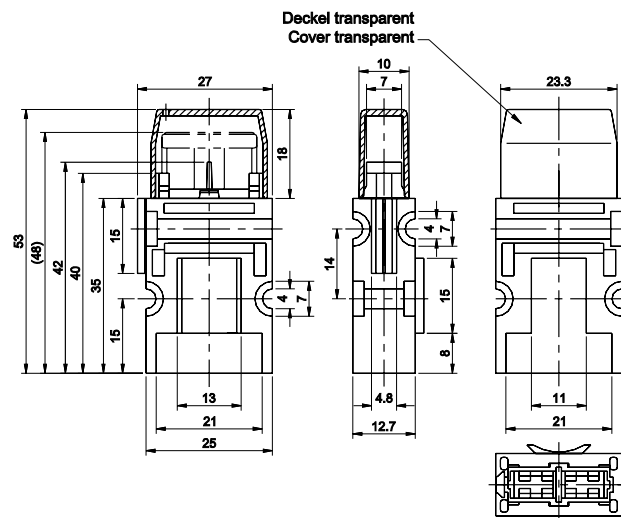
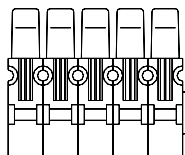
## Dimensions

Dimensions in mm

Chart for row-mounting



10er/pcs. Block



## Ratings

| Part Number    | Description                                 | Contact Temperature |
|----------------|---|---------------------|
| 178.4205.000_  | Complete with DFK 1.5 - 2.5 mm <sup>2</sup> | max. 130°C          |
| 178.4215.000_  | Housing                                     | —                   |
| 178.6125.000_  | Cover                                       | —                   |
| 178.6116.100_* | Complete with DFK 0.5 - 1.0 mm <sup>2</sup> | max. 130°C          |
| 178.6116.250_* | Contacts 1.5-2.5mm <sup>2</sup>             | max. 130°C          |
| 178.6116.600_* | Contacts 4.0-6.0mm <sup>2</sup>             | max. 130°C          |

# FKH STACKABLE FUSE HOLDER

for ATO® Style Blade Fuse Rated 58V

RoHS



## Specifications

Housing + Adapter: Out of thermoplastic (UL 94-V0, heat-resistant)  
 Connections: Leaf spring connector systems, soldering terminals (4 pins each), copper alloy, tinned  
 Color: Black

## Ordering Information

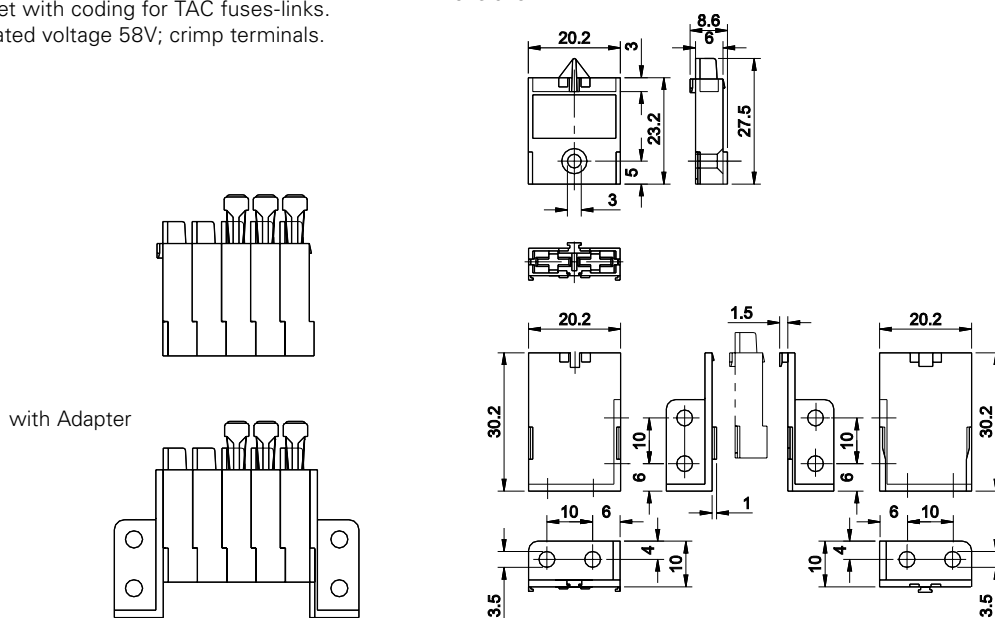
| Part Number   | Package Size |
|---------------|--------------|
| 178.4250.0002 | 1000         |
| 178.4252.0002 | 1000         |
| 178.6116.xxx1 | 200          |
| 178.6116.xxx2 | 1000         |
| 178.619x.0001 | 100          |

## Description

Fuse Holder for 42V PowerNet with coding for TAC fuses-links. Attachable in X - direction. Rated voltage 58V; crimp terminals.

## Dimensions

Dimensions in mm



## Ratings

| Part Number   | Description                        | Contact Temperature |
|---------------|------------------------------------|---------------------|
| 178.4252.0002 | Complete                           | max. 130°C          |
| 178.4250.0002 | Housing                            | -                   |
| 178.6116.250_ | Contacts 1.5 - 2.5 mm <sup>2</sup> | max. 130°C          |
| 178.6191.0001 | Adapter right                      | -                   |
| 178.6192.0001 | Adapter left                       | -                   |

Corresponding fuse links see Section "Blade Fuses."  
 This FKH 58V Fuse Holder can be mounted in row in any number. The fixing adapters are not included in the Fuse Holder. Please order the adapter separately.

# FKH STACKABLE FUSE HOLDER

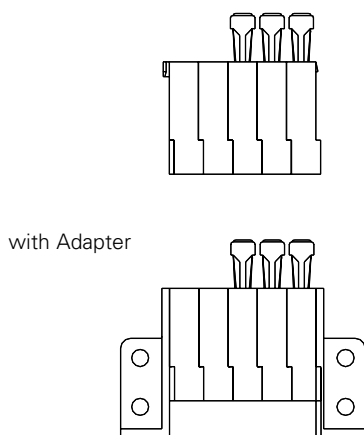
for ATO® Style Blade Fuse Rated up to 80V

**RoHS**



## Description

Fuse Holder for ATO® / FKS size fuses-links. Attachable in X - direction. Rated voltage up to 80V; crimp terminals.



## Specifications

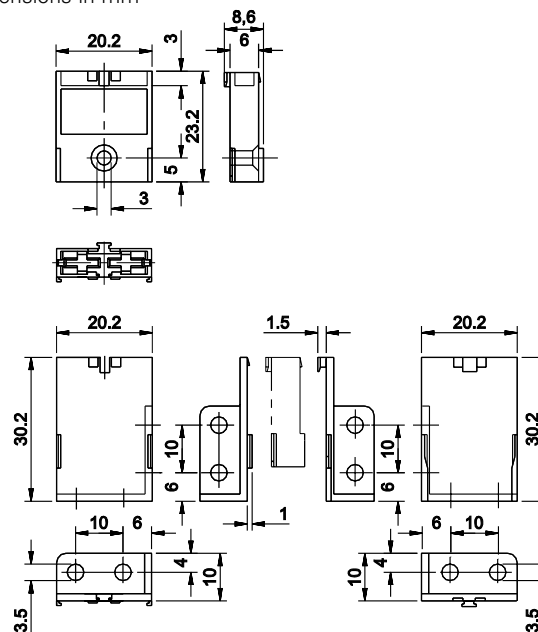
Housing + Adapter: Out of thermoplastic (UL 94-V0, heat-resistant)  
 Connections: Leaf spring connector systems, soldering terminals, copper alloy, tinned  
 Color: Black

## Ordering Information

| Part Number   | Package Size |
|---------------|--------------|
| 178.6152.0001 | 100          |
| 178.6150.0001 | 1000         |
| 178.6116.xxx1 | 200          |
| 178.6116.xxx2 | 1000         |
| 178.619x.0001 | 100          |

## Dimensions

Dimensions in mm



## Ratings

| Part Number   | Description                                  | Contact Temperature |
|---------------|--|---------------------|
| 178.6152.000_ | Complete with terminals                      | max. 130°C          |
| 178.6150.000_ | Housing Only                                 | -                   |
| 178.6116.250_ | Terminals of 1.5 - 2.5 mm <sup>2</sup>       | max. 130°C          |
| 178.6152.250_ | With 200 mm of 2.5 mm <sup>2</sup> wire loop | -                   |
| 178.6191.0001 | Adapter right                                | -                   |
| 178.6192.0001 | Adapter left                                 | -                   |

Corresponding fuse links see Section "Blade Fuses."

This FKH-Fuse Holder can be mounted in row in any number. The fixing adapters are not included in the Fuse Holder. Please order the adapter separately.

# LOW PROFILE JCASE® PANEL-MOUNT FUSE HOLDER

RoHS

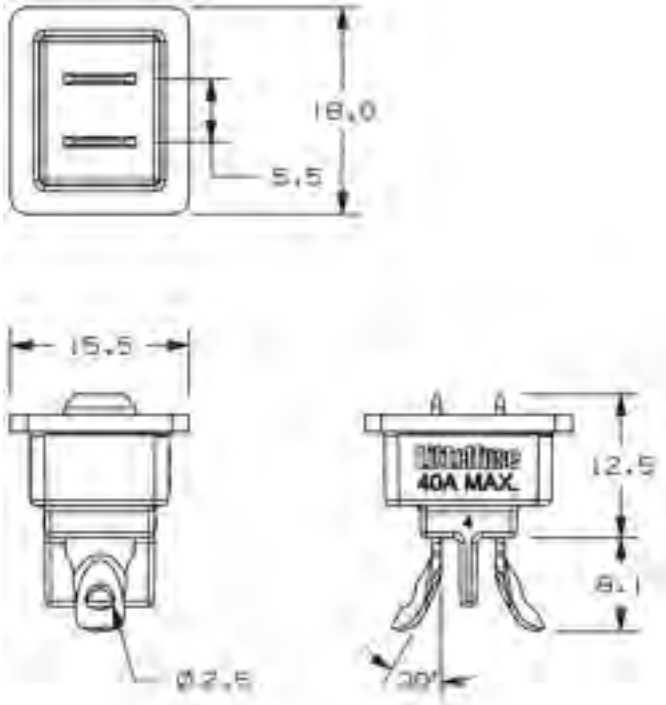


### Description

Used with LP JCASE® fuses up to 40A. Holder will use 12 AWG / 3 mm<sup>2</sup> wire. Fuse not included.

### Dimensions

Dimensions in mm



### Ratings

| Part Number | Description                                   | Fuse Rating |
|-------------|---|-------------|
| 0FHJ3003U   | Low Profile JCASE® Holder with soldering tabs | 40 A max    |

## Bolt-Down Fuse Holders & Assemblies



|  |            |
|--|------------|
| <b>Fuse Holder for MIDI®/BF1 Style Fuse</b>                            | <b>159</b> |
| <b>MIDI®/BF1 2 &amp; 3-Way Fuse Holder</b>                             | <b>159</b> |
| <b>Inline MIDI® Fuse Holder</b>  | <b>160</b> |
| <b>Bolt-Down Fuse Holders for MEGA® Style Fuse</b>                     | <b>161</b> |
| <b>Splash Resistant Fuse Holder<br/>for MEGA® Style Bolt-Down Fuse</b> | <b>161</b> |
| <b>MEGA®-FLEX Holder for MEGA® Fuses</b>                               | <b>162</b> |
| <b>Fuse Base for Fuse Strips Rated 80V for Single</b>                  | <b>164</b> |
| <b>Fuse Base for Fuse Strips Rated 80V for Double</b>                  | <b>165</b> |
| <b>Battery Clamp for CF8 Fuse Rated 58V</b>                            | <b>166</b> |
| <b>Insulating Nuts for CF8 Fuse</b>                                    | <b>167</b> |

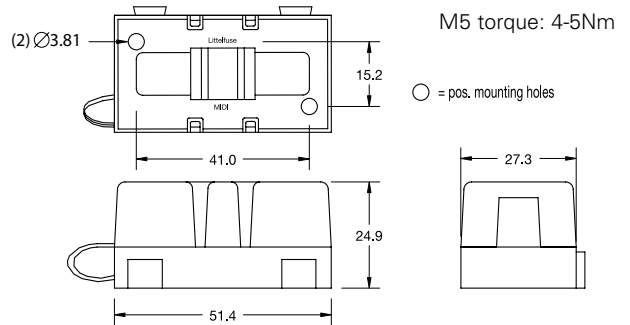
## FUSE HOLDER FOR MIDI®/BF1 STYLE FUSE

RoHS



### Dimensions

Dimensions in mm



### Description

Use with BF1 /MIDI® fuses up to 200A. Includes protective cover. Features interconnecting pins on side of fuse block for secure multiple block configurations. Includes M5 threaded studs and hex nuts with lock washers. Fuse not included.

### Ratings

| Part Number | Description                              | Fuse Rating |
|-------------|--|-------------|
| 04980900ZXT | 330 pcs.                                 | 200 A       |
| 04980903ZXT | Holder with mounting brackets - 264 pcs. | 200 A       |

Corresponding fuses see Section "Bolt-Down Fuses."

## MIDI®/BF1 2 & 3-WAY FUSE HOLDER

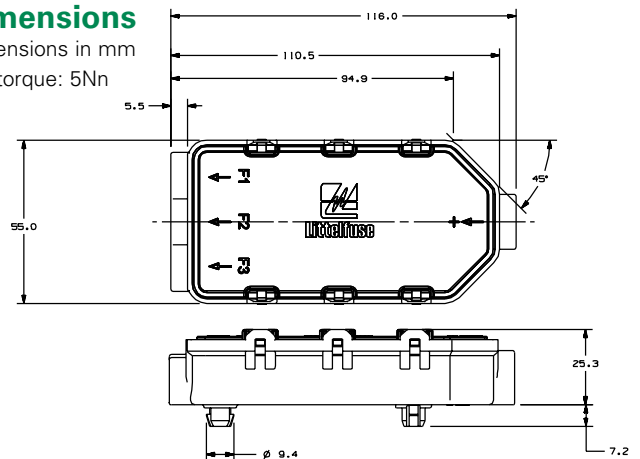
RoHS



### Dimensions

Dimensions in mm

M5 torque: 5Nm



### Description

This splash-resistant fuse holder with cover can be flexible enough to be used with 2 or 3 MIDI® fuses. A Snap-on fixes the sheet metals in the holder. The holder includes M5 threaded bolts and cover seal. Busbar and cable seals are optional. Fuse not included.

### Ratings

| Part Number     | Description  | Fuse Rating |
|-----------------|--|-------------|
| 0HBF0001ZXBASE3 | Holder complete for 3 way (includes M5 bolts & cover seal) | 200 A       |
| 0HBF0001ZXBASE2 | Holder complete for 2 way (includes M5 bolts & cover seal) | 200 A       |
| 0HBF0001ZXCOVER | Cover  | -           |

**INLINE MIDI® FUSE HOLDER**

**RoHS**



**Specifications**

|                              |                                 |
|------------------------------|---------------------------------|
| Max. Voltage Rating:         | 32 VDC                          |
| Max. Fuse Rating:            | 200A                            |
| Operating Temperature Range: | -40°C to +125°C                 |
| Max. Wire Size:              | 20mm <sup>2</sup>               |
| M5 Torque Rating:            | 5Nm                             |
| Base/Cover Material:         | UL 94V-0 glass-filled nylon     |
| M5 Bolt Material:            | Zinc-plated                     |
| M5 Nuts:                     | Zinc-plated with nylock inserts |

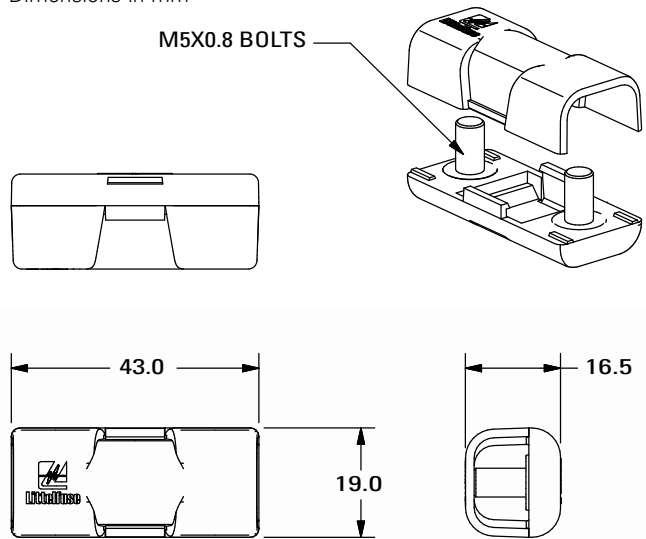
**Description**

The Inline MIDI® fuseholder is designed for use with bolt-down MIDI® style fuses. It may be installed directly inline with the cables with no mounting required.

The Inline MIDI® fuse holder can be used with heat shrink tubing for applications requiring more splash resistance. The curved design of the cover aids in prevention of tube-splitting during application.

**Dimensions**

Dimensions in mm



**Ratings**

| Part Number  | Description  |
|--------------|--|
| 04980921GXM5 | Assembly with hardware and cover installed (Zinc-plated steel) |
| 498921-1     | Cover-only   |
| 498921-2     | Base only with hardware installed (Zinc-plated steel)          |

# BOLT-DOWN FUSE HOLDERS FOR MEGA® STYLE FUSE

RoHS



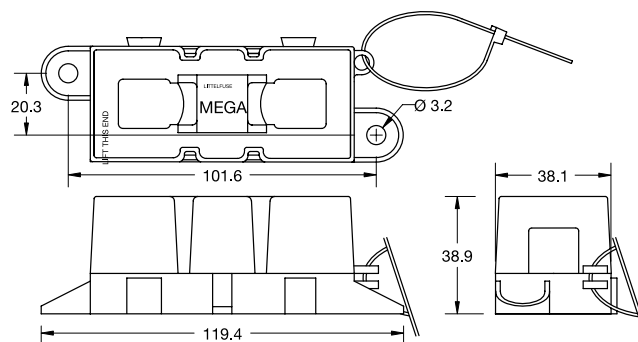
## Description

Use with MEGA® fuses up to 500A. Ideal for battery and alternator connections and other heavy gauge cables requiring ultra high current protection. Includes protective cover. Features interconnecting pins on side of fuse block for secure multiple block configurations. Includes M8 threaded studs and hex nuts with lock washers. Fuse not included.

## Dimensions

Dimensions in mm

M8 torque: 12-18Nm



## Ratings

| Part Number | Description | Fuse Rating |
|-------------|-------------|-------------|
| 02981001ZXT | 160 pcs.    | 500 A       |

Corresponding fuses see Section "Bolt-Down Fuses."

# SPLASH RESISTANT FUSE HOLDER

for MEGA® Style Bolt-Down Fuse



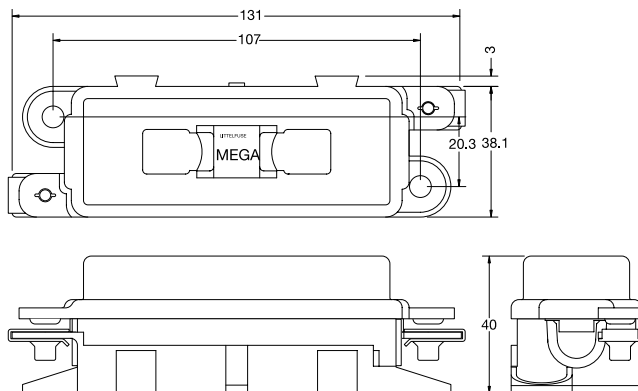
## Description

For use with MEGA® fuses the holder offers splash-resistant protection for use in harsh environments.

## Dimensions

Dimensions in mm

M8 torque: 12-18Nm



## Ratings

| Part Number | Description | Fuse Rating |
|-------------|-------------|-------------|
| 298907-030  | Holder      | 250 A       |
| 298907-040  | Cover       | -           |

Corresponding fuses see Section "Bolt-Down Fuses."



# MEGA®-FLEX HOLDER FOR MEGA® FUSES

**RoHS**



## Specifications

|   |                         |
|---|-------------------------|
| Max. Voltage Rating:                          | 32 VDC                  |
| Max. Current Rating:                          | 500A                    |
| Operating Temperature Range:                  | -40°C to +125°C         |
| Wire Size:                                    | 70 - 8 mm <sup>2</sup>  |
| Recommended Fuse Installation Torque:         | 12 - 18Nm               |
| Recommended Mounting (using M6 Screw/Washer): | 5Nm                     |
| Base Material:                                | UL94V0 Glass-filled PPA |
| Cover Material:                               | UL94V0 Elastomer        |

## Description

The MEGA®-FLEX fuse holder is used with the MEGA® style bolt-down fuse, which is available up to 500A. This holder offers a flexible cover, which allows cable entry from virtually any direction, large wire size, and ring terminal stack up. Slots on the base allow holder to be mounted with tie wraps. Dovetail features allow you to interlock multiple MEGA®-FLEX fuse holders together for a high power distribution block. Bus bars are available for multiple holder applications.

## Ratings

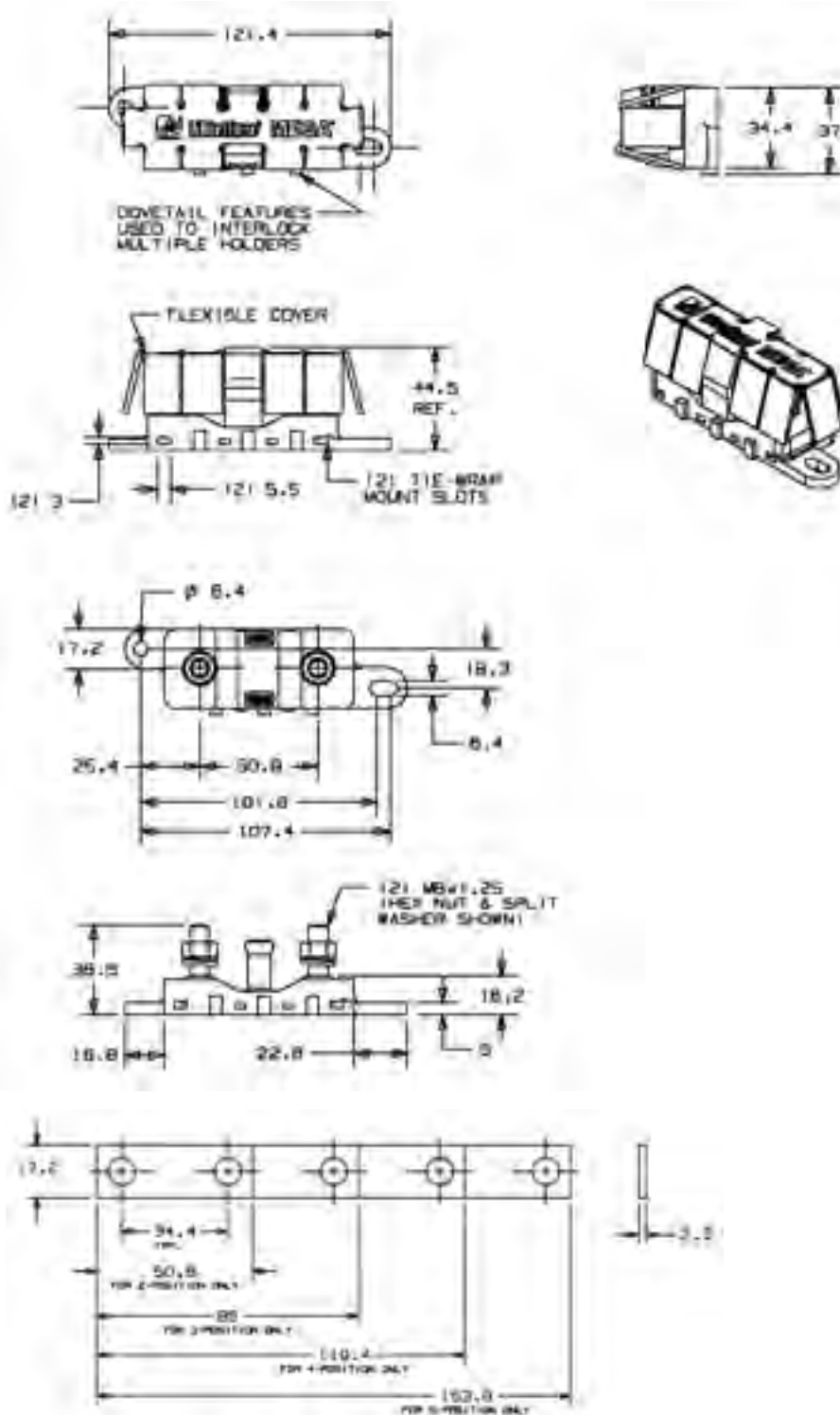
| Part Number     | Description             | Material (Studs and hardware) |
|-----------------|-------------------------|-------------------------------|
| 02981028HXFCB   | Base-only (No Hardware) | Zinc-Plated Steel             |
| 02981028HXFCC   | Cover-only              | -                             |
| 02981028HXFC    | Assembly                | Zinc-Plated Steel             |
| 02981028HXFC-SS | Assembly                | Stainless Steel               |
| 882-839-2       | 2-Position bus Bar      | Tin-Plated Copper             |
| 882-839-3       | 3-Position bus Bar      | Tin-Plated Copper             |
| 882-839-4       | 4-Position bus Bar      | Tin-Plated Copper             |
| 882-839-5       | 5-Position bus Bar      | Tin-Plated Copper             |

# MEGA<sup>®</sup>-FLEX HOLDER FOR MEGA<sup>®</sup> FUSES

RoHS

## Dimensions

Dimensions in mm



# FUSE BASE FOR FUSE STRIPS RATED 80V FOR SINGLE

RoHS



## Specifications

Base: Insulation material according to DIN 7708/1  
Spring washer according ISO 4036  
Hexagon nuts according to DIN 439  
Washer according to DIN 125

Conducting Materials: Copper wrought alloy

Color: Black

## Ordering Information

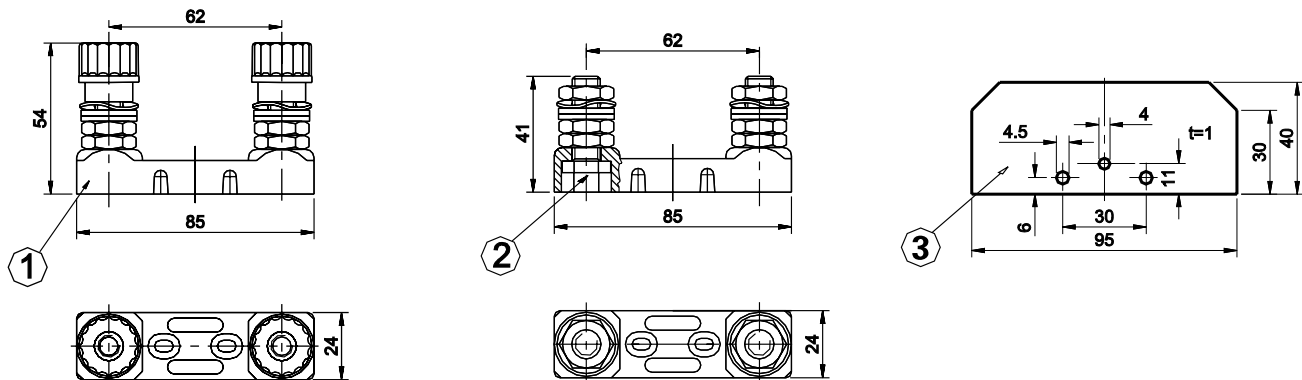
| Part Number   | Package Size |
|---------------|--------------|
| 177.57xx.0001 | 10           |
| 192.5710.0001 | 10           |

## Description

Fuse base for fuse strips with 62 mm spacing. Up to 80V.

## Dimensions

Dimensions in mm



## Ratings

| Part Number   | Description      | Contact Temperature |
|---------------|------------------|---------------------|
| 177.5701.0001 | 1) Fuse base     | max. 425 A          |
| 177.5731.0001 | 2) Fuse base     | max. 425 A          |
| 192.5710.0001 | 3) Phase barrier | -                   |

Corresponding fuse strips see Section "Bolt-Down Fuses."

# FUSE BASE FOR FUSE STRIPS RATED 80V FOR DOUBLE

RoHS



## Specifications

Base: Insulation material according to DIN 7708/1  
 Spring washer according ISO 4036  
 Hexagon nuts according to DIN 439  
 Washer according to DIN 125

Conducting Materials: Copper wrought alloy

Color: Black

## Ordering Information

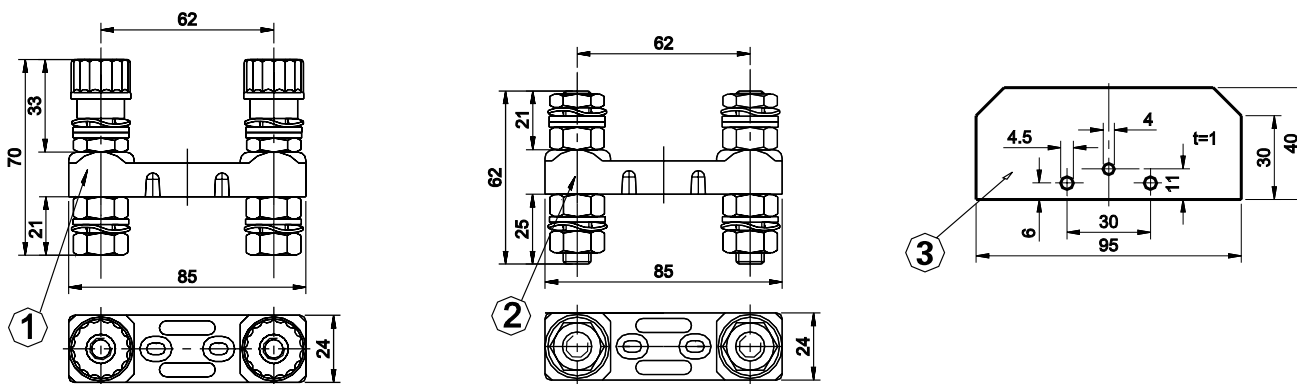
| Part Number   | Package Size |
|---------------|--------------|
| 177.57xx.0001 | 10           |
| 192.57xx.0001 | 10           |

## Description

Fuse base for fuse strips with 62 mm spacing. Up to 80V.

## Dimensions

Dimensions in mm



## Ratings

| Part Number   | Description      | Contact Temperature |
|---------------|------------------|---------------------|
| 177.5702.0001 | 1) Fuse base     | max. 250 A          |
| 177.5741.0001 | 2) Fuse base     | max. 250 A          |
| 192.5710.0001 | 3) Phase barrier | -                   |

Corresponding fuse strips see Section "Bolt-Down Fuses."

# BATTERY CLAMP FOR CF8 FUSE RATED 58V

RoHS



## Specifications

Material: Brass G-Cu Zn 33 Pb  
Starting Torque: 10 Nm at batterypole, 12 Nm Compact Fuse

## Ordering Information

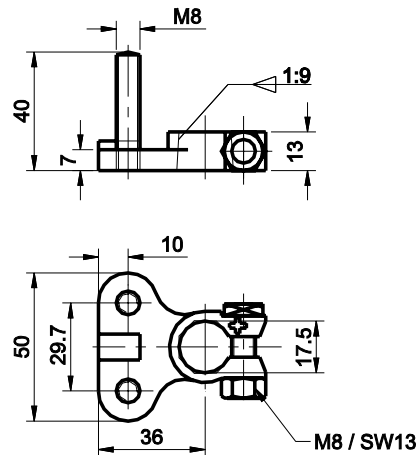
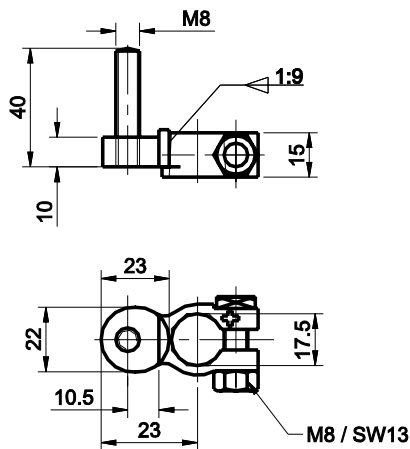
| Part Number   | Package Size |
|---------------|--------------|
| 255.1000.0001 | 100          |
| 255.2000.0001 | 50           |

## Description

Battery clamp for CF8 Fuse links. Both battery clamps have an integrated twisted protection for the CF8-fuse link.

## Dimensions

Dimensions in mm



## Ratings

| Part Number   | Description          | Fuse Rating          |
|---------------|----------------------|----------------------|
| 255.1000.0001 | Battery clamp 1 pole | max. 250 A (23+-5°C) |
| 255.2000.0001 | Battery clamp 2 pole | max. 250 A (23+-5°C) |

CF8-fuses links only in conjunction with Insulating nuts 255.0808.0001, 255.0899.4001 or 255.0899.5001.  
Corresponding CF8-fuse links see Section "Bolt-Down Fuses." If the ring terminal makes contact with the terminal fuse stud, the fuse is bypassed and is not protecting the circuit. Insert CF8-Fuse links only in conjunction with the insulating nut see next page.

# INSULATING NUTS FOR CF8 FUSE

RoHS



## Specifications

Material: Thermoplastic, Duroplastic  
 Packaging Unit: Pos.1 = 250 pieces  
 Pos.2 + 3 = 100 pieces

## Ordering Information

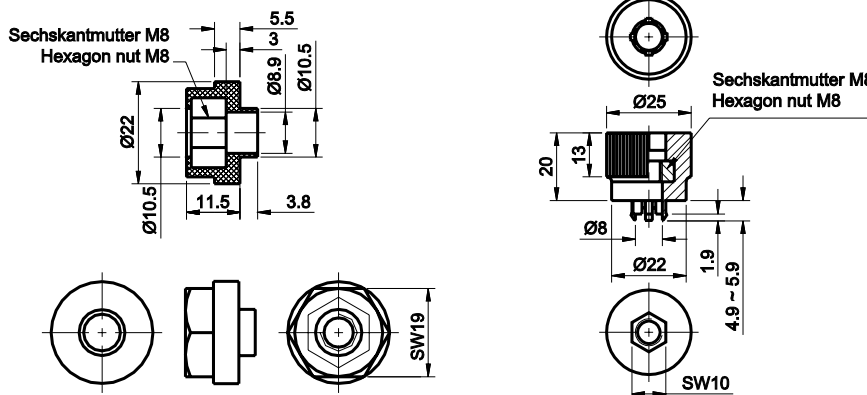
| Part Number   | Package Size |
|---------------|--------------|
| 255.0808.xxx1 | 250          |
| 255.0899.xxx1 | 100          |

## Description

Insulating nuts for CF8 Fuse links.

## Dimensions

Dimensions in mm



## Ratings

| Part Number   | Description   | Contact Temperature    |
|---------------|---|------------------------|
| 255.0808.0001 | Insulating nut (Duroplastic)                                    | max. 300 A (23°C+-5°C) |
| 255.0899.4001 | Insulating nut with locking hook 4.9 mm (Thermoplastic) (Red)   | max. 150 A (23°C+-5°C) |
| 255.0899.5001 | Insulating nut with locking hook 5.9 mm (Thermoplastic) (Black) | max. 150 A (23°C+-5°C) |

Corresponding fuse links see Section "Bolt-Down Fuses."  
 If the ring terminal makes contact with the terminal fuse stud, the fuse is bypassed and is not protecting the circuit.

## Fuse Pullers



|  |            |
|--|------------|
| <b>Pullers</b>                             | <b>169</b> |
| <b>Pullers / Tester</b>                    | <b>169</b> |
| <b>Fuse Puller - MINI<sup>®</sup> Fuse</b> | <b>170</b> |

# PULLERS



## Description

Allows for easy fuse removal and replacement.

## Ordering Information

| Part Number    | Package Size |
|----------------|--------------|
| 165.0020.0002  | 500          |
| 00970021HXNVDL | 100          |
| 00970021NXVDL  | 5000         |
| 00970023HXN    | 100          |
| 00970023Z      | 500          |
| 00970024M      | 1000         |
| 00970024Z      | 7500         |
| 00970027LXN    | 50           |
| 00970027N      | 2000         |
| 00970053Z      | 1            |
| 00970999P      | 2000         |

## Ratings

| Part Number   | Description                |
|---------------|----------------------------|
| 165.0020.000_ | ATO® / MINI® / MAXI™ Style |
| 00970021_     | ATO® / MINI® Style         |
| 00970023_     | ATO® / MINI® / Glass Style |
| 00970024_     | MINI® Style                |
| 00970027_     | MAXI™ Style                |
| 00970053_     | JCASE® Style               |
| 00970999_     | ATO® Style                 |

# PULLER / TESTER

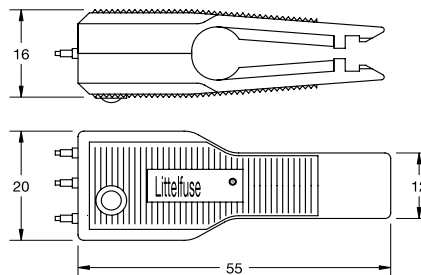


## Description

Conveniently and easily tests ATO® and MINI® blade fuses either in or out of the fuse block. Indicator light on tester glows bright green when fuse is good. Fuse puller end allows for easy fuse removal and replacement. 24V maximum.

## Dimensions

Dimensions in mm



## Ordering Information

| Part Number | Package Size |
|-------------|--------------|
| 00970019X   | 10           |

## Ratings

| Part Number | Description       |
|-------------|-------------------|
| 00970019X   | ATO® /MINI® Style |



## FUSE PULLER - MINI® FUSE



### Description

This fuse puller is designed to allow for easy removal of MINI® fuses and other MINI® style components. Its narrow profile enables you to remove a fuse even when nested between two larger components (i.e. relays.) The material used provides a robust design that lasts through multiple fuse withdrawal cycles.

This puller is used primarily with the Littelfuse FLEC™ Flexible Electrical Center, but can be used with any other junction box, power distribution center or fuse holder that uses MINI® components.

### Specifications

Material:

PBT

### Ordering Information

| Part Number |
|-------------|
|-------------|

|           |
|-----------|
| 00970032Z |
|-----------|

As the world's #1 brand in circuit protection Littelfuse offers the broadest and deepest portfolio of circuit protection products and a global network of technical support, backed by more than 85 years of application design expertise. For all of your circuit protection needs visit our Technical Resources center at [www.littelfuse.com/technical-resources](http://www.littelfuse.com/technical-resources)

- **Application Notes**
- **Application Testing**
- **SPICE Models**
- **Local Technical Support**
- **Reference Designs**
- **Product Samples**
- **Technical Articles**
- **Certification Documents**
- **Data Sheets**



[WWW.LITTELFUSE.COM](http://www.littelfuse.com)

Littelfuse is the world leader in circuit protection. We offer an extensive selection of circuit protection technologies for Automotive applications. Littelfuse circuit protection expert staff can assist you in designing circuit protection for your most demanding applications. Solutions for over-current applications as well as over-voltage applications are available from Littelfuse.

**Low Current Distribution (LCD)** MICRO2, MICRO3, LP MINI, MINI, ATOF, MAXI, MCASE, LP JCASE, JCASE

**High Current Distribution (HCD)** MIDI, BF1, MEGA, CF

**Advanced Power Systems** High-voltage and customized fusing solutions

**Battery Cable Protection (BCP)** CABLE PRO and BF-Inline products for mounting directly inline as part of a high-power cable assembly

**Fuse, Relay and Specialty Modules** Modular system for constructing custom fuse and relay boxes for low volume applications

**Power Distribution FLEC** Customizable pre-tooled junction boxes

**Accessories** For assembly and mounting, shunts, fuse pullers, fuse holders terminals, terminal locks etc.

For more information, please contact your authorized Littelfuse product representative or visit our website at [www.littelfuse.com](http://www.littelfuse.com)