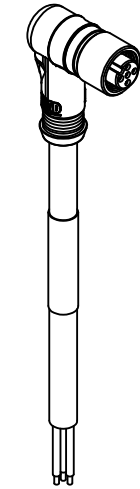
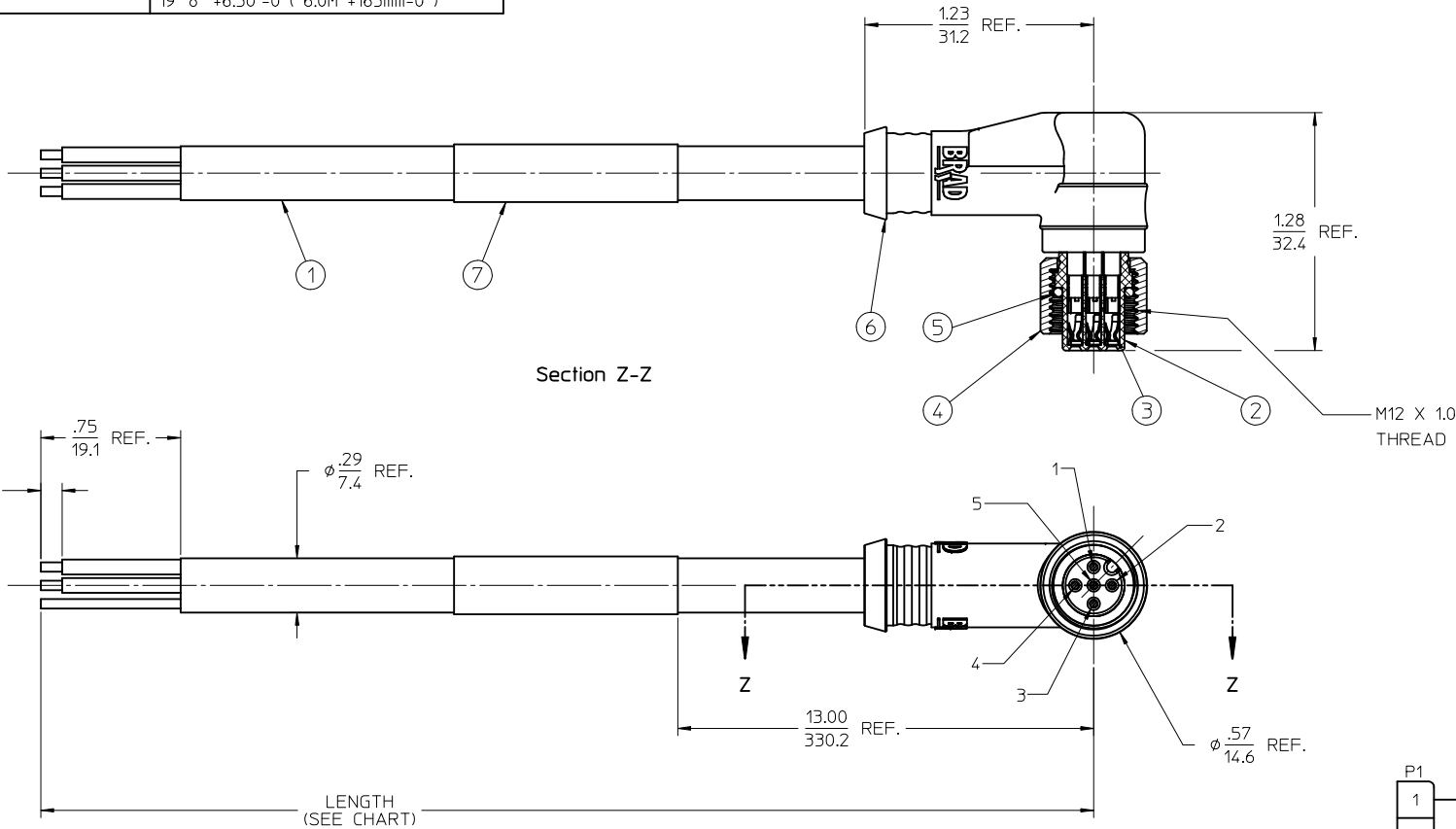
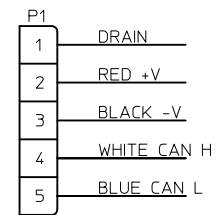


MATERIAL NO.	ENGINEERING NO.	MADE FROM
848547028	84854-7028	1' 8" +1.75"-0 (.5M +45mm-0)
848547029	84854-7029	3' 3" +2.19"-0 (1.0M +56mm-0)
848547030	84854-7030	6' 7" +3.50"-0 (2.0M +89mm-0)
		9' 10" +3.50"-0 (3.0M +89mm-0)
848547031	84854-7031	13' 1" +6.50"-0 (4.0M +165mm-0)
		16' 5" +6.50"-0 (5.0M +165mm-0)
		19' 8" +6.50"-0 (6.0M +165mm-0)



NOTES:

1. MATERIAL: SEE TABLE
2. FINISHES: SEE TABLE
3. PACKAGING: SEALED POLY BAGS WITH BAR-CODE LABEL
4. MATES WITH: MIC 5 POLE DEV-NET RECEPTACLE
5. ELECTRICAL SPECIFICATIONS:
CURRENT RATING: 4.0 AMPS MAX
6. PART IS RoHS COMPLIANT



WIRING DIAGRAM

ITEM	QTY.	DESCRIPTION	MATERIAL	FINISH
7	1	LABEL	PLASTIC FILM	YELLOW/BLACK
6	1	OVERMOLD	PVC	GRAY
5	1	O-RING	VITON	RED
4	1	COUPLING NUT	BRASS	NICKEL PLATED
3	5	CONTACT SOCKET	Cu ALLOY	GOLD PLATED
2	1	INSERT, 5 POLE	NYLON	BLACK
1	1	CABLE, 2 PR. SHIELDED, DEV-NET, THIN	PVC JACKET	GRAY

RELEASED	EC NO: MNA2010-0402	QUALITY SYMBOLS
DRWINRSTONE 2010/01/05	2010/01/07	$\nabla=0$
CHKD:B.WOODMAN	2010/01/07	$\nabla=0$
APPR:J.MURPHY	2010/01/07	
DESCRIPTION		

GENERAL TOLERANCES (UNLESS SPECIFIED)	
mm	INCH
4 PLACES ± .005	± .0005
3 PLACES ± .010	± .0010
2 PLACES ± 0.13	± .01
1 PLACE ± 0.3	± .03
ANGULAR ± 1°	

DRAFT WHERE APPLICABLE
MUST REMAIN
WITHIN DIMENSIONS

DIMENSION STYLE	
IN/MM	
DRAWN BY	DATE
R.STONE	2009/12/29
CHECKED BY	DATE
B.WOODMAN	2010/01/04
APPROVED BY	DATE
J.MURPHY	2010/01/06
MATERIAL NO.	
SEE CHART	
SIZE	
THIS DRAWING CONTAINS INFORMATION THAT IS PROPRIETARY TO MOLEX INCORPORATED AND SHOULD NOT BE USED WITHOUT WRITTEN PERMISSION	

SCALE	DESIGN UNITS	THIRD ANGLE PROJECTION
2:1	INCH	
TITLE		
MIC CABLE ASSEMBLY FEMALE, 5 POLE, 90 DEG DEV-NET DROP		
MOLEX MOLEX INCORPORATED		
DOCUMENT NO.	SD-84854-023	SHEET NO.
		1 OF 1