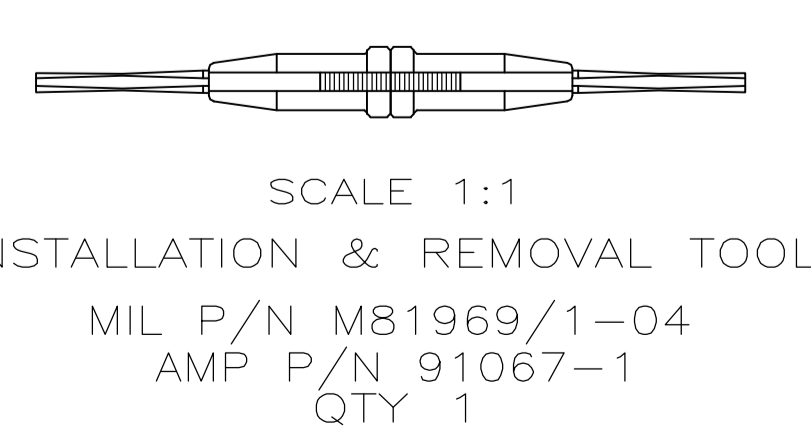
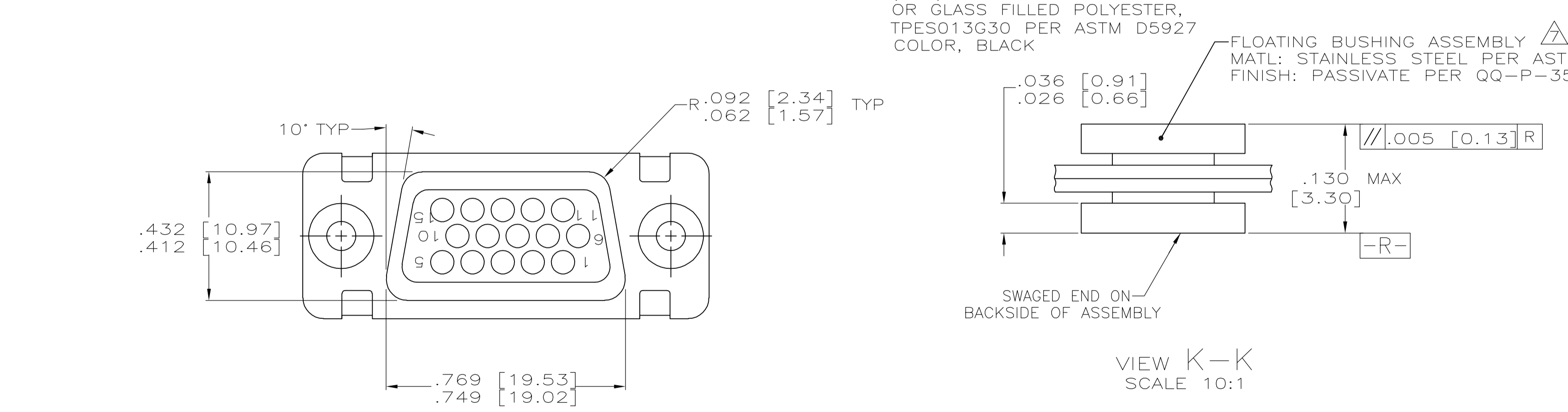
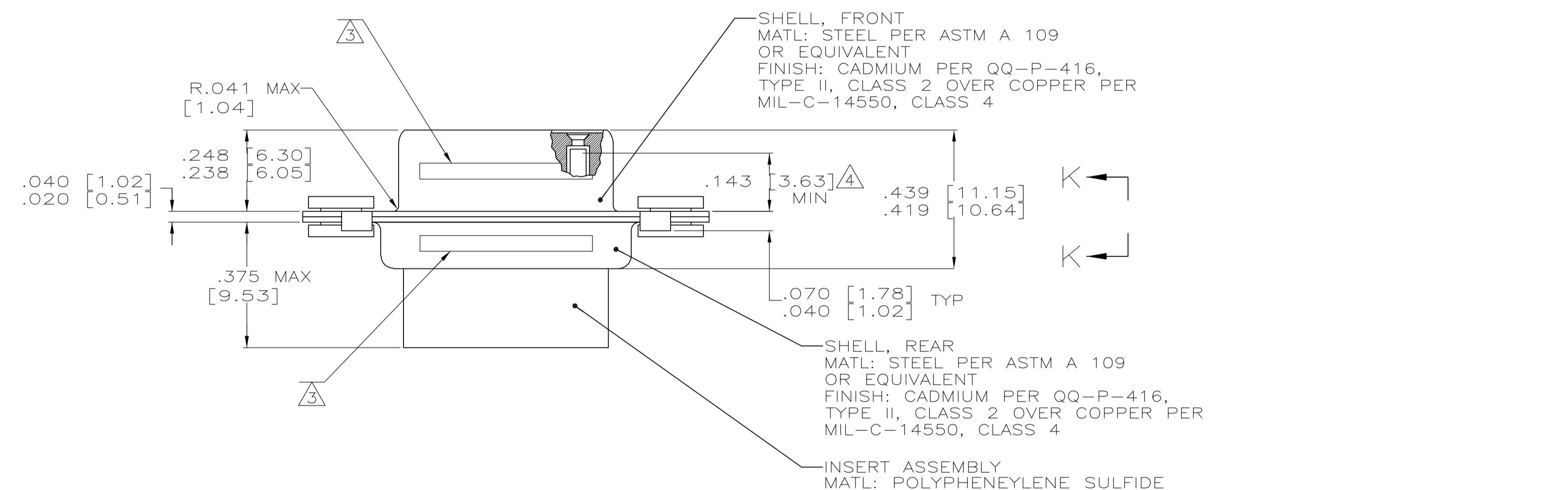
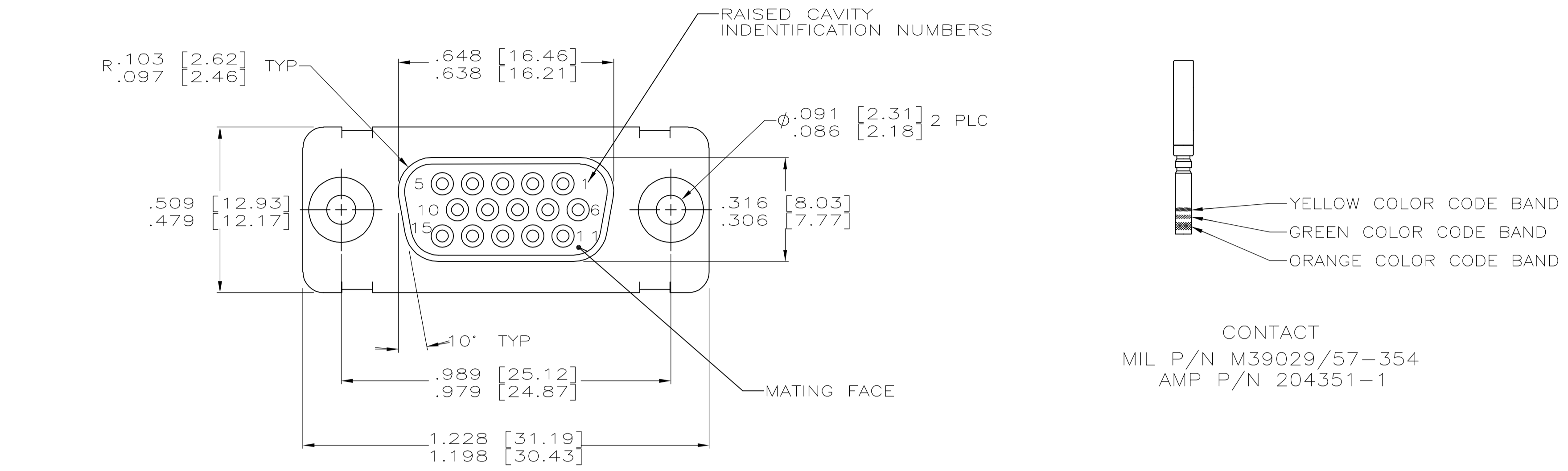


REVISONS		DATE	DWN	APVD
LOC	DIST	DESCRIPTION		
C	REV PER	ECO-06-018048	05OCT06	PY DM



- THIS CONNECTOR ASSEMBLY IS SUPPLIED WITH METAL CONTACT RETENTION CLIPS INSTALLED IN THE INSERT ASSEMBLY.
  - THE CONNECTORS DESCRIBED IN THIS DOCUMENT MEET THE REQUIREMENTS OF MIL-C-24308 AND MATE WITH ANY PLUG CONNECTOR WITH THE SAME INSERT ARRANGEMENT.
  - THE PART NUMBER MARKED ON THE CONNECTOR DIFFERS FROM THE PART NUMBER ORDERED DUE TO THE MARKING REQUIREMENTS OF MIL-C-24308/2 (PART NUMBER MARKED ON CONNECTOR REPRESENTS CONNECTOR ASSEMBLY WITH CONTACTS). MARK WITH .047 [1.19]-.062 [1.57] HIGH CHARACTERS. FAR SIDE REFERS TO THE WIDE SIDE OF THE KEYSTONE. NEAR SIDE REFERS TO THE NARROW SIDE OF THE KEYSTONE. MARKING SHALL BE LOCATED AS FOLLOWS:
    - "M24308" ON FRONT SHELL, FAR SIDE.
    - SLASH SHEET AND DASH NUMBER ON REAR SHELL, FAR SIDE.
    - "AMP" AND DATE CODE ON FRONT SHELL, NEAR SIDE.
    - AMP PART NUMBER ON REAR SHELL, NEAR SIDE.
- IF THE FRONT SHELL IS TOO SMALL FOR "AMP", AMP PART NUMBER AND DATE CODE, THEN SPLIT AS FOLLOWS:
- AMP PART NUMBER ON REAR SHELL, NEAR SIDE.
  - "AMP" AND DATE CODE ON FRONT SHELL, NEAR SIDE.
  - MILITARY PART NUMBER ON REAR SHELL, FAR SIDE.
- POINT OF ELECTRICAL ENGAGEMENT - AS MEASURED WITH A .0295 [0.749] - .0305 [0.775] DIAMETER SQUARE ENDED TEST PIN. CONTACT SHOWN INSTALLED FOR DIMENSIONAL REFERENCE ONLY.
  - MAXIMUM WIRE INSULATION TO BE USED WITH THIS CONNECTOR ASSEMBLY IS .054 [1.37] DIAMETER.
  - FOR CONTACT CRIMPING INSTRUCTION SHEET REFER TO AMP IS 7516. FOR CONTACT INSTALLATION AND REMOVAL INSTRUCTION SHEET REFER TO AMP IS 7508.
  - FLOAT SPECIFICATIONS ARE .004 [0.10]-.012 [0.30] VERTICALLY AND .026 [0.66]-.036 [0.91] HORIZONTALLY.
  - PART NUMBER FOR ORDERING.
  - DIMENSIONS AND TOLERANCES PER ANSI Y14.5M-1982.
  - THIS DRAWING SHALL BE INTERPRETED IN ACCORDANCE WITH APPLICABLE STANDARDS LISTED IN MIL-STD-100.

MS18273-2	15	1	M24308/2-358F	M24308/2-347F	593022-1	593024-1
INSERT ARRANGEMENT	NO OF POS	SHELL SIZE	PACKAGE MILITARY P/N	MILITARY P/N ON CONNECTOR	AMP P/N ON CONNECTOR	PART NUMBER
THIS DRAWING IS A CONTROLLED DOCUMENT.				DWN: AJ GRAFF 10-9-92 CHK: B GILLMAN 10-13-92 APVD: F KINSEY 10-13-92 NAME: Tyco Electronics Corporation Harrisburg, PA 17105-3608 PRODUCT SPEC: AMPLITE RECEPTACLE ASSY WITH SIZE 22 CRIMP TYPE SOCKET CONTACTS, SERIES 90 FLOATING BUSHINGS, SHELL SIZE 1 APPLICATION SPEC: --- SIZE: A1 CAGE CODE: 00779 DRAWING NO: 593024 RESTRICTED TO: --- WEIGHT: --- CUSTOMER DRAWING: ---		
DIMENSIONS: INCHES		TOLERANCES UNLESS OTHERWISE SPECIFIED:		SCALE: 4:1		
0 PLC ± - 1 PLC ± - 2 PLC ± - 3 PLC ± .005(0.13) 4 PLC ± ± - ANGLES ± ± -		FINISH: SEE CALLOUTS		SHEET 1 OF 1 REV C		