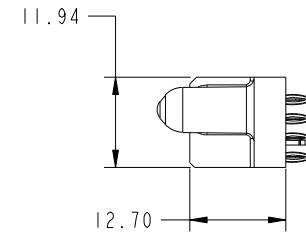
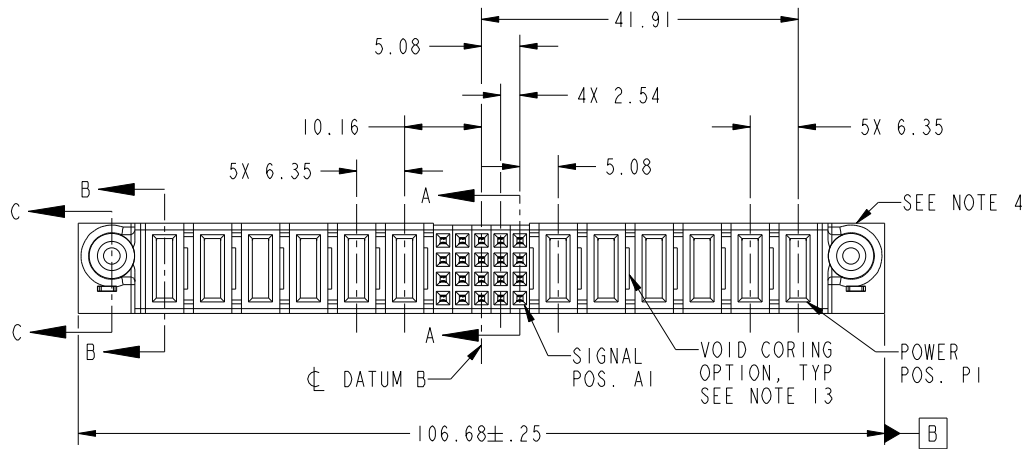


Tous droits strictement réservés. Reproduction ou communication a des tiers interdite sous quelque forme que ce soit sans autorisation écrite du propriétaire. Propriété de c.FCI. Droits de reproduction FCI.

All rights strictly reserved. Reproduction or issue to third parties in any form whatever is not permitted without written authority from the proprietor. Property of FCI. Copyright FCI.



PRODUCT NO.	ROWS	POWER						SIGNAL				POWER									
		E2	P12	P11	P10	P9	P8	P7	5	4	3	2	1	P6	P5	P4	P3	P2	P1	E1	
51940-166-- NOTE: ③	D C B A		PF	PF	PF	PC	PC	PC	F	F	F	F	F	F	PC	PC	PC	PF	PF	PF	



CODE	DIM "M" MATING LENGTH	CONTACT TYPE
PF	[2.34]	POWER
F	[N/A]	SIGNAL
HA	[N/A]	HOLD-DOWN
PC	[1.07]	POWER

mat'l code				SEE NOTE		tolerances unless otherwise specified		CUSTOMER	
lir	ecn no.	dr	date	linear	0.X ± 0.5	COPY		www.fciconnect.com title 6P + 20S + 6P VERTICAL PF RECEPT	
A	DG05-0331	GuoJM	09/14/05	angles	0.XX ± 0.25	projection			
B	DG07-0498	JW	9/15/08		0.XXX ± 0.10			product family PwrBlade code 213 size dwg no 51940-166 sheet 1 of 4	
				dr	JM Guo 09/14/05	MM scale 1:1			
				engr	SLUO 09/14/05				
				chr	VICTOR LIN 09/14/05				
				appd	JOSEPH HSIA 09/14/05				
sheet index	revision sheet	B 1	B 2	B 3	B 4				

product family		PwrBlade		code	
size		dwg no		213	
A		51940-166		sheet 1 of 4	

A

A

B

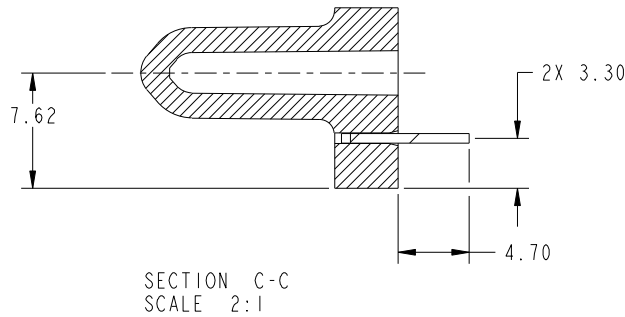
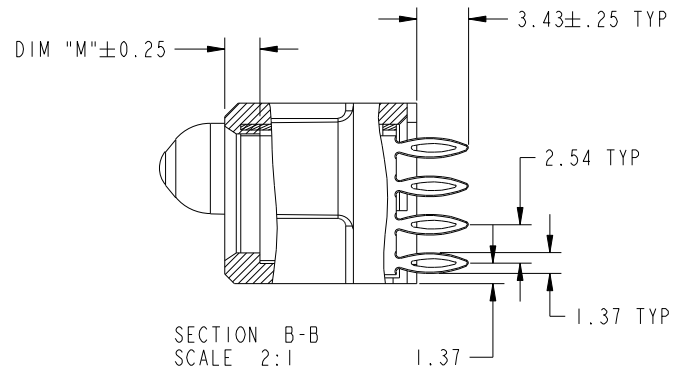
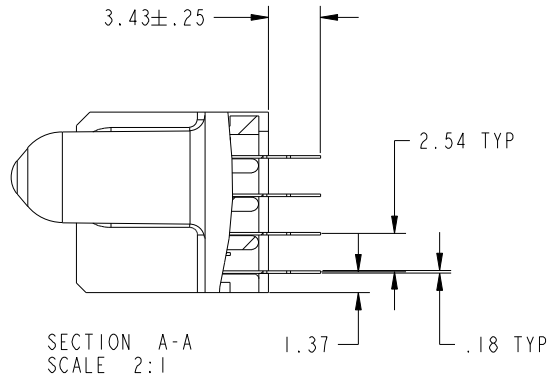
B

Tous droits strictement reserves. Reproduction ou communication a des tiers interdite sous quelque forme que ce soit sans autorisation ecrite du proprietaire. Propriete de c FCI. Droits de reproduction FCI.



All rights strictly reserved. Reproduction or issue to third parties in any form whatever is not permitted without written authority from the proprietor. Property of FCI. Copyright FCI.

PRODUCT NUMBER
51940-166--
NOTE: 3



mat'l code		SEE NOTE		tolerances unless otherwise specified		CUSTOMER		www.fciconnect.com	
lfr	ecn no.	dr	date	linear	0.X ± 0.5	COPY		title	
B					0.XX ± 0.25	projection		6P + 20S + 6P VERTICAL PF RECEP	
				angles	0.XXX ± 0.10			product family	
				dr	0° ± 2°			PwrBlade	
				enr	JM Guo 09/14/05	MM		size	code
				chr	SLUO 09/14/05	1:1		dwg no	213
				appd	VICTOR LIN 09/14/05			A	51940-166
					JOSEPH HSIA 09/14/05			sheet	2
sheet index	revision sheet								

A

A

B

B

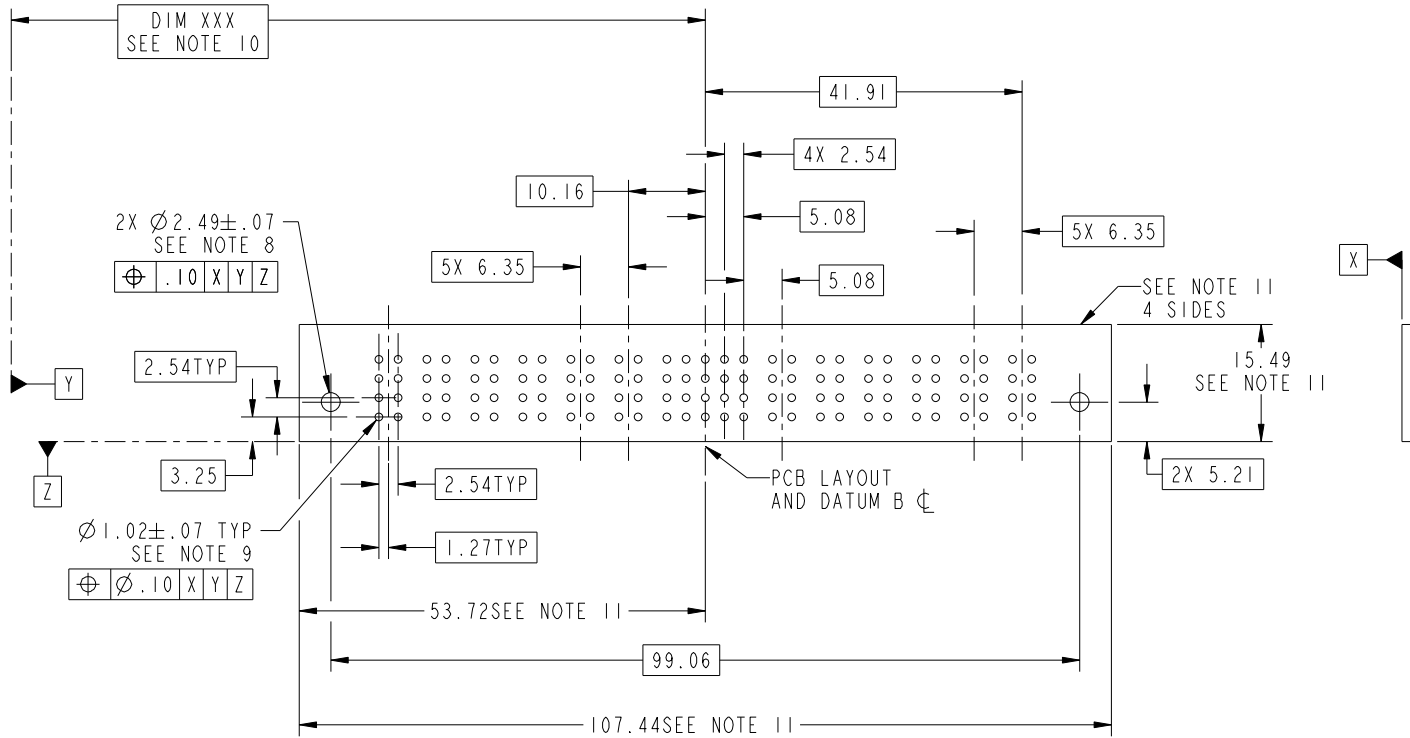
Tous droits strictement reserves. Reproduction ou communication a des tiers interdite sous quelque forme que ce soit sans autorisation ecrite du proprietaire. Propriete de c.FCI. Droits de reproduction FCI.



All rights strictly reserved. Reproduction or issue to third parties in any form whatever is not permitted without written authority from the proprietor. Property of FCI. Copyright FCI.

PRODUCT NUMBER

51940-166--
NOTE: 3



mat'l code		SEE NOTE		tolerances unless otherwise specified		CUSTOMER		www.fciconnect.com	
lir	ecn no.	dr	date	linear	0.X ± 0.5	COPY		title	
B					0.XX ± 0.25	projection		6P + 20S + 6P VERTICAL PF RECEP	
				angles	0.XXX ± 0.10			product family PwrBlade code 213	
				dr	JM Gvo 09/14/05	MM		size dwg no 51940-166 sheet 3	
				enrg	SLUO 09/14/05			A	
				chr	VICTOR LIN 09/14/05	scale 1:1			
				appd	JOSEPH HSIA 09/14/05				
sheet index	revision sheet								

cage code 2856

Pro/E

PDM: Rev: B

STATUS: Released

Printed: Dec 20, 2010

Tous droits strictement réservés. Reproduction ou communication a des tiers interdite sous quelque forme que ce soit sans autorisation écrite du propriétaire. Propriété de c.FCI. Droits de reproduction FCI.

All rights strictly reserved. Reproduction or issue to third parties in any form whatever is not permitted without written authority from the proprietor. Property of FCI. Copyright FCI.



1 | 2

3

4

PRODUCT NUMBER

51940-166--
NOTE: 3

NOTES:

1. DIMENSIONS AND TOLERANCES ARE IN ACCORDANCE WITH ASME Y14.5M, 1994 UNLESS OTHERWISE SPECIFIED.

CONNECTOR NOTES:

② HOUSING MATERIAL: UL 94 V-0 GLASS FILLED
HIGH-TEMP THERMOPLASTIC
POWER CONTACT MATERIAL: COPPER ALLOY
SIGNAL PIN MATERIAL: COPPER ALLOY

△B 3. PLATING:
SEE ITEM 7 & 8 IN PRINT 10064183 FOR PLATING SPEC OF 51940-166; 51940-166LF PRESPECTIVELY.

④ MANUFACTURER'S NAME, P/N, AND DATE CODE TO APPEAR ON THIS SURFACE.

5. PRODUCT SPECIFICATION GS-12-149.
APPLICATION SPECIFICATION BUS-20-067.

6. PACKAGED IN TRAYS.

PCB NOTES:

7. ALL HOLE DIAMETERS ARE FINISHED HOLE SIZE.

⑧ MOUNTING HOLES, WHERE APPLICABLE, ARE UNPLATED

⑨ $\varnothing 1.151 \pm 0.025$ DRILLED HOLES PLATED WITH 0.008 MIN SnPb OR Sn OVER 0.03 TO 0.08 Cu PLATING TO ACHIEVE $\varnothing 1.02 \pm .07$ HOLE.

⑩ "DIM XXX" TO BE DETERMINED BY THE CUSTOMER.

⑪ CONNECTOR KEEP-OUT ZONE.

12 △B SYMBOL WILL BE NEXT TO ANY DIMENSION, VIEW, OR NOTE WHICH HAS BEEN MODIFIED WITH THE CURRENT DRAWING REVISION.

13. THE VOID CORING IN BETWEEN POWER MODULES, SIGNAL MODULES AND END MODULES ARE OPTIONAL AND THE SHAPE MAY BE DIFFERENT FOR OPTIMIZING THE MOLDING PROCESS. THE VOID CORING WILL NOT EFFECT TO PRODUCT FUNCTION.

mat'l code				SEE NOTE		tolerances unless otherwise specified		CUSTOMER		www.fciconnect.com	
lir	ecn no.	dr	date	linear	0.X ±0.5		COPY			title	
B					0.XX ±0.25		projection			6P + 20S + 6P	
					0.XXX ±0.10					VERTICAL PF RECEIPT	
				angles	0° ±2°				product family		
				dr	JM Gvo	09/14/05	MM		PwrBlade		
				engr	SLU0	09/14/05			code	213	
				chr	VICTOR LIN	09/14/05	scale		size	dwg no	
				appd	JOSEPH HSIA	09/14/05	1:1		A	51940-166	
sheet index	revision sheet									sheet	
										4	

A

A

B

B

1 | 2

Pro/E

PDM: Rev:B

STATUS: Released

Printed: Dec 20, 2010

cage code 22516