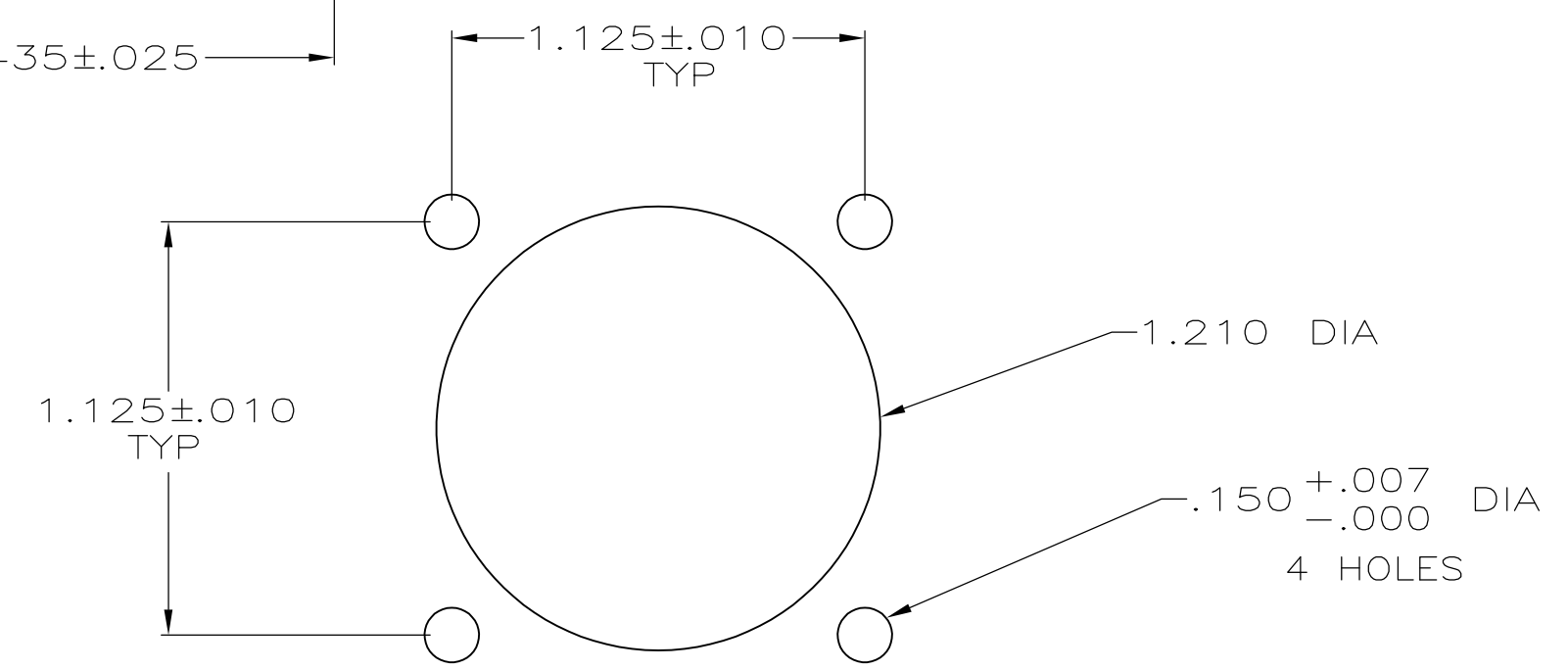
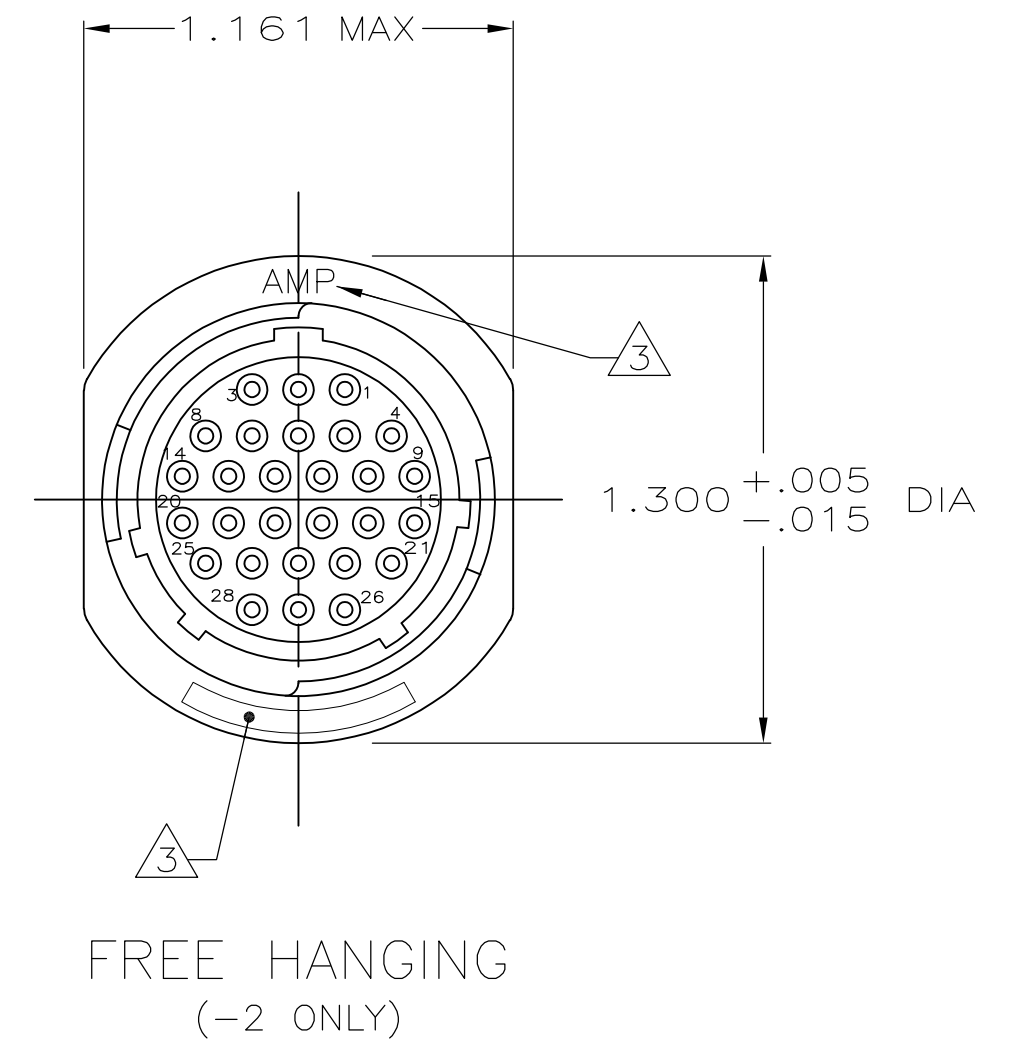
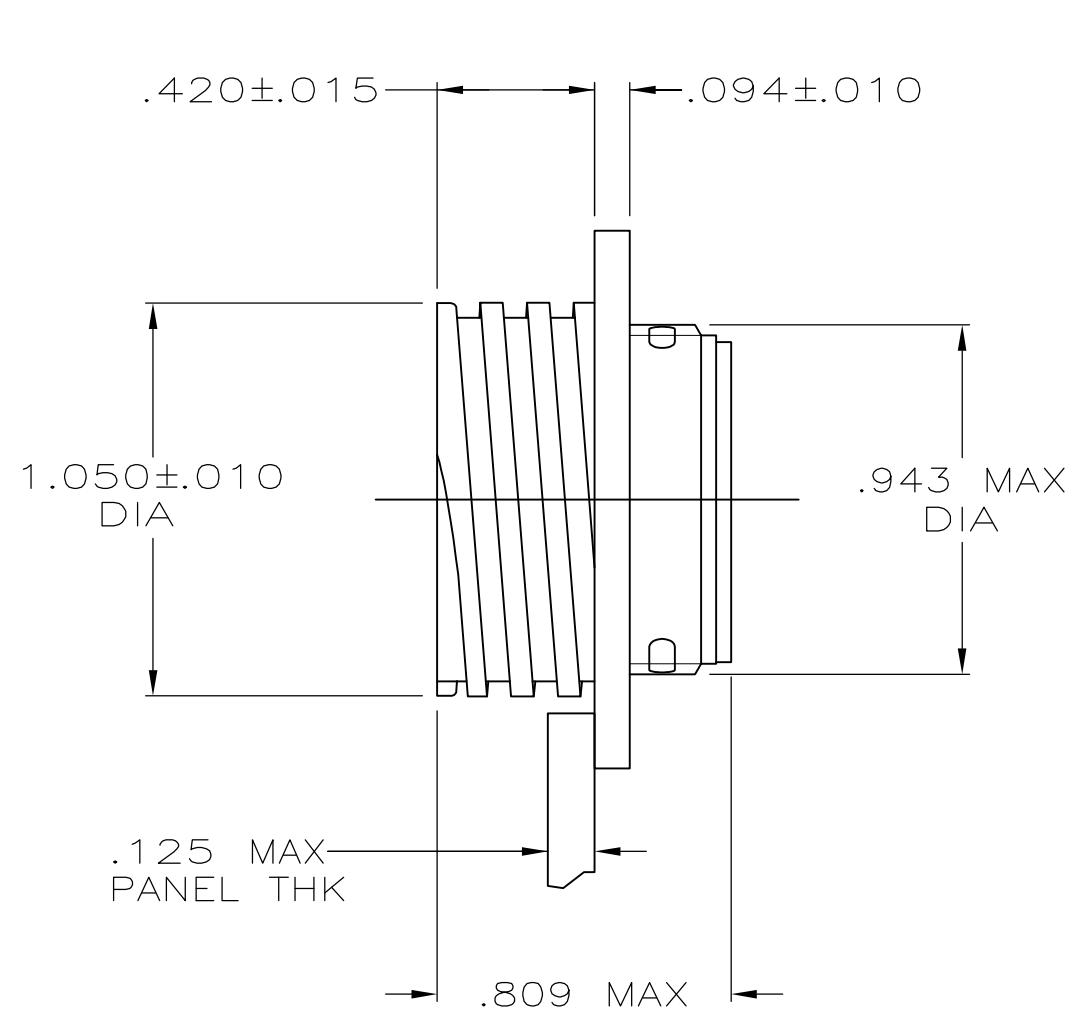
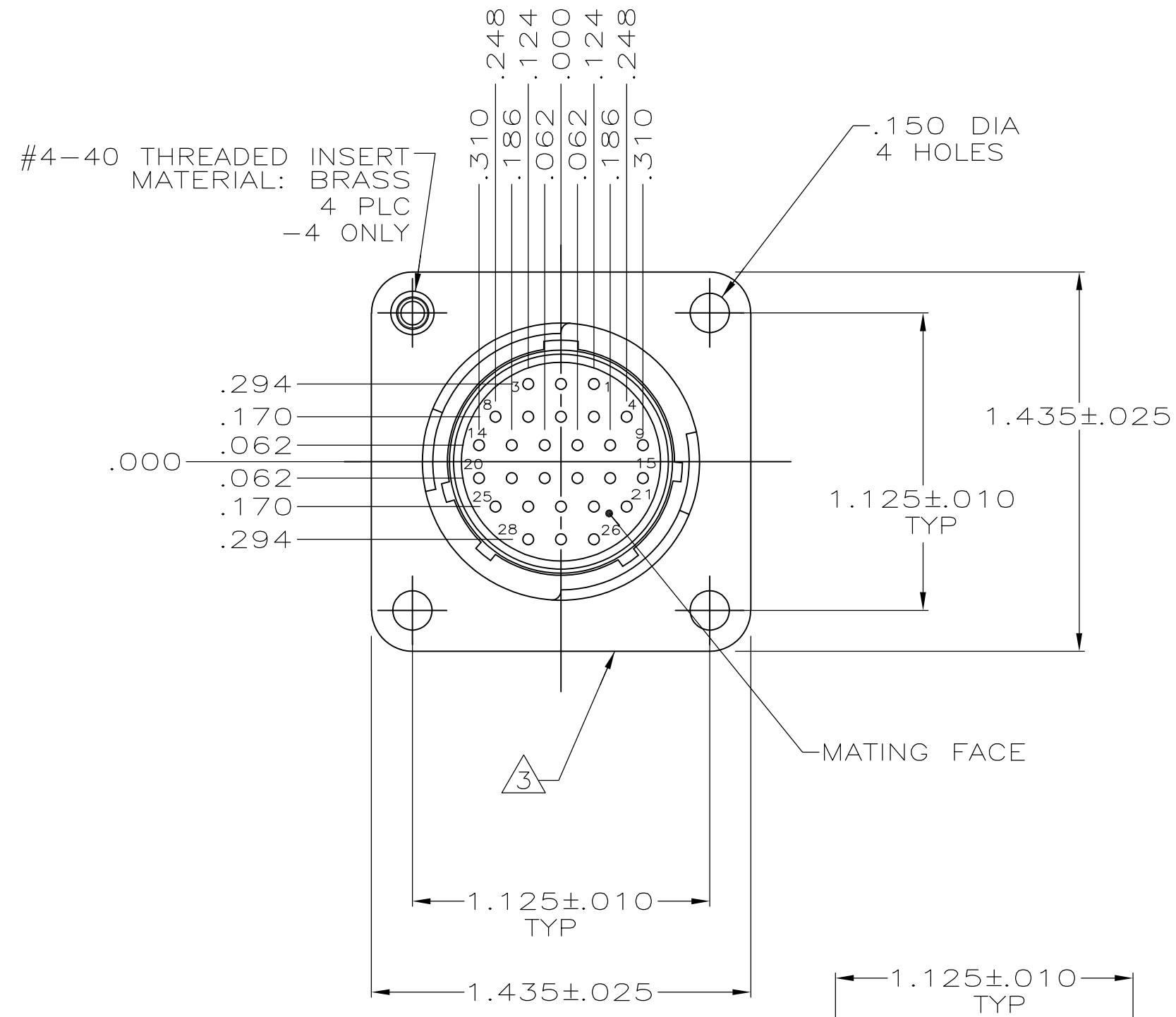


THIS DRAWING IS UNPUBLISHED. RELEASED FOR PUBLICATION
 © COPYRIGHT - By - ALL RIGHTS RESERVED.

LOC	DIST	REVISIONS			
P	LTR	DESCRIPTION	DATE	DWN	APVD
BD	35	H1	REVISED PER ECO-11-004820	11MAR11	RK HMR



PANEL CUTOUT

- CONTACT CAVITIES IDENTIFIED BY CHARACTERS ON FRONT AND REAR FACES OF CONNECTOR.
 - WILL ACCEPT (28) SIZE 20 SOCKET CONTACTS.
- AMP AND PART NUMBER THIS AREA.

206038-4
206038-2
206038-1
PART NUMBER

THIS DRAWING IS A CONTROLLED DOCUMENT.		DWN	A.STAUB BG	4/5/91		TE Connectivity		
DIMENSIONS: INCHES		CHK	W.G.LENKER	7-24-92		NAME		
TOLERANCES UNLESS OTHERWISE SPECIFIED:		APVD	K.BEAVER	7-24-92		PRODUCT SPEC		
0 PLC ± - 1 PLC ± - 2 PLC ± - 3 PLC ± .005 4 PLC ± - ANGLES ± - FINISH -		108-10024 APPLICATION SPEC WEIGHT - CUSTOMER DRAWING		RECEPTACLE ASSEMBLY, REV SEX, SERIES 2, 17-28, CPC				
MATERIAL: THERMOPLASTIC, BLACK		SIZE	A2	CAGE CODE	00779	DRAWING NO	C=206038	
		SCALE	2:1		SHEET	1 OF 1		
		REV	H1		RESTRICTED TO			