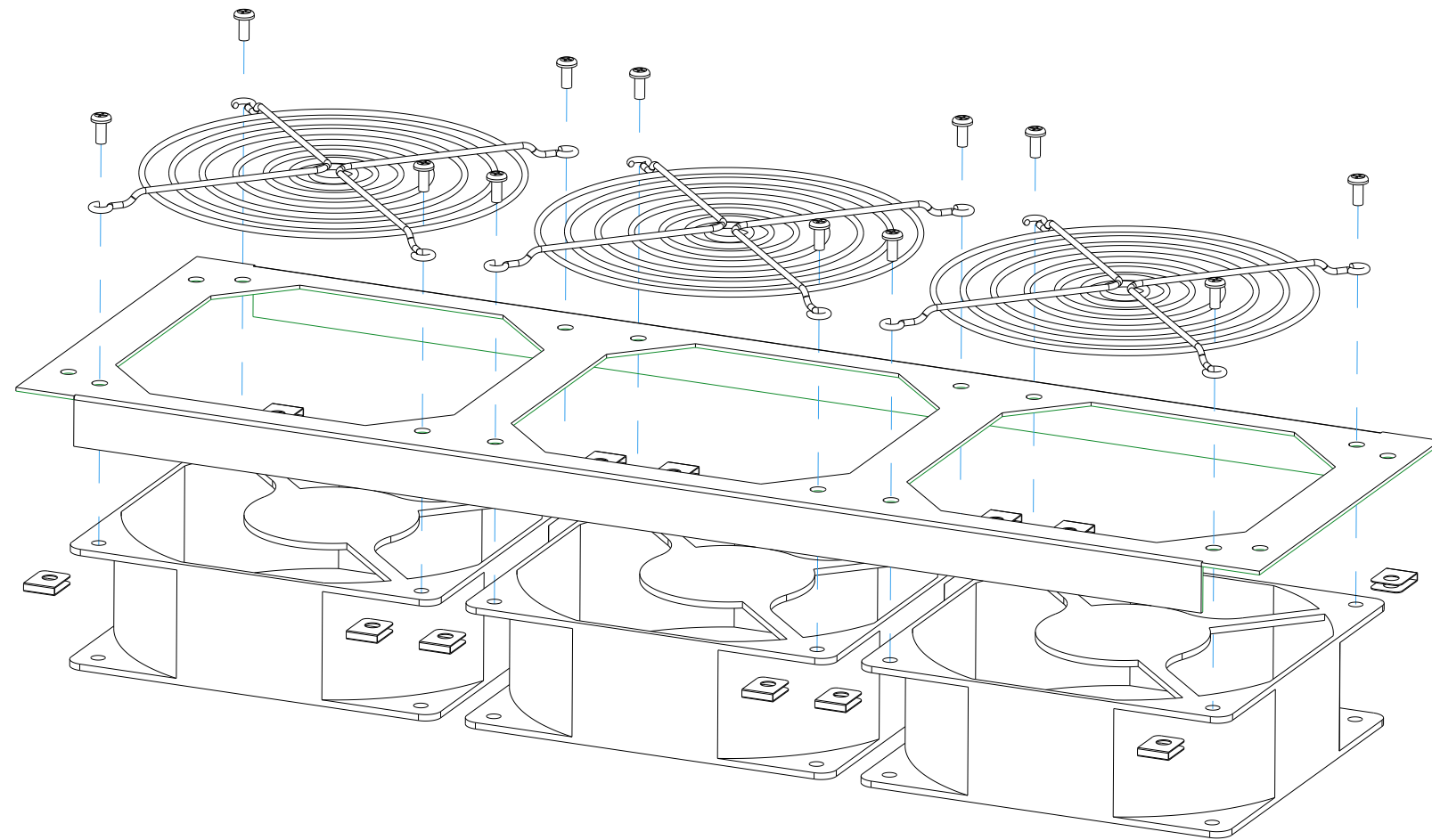


Unit : mm

No. of Fans	3
Bearing System	Dual Ball Bearing
Nominal Voltage (60Hz)	115 VAC
Input Power	45 Watts
Rated Speed (RPM)	3000
Airflow (CFM)	310
Noise Level (dB)	53
Life Expectancy	60,000 hrs (25C)

**DO NOT SCALE DRAWING**

All Components and Processes to be RoHS Compliant		THIRD ANGLE PROJECTION			
DRAFTSMAN: Y. Ducky	DATE: 2-25-2016	 10557 Metric Drive Dallas, Texas 75243 1-800-323-2439	<b>Fan Module OA300A</b>		
DESIGNER:	DATE:				
CHECKER:	DATE:				
ENGINEER:	DATE:				
APPROVED:	DATE:				
RELEASED:	DATE:	scale 1:2	size C	OA300A	Sheet 1/2



SCALE 1:2

DO NOT SCALE DRAWING			
All Components and Processes to be RoHS Compliant		THIRD ANGLE PROJECTION	
DRAFTSMAN: Y. Ducky	DATE 2-25-2016	 10557 Metric Drive Dallas, Texas 75243 1-800-323-2439  <b>Fan Module OA300A</b>	
DESIGNER:	DATE:		
CHECKER:	DATE:		
ENGINEER:	DATE:		
APPROVED:	DATE:		
RELEASED:	DATE:	scale	size C
		OA300A	Sheet 2/2