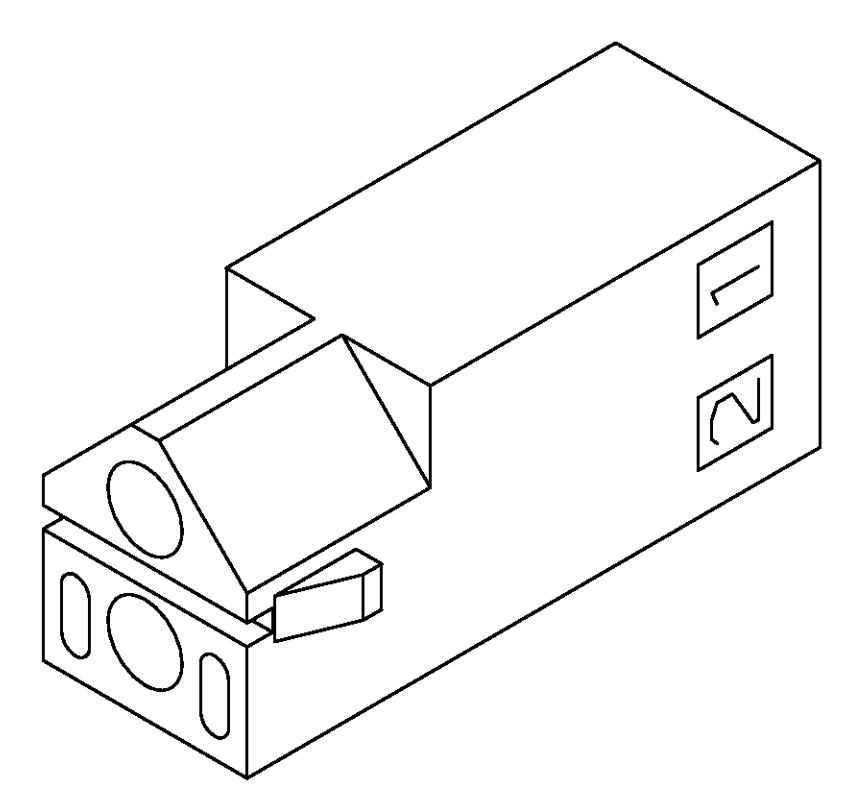
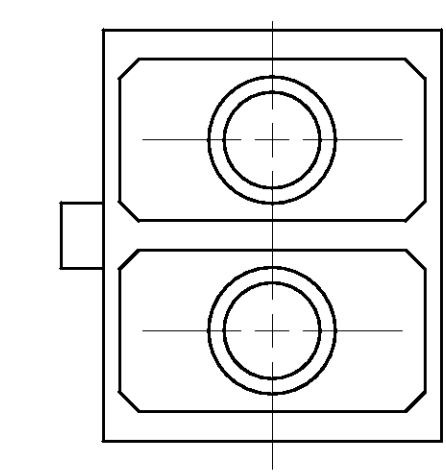
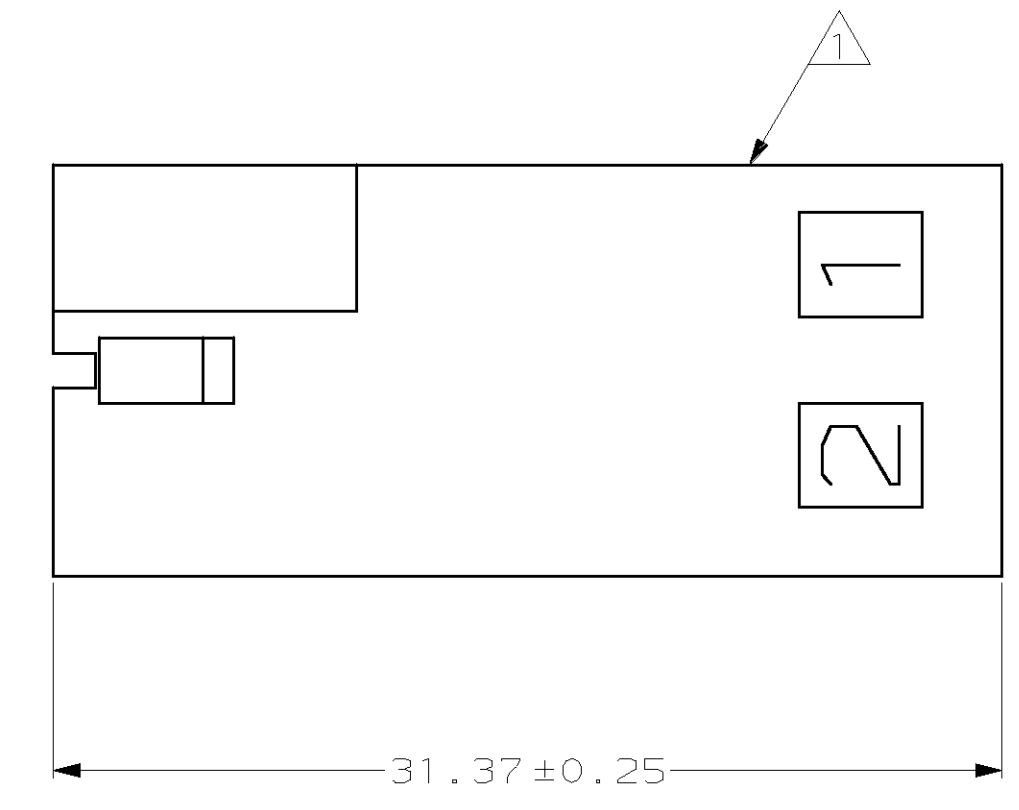
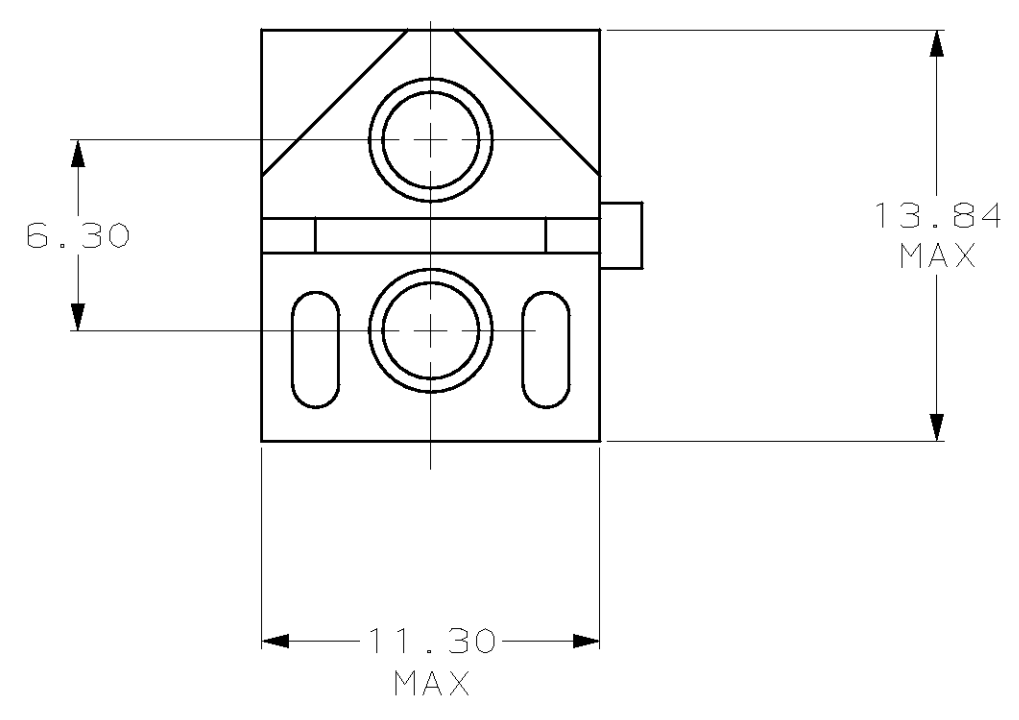


LOC	QTY	REV	DATE	BY	APPV
CM	53	F	2-25-98	KW	RS

△ AMP LOGO AND CAVITY NO. LOCATED ON THIS SURFACE.
 2. PARTS ARE DUAL WIRE COMPATIBLE.



3-DIMENSIONAL MODEL
 NTS

MM	IN
31.37	1.235
13.84	.545
11.30	.445
6.30	.248
2.36	.093
0.25	.010
0.13	.005
MM	IN

CONVERSION TABLE

770364-1
 PART NUMBER

METRIC

THIS DRAWING IS A CONTROLLED DOCUMENT.		DWN K. WHITAKER	2-25-98	AMP AMP Incorporated Harrisburg, PA 17105-3608
DIMENSIONS: mm		CHK R. SWING	2-25-98	
TOLERANCES UNLESS OTHERWISE SPECIFIED: Ø PLC ± PLC ± 2 PLC ±0.13 3 PLC ± 4 PLC ±		APVD K. CORLE	2-25-98	NAME RECEPTACLE, 2 CIRCUIT, .093 PIN AND SOCKET
MATERIAL NYLON, JL 94V-2, NATURAL		FINISH -	HEIGHT -	SIZE SCALE CODE DRAWING NO A1 00779 C 770364
CUSTOMER DRAWING		SCALE 4:1		SHEET 1 OF 1 REV F