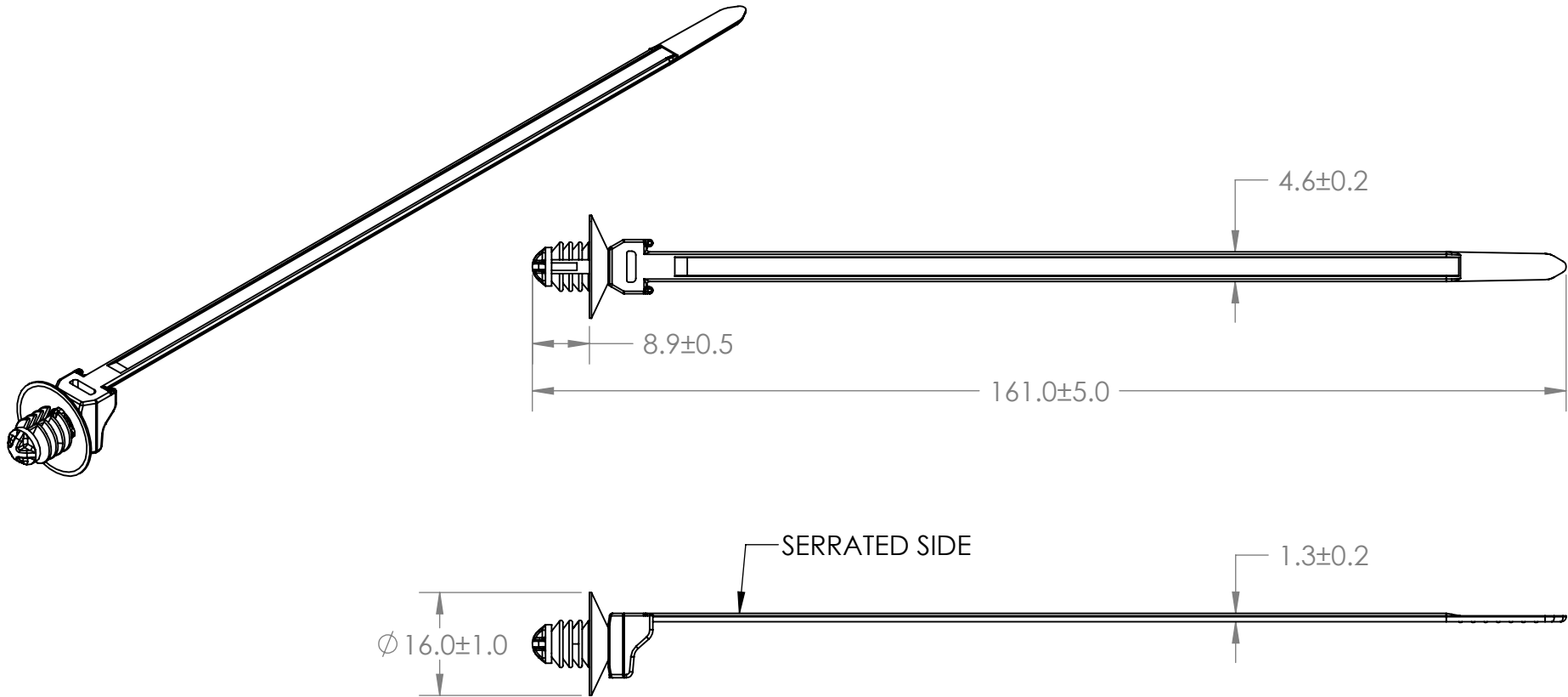


SW2010



Revision level		Revision Record	Changed	Date	Approved	Date
Drawing	Part					
00	-	SEE ECN# 011676	AAC	05/24/2011	AAC	05/24/2011



Material  
PA66HS

1.0 to 35	180	6.3 to 7.0	.6 to 4.2
Bundle $\phi$ Range	Min Loop Tensile Strength (N)	Mounting Hole Size	Panel Thickness Range

Units millimeters  
Dimension without tolerances details to:  
.xxxx = ±.0025  
.xxx = ±.013  
.xx = ±.13  
.x = ±.3  
None = ±.8  
∠ = ±0.5°

The copyright of this drawing is reserved by HellermannTyton. It is issued on condition that it is not reproduced, copied, or disclosed to a third party, either wholly or in part, without the consent of HellermannTyton.

Drawn AAC 11/05/2010  
Approved AAC 05/24/2011

**HellermannTyton**  
North America  
Email: corp@htamericas.com  
Web: www.hellermann.tyton.com

Article/Type-No T50SOSFT6E2  
Title T50SOSFT6E2 T50S OUTSIDE SERRATED WITH FIR TREE  
Drawing-No CT10-0745-001CST  
Production : Phase

Scale 1:1  
Project Number PRP10-0745  
Format AH  
Sheet 1/1

**Product Number**  
**Cross Reference Record**

Uncontrolled Document

<b>Pre-UNS Number System</b>	<b>(New) UNS Universal Number System</b>	<b>Customer Part Number</b>
Product Number  <b>T50SOSFT6E2</b>	Product Number  <b>157-00108</b>	Product Number  <b>-</b>
Reference Drawing Number: <b>CT10-0745-001CST</b>		

Issued By:	(New) UNS Product Number	Issue Date:
<b>HellermannTyton</b>	<b>Universal Numbering System</b>	<b>June 7, 2011</b>