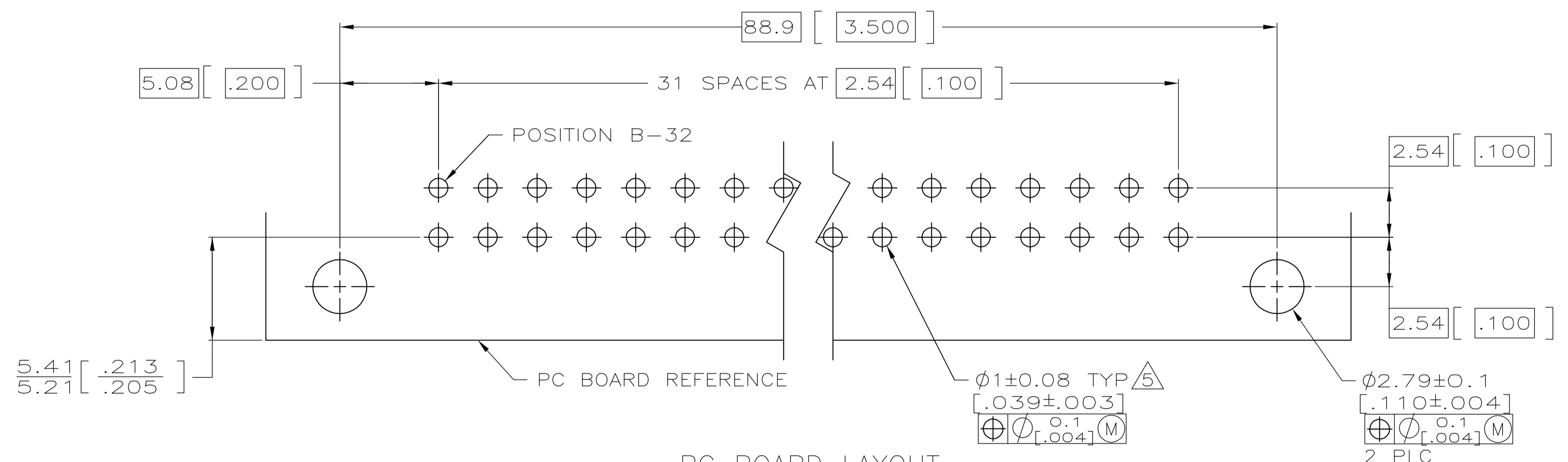
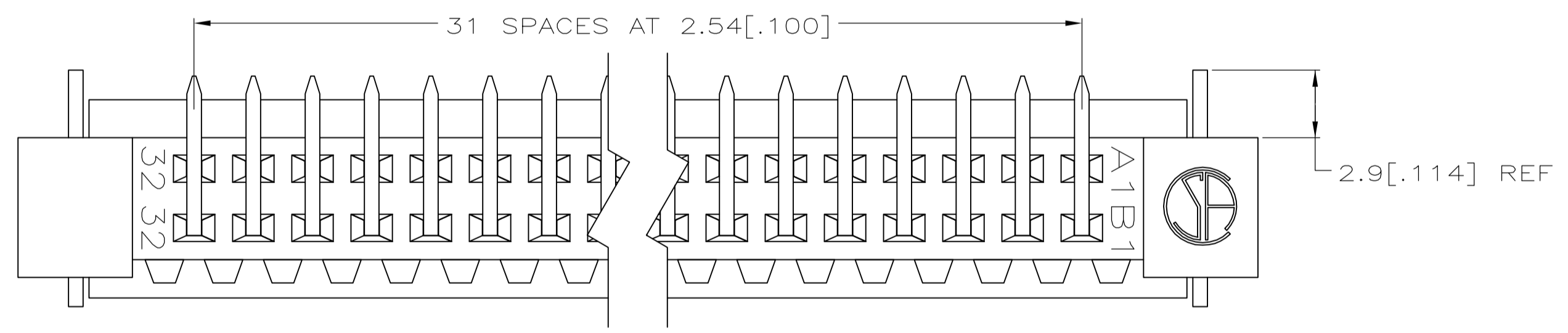
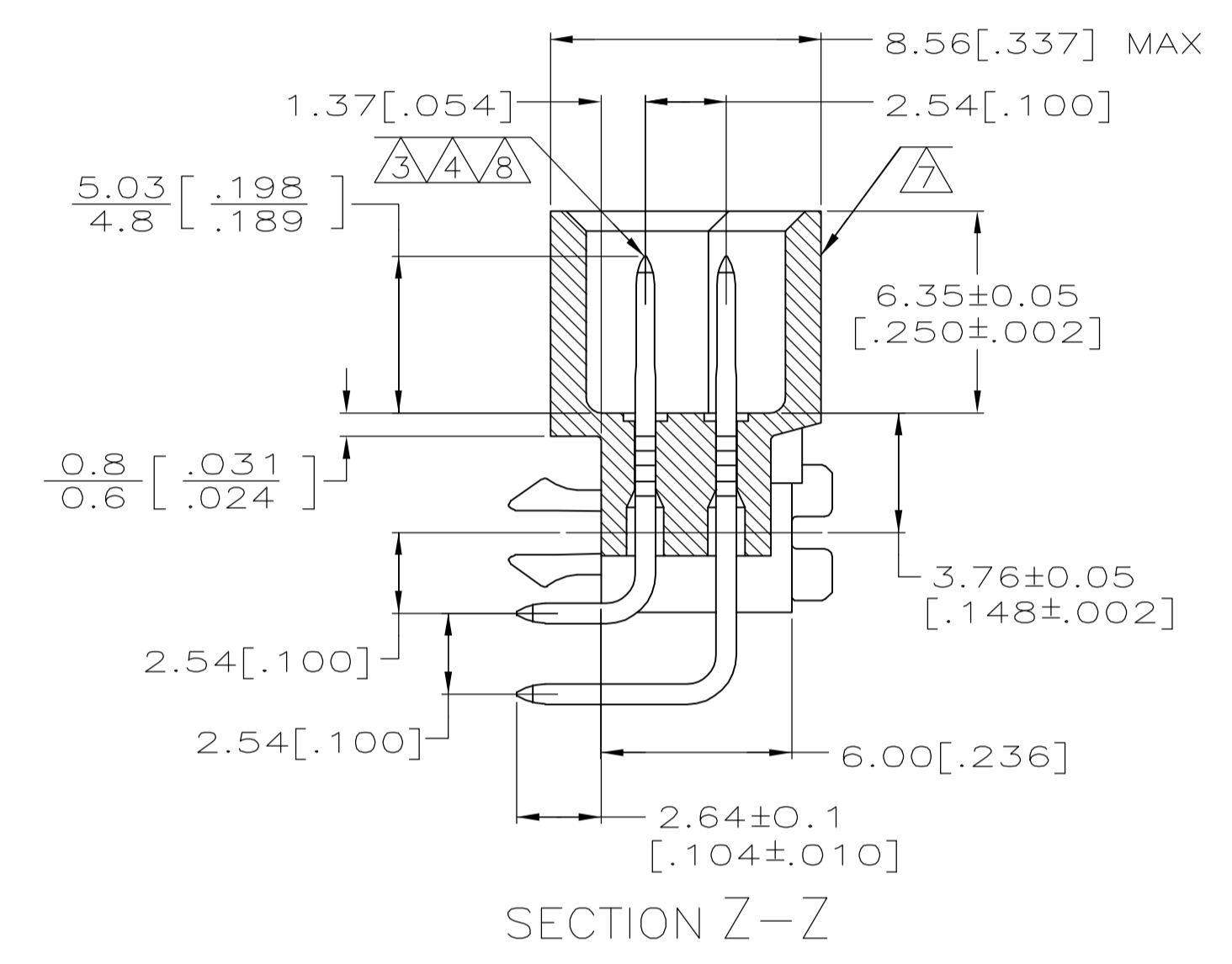
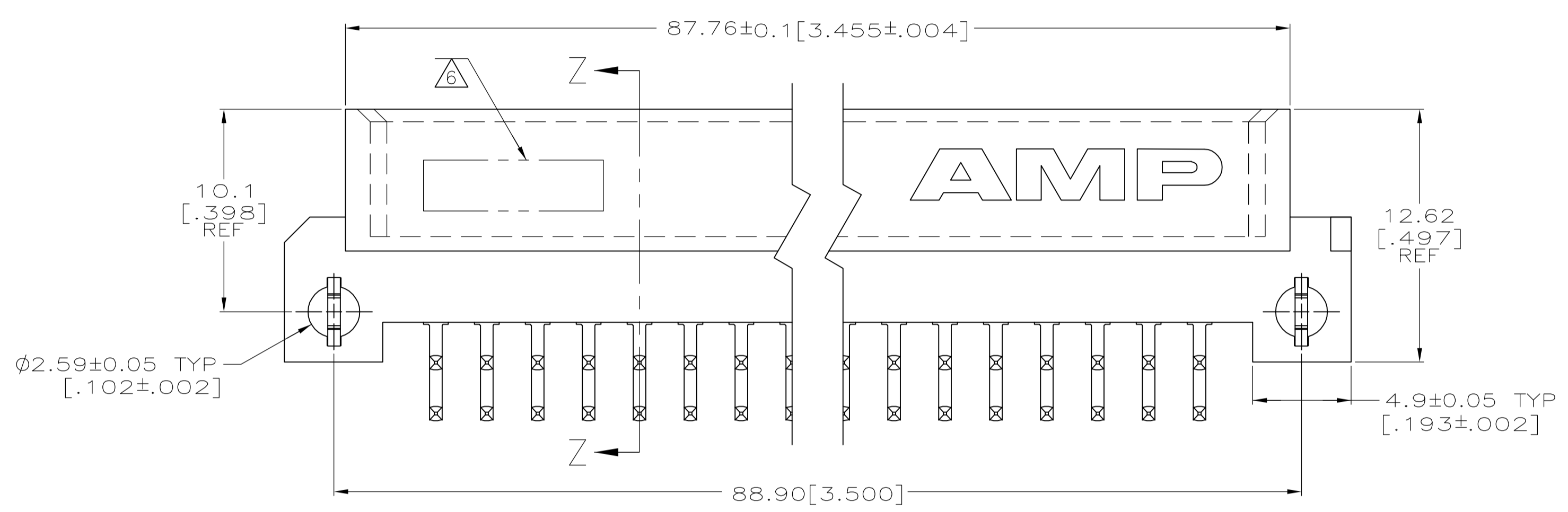
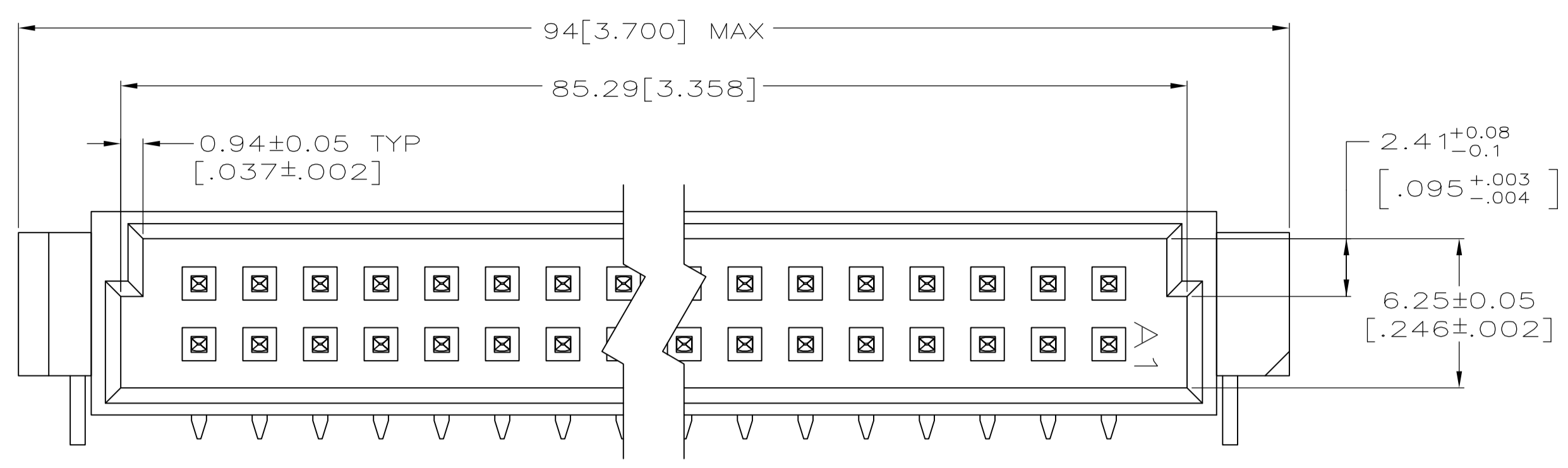


- 1 HOUSING MATERIAL: GLASS-FILLED POLYESTER. COLOR: GRAY.
- 2 POST MATERIAL: BRASS.
- 3 POST FINISH: DIN 41612 CLASS 3 IN CONTACT AREA. TIN-LEAD PLATE ON POSTS.
- 4 POST FINISH: DIN 41612 CLASS 2 IN CONTACT AREA. TIN-LEAD PLATE ON POSTS.
- 5 RECOMMENDED HOLE SIZE FOR MANUAL APPLICATION OF CONNECTOR ONTO PC BOARD.
- 6 PART NUMBER, DATE CODE MARKED THIS APPROXIMATE AREA.
- 7 MARKINGS ON THIS SIDE.
- 8 POST FINISH: DIN 41612 CLASS 2 IN CONTACT AREA. TIN PLATE ON POSTS.



PC BOARD LAYOUT
 RECOMMENDED PC BOARD THICKNESS 1.57[.062]

OBSELETE	8	1-32	X	X	64	7-536385-5
OBSELETE	3	1-32	X	X	64	536385-9
	4	1-32	X	X	64	536385-5
NOTES	POSITIONS LOADED	ROWS LOADED	NO. OF LOADED POSITION	ASSY PART NUMBER		

THIS DRAWING IS A CONTROLLED DOCUMENT.

DIMENSIONS: mm [INCHES]	TOLERANCES UNLESS OTHERWISE SPECIFIED:	DIN L BRINER 8/17/92	tyco Electronics	Tyco Electronics Corporation Harrisburg, PA 17105-3608
0 PLC ± -	1 PLC ± -	CHK R PATTERSON 9/30/92	NAME	
2 PLC ± -	3 PLC ± 0.13[.005]	APVD	PRODUCT SPEC	
4 PLC ± -	ANGLES ± -		APPLICATION SPEC	
MATERIAL	FINISH	SIZE	CAGE CODE	DRAWING NO
		WEIGHT	A1	00779
		CUSTOMER DRAWING	SCALE	5:1
			SHEET	1 OF 1
			REV	F

PIN ASSEMBLY, EUROCARD, TYPE B WITH BOARD-LOCKS