

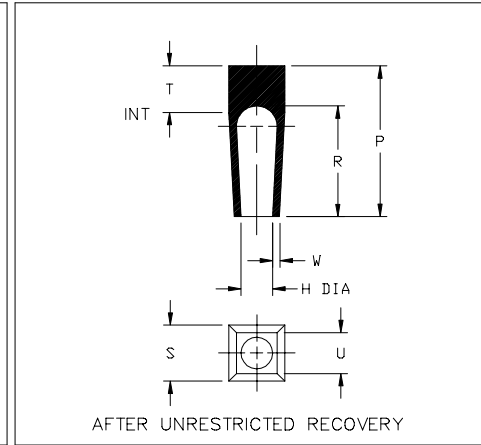
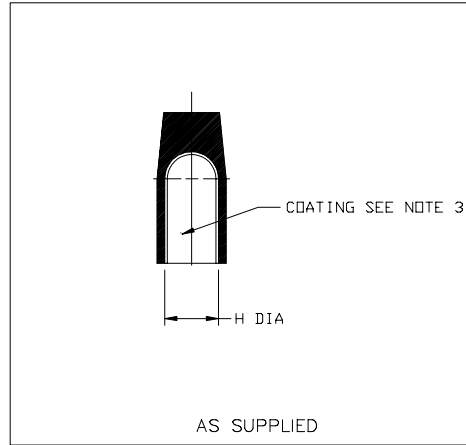
Thermofit[®] Molded Parts Specification Control Drawing

Part Number : 102A961
Description : Switchh Cover

**If this document is printed it becomes uncontrolled.
Check with document control for latest revision.**

NOTES

- All dimensions are in $\frac{\text{inches}}{\text{[millimeters]}}$
- Dimensions appearing in table are as follows:
 - a - As Supplied
 - b - After Unrestricted Recovery
- Coating is optional. As supplied dimensions appearing in table are for uncoated parts. When coating is added, entry diameters will be reduced by .06 max.



PART NUMBER	H		P	R	S	T	U	W
	Min	Max	±10%	±10%	±10%	±10%	±10%	±20%
	a	b	b	b	b	b	b	b
102A961	.29 [7,4]	.18 [4,6]	.81 [20,6]	.59 [15,0]	.30 [7,6]	.25 [6,4]	.24 [6,1]	.04 [1,02]

Raychem

RAYCHEM CORPORATION
300 CONSTITUTION DRIVE
MENLO PARK, CALIFORNIA 94025

Revision : D
Date : 9/16/98

Part Number : 102A961
Description : Switch Cover

Thermofit[®] Molded Parts Specification Control Drawing

Part Number : 102A961
Description : Switch Cover

MATERIAL DASH NO.	MATERIAL DESCRIPTION	RT SPEC	COATING SLASH NO.	COATING S NO.	COATING DESCRIPTION
-3	Polyolefin, Semi-rigid	RT-301	/42	S-1017	Adhesive

ORDERING INFORMATION			
Base part number	102A961	-X	-XX /XX
Material dash number (See Compotability Chart)			
Modification number (If necessary, see front of scd binder for a complete list)			
Adhesive slash number (If necessary, see Compatability Chart)			

THIS DRAWING IS SUBJECT TO CHANGE WITHOUT NOTICE; CONSULT YOUR NEAREST FIELD REPRESENTATIVE FOR CURRENT REVISION

Raychem

RAYCHEM CORPORATION
300 CONSTITUTION DRIVE
MENLO PARK, CALIFORNIA 94025

Revision : D
Date : 9/16/98

Part Number : 102A961
Description : Switch Cover

CAD FILE MP98155