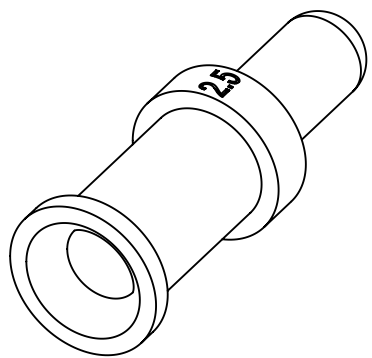
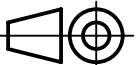



wire gauge: 2.5mm² / AWG 14
 stripping length: 6.5mm
 coating: silver plated



	All Dimensions in mm Original Size DIN A4		Scale 10:1	Free size tol.		Ref. Sub. TB 11 05 000 6106 v. 28.04.10		
		All rights reserved Department EL PD - DE		Created by HOLLERT	Inspected by RIEPE	Standardisation TIEMANNA	Date 2013-11-28	State Final Release
HARTING Electric GmbH & Co. KG D-32339 Espelkamp				Title Han-Yellock Crimp contact male 2.5mm ²			Doc-Key / ECM-Nr. 100177932/UGD/006/B 500000068615	
				Type TB	Number 11 05 000 6106		Rev. B	Page 1/1