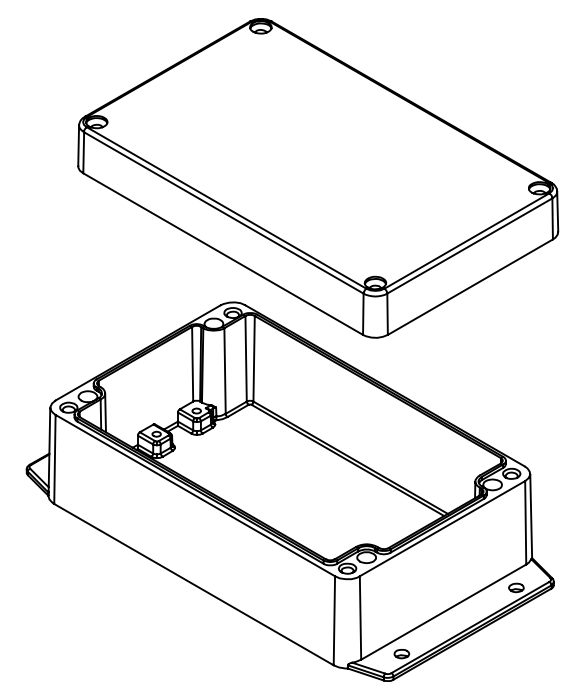


**BODY**



- NOTES:
- 1- MATERIAL: ALUMINUM ALLOY ADC-12
  - 2- FINISH: NATURAL (NO SUFFIX) BLACK (SUFFIX -B)
  - 3- FOUR (4) M4 X 0.7mm SCREWS SUPPLIED FOR ASSEMBLY OF COVER TO BODY
  - 4- ALL HOLE DIAMETERS HAVE  $\pm .005$  [.12] TOLERANCE. ALL OTHER DIMENSIONS HAVE  $\pm .015$  [.38] TOLERANCE.
  - 5- ALL OUTSIDE DRAFT ANGLE:  $1^\circ$  ALL INSIDE DRAFT ANGLE:  $1/2^\circ$
  - 6- DIMENSIONS ARE INCH[MM]

