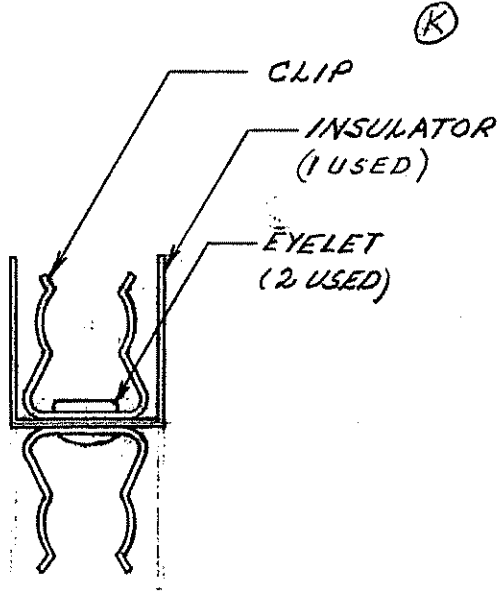


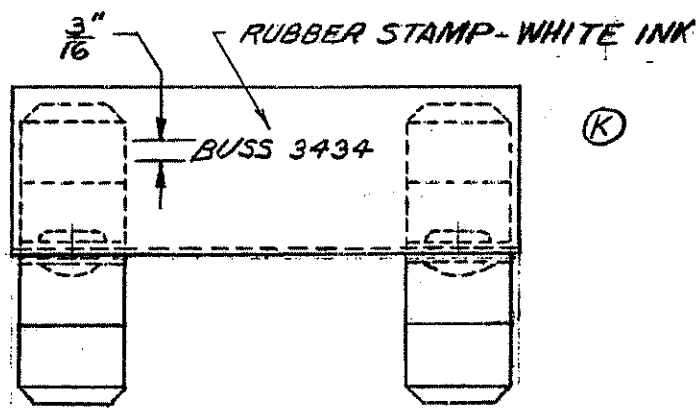
DATE 4-19-99		NO. 3434	
TITLE INSULATED TWIN CLIPS			
SJP. NO. 3434 J		DATED 10-24-98	
DWG. S	CK.	CHANGE K	
ENG. WM	CHK. KOB	N99068	
Bussmann Division Cooper Industries St. Louis, MO 63178			
DISTRIBUTION			56 J

PAGE 1 OF 2



(4 USED) (H)

FOR $\frac{1}{4}$ " x 1" FUSES
 $\frac{1}{4}$ " x $\frac{1}{4}$ "



(H)