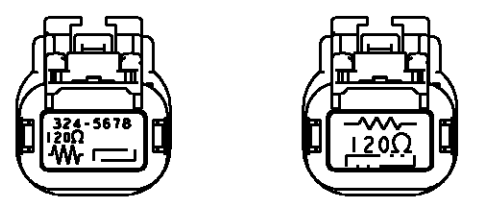
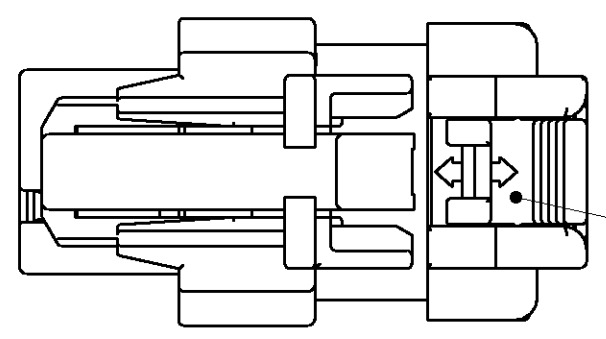


THIS DRAWING IS UNPUBLISHED. RELEASED FOR PUBLICATION 20
 © COPYRIGHT 20 BY TYCO ELECTRONICS CORPORATION. ALL RIGHTS RESERVED.

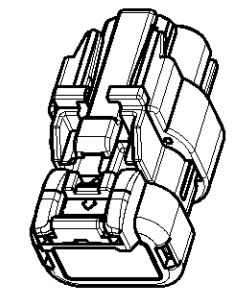
LOC	DIST	REVISIONS					
		P	LTR	DESCRIPTION	DATE	DWN	APVD
J	-		A	RELEASED	16JUL2008	S.K	S.M



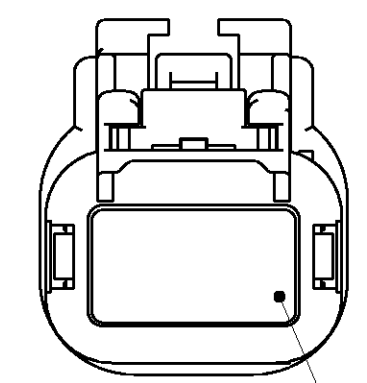
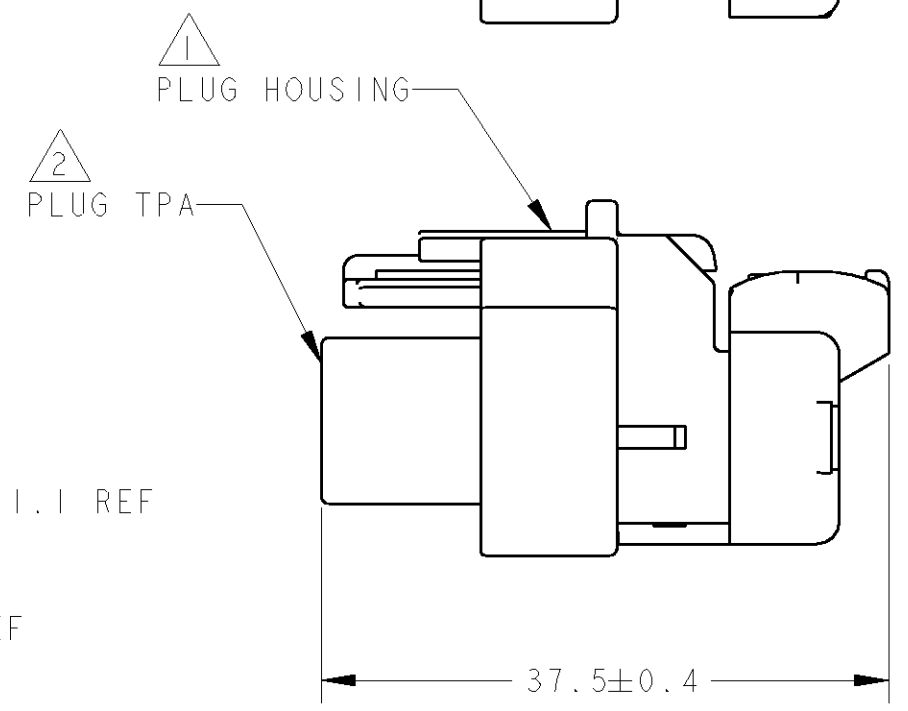
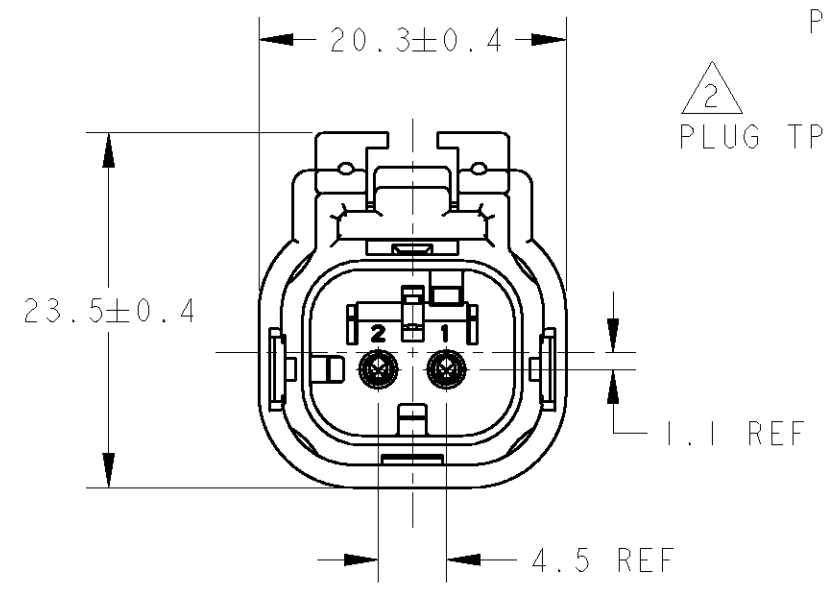
2040278-1 SCALE 1:1
 2040278-2 SCALE 1:1



CPA $\triangle 2$
 (PRE-STAGED CONDITION)



スケール 1:1



RESISTANCE LABEL

-	0.5W/120Ω	2040278-2
324-5678	0.5W/120Ω	2040278-1
CATERPILLAR No.	RESISTANCE	PART No.

$\triangle 1$ MATERIAL: 15% GLASS FILLED THERMOPLASTIC
 COLOR: BLACK

$\triangle 2$ MATERIAL: 15% GLASS FILLED THERMOPLASTIC
 COLOR: RED

3. MATERIAL OF SEAL : SILICONE

THIS DRAWING IS A CONTROLLED DOCUMENT FOR TYCO ELECTRONICS CORPORATION
 IT IS SUBJECT TO CHANGE AND THE CONTROLLING ENGINEERING ORGANIZATION
 SHOULD BE CONTACTED FOR THE LATEST REVISION.

DIMENSIONS: 単位: 珪 mm	TOLERANCES UNLESS OTHERWISE SPECIFIED: 一般公差 ± - 0-PLC ± - 1-PLC ± - 2-PLC ± - 3-PLC ± - 4-PLC ± - ANGLES ± -	DWN S.KUBOTA 16JUL2008 CHK T.KUDO 16JUL2008 APVD S.MANABE 16JUL2008
MATERIAL 材料	FINISH 仕上	PRODUCT SPEC 製品規格 APPLICATION SPEC 取付適用規格

WIRE RANGE 抱合電線断面積	INSULATION DIA 被覆外径	Tyco Electronics Corporation Kawasaki, Japan	
		NAME 名称 PLUG ASSY	
		AMPSEAL 16 RESISTANCE-PLUG 2P	
SIZE	CAGE CODE	DRAWING NO 番号	RESTRICTED TO
A3	00779	C=2040278	-
CUSTOMER DRAWING		SCALE 尺度 2:1	SHEET 1 OF 1 REV A