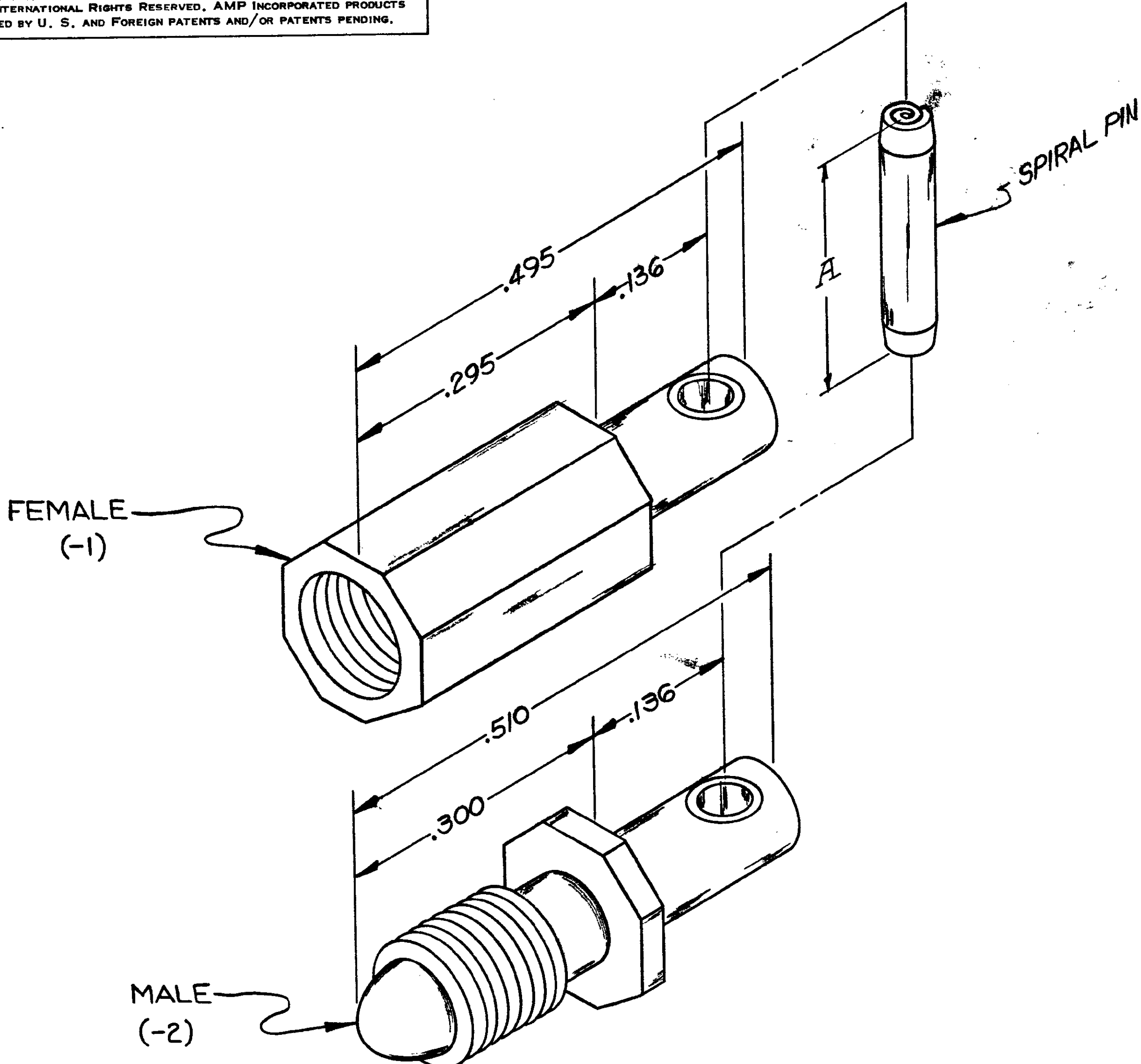


© COPYRIGHT 19 BY AMP INCORPORATED, HARRISBURG, PA.
 ALL INTERNATIONAL RIGHTS RESERVED. AMP INCORPORATED PRODUCTS
 COVERED BY U. S. AND FOREIGN PATENTS AND/OR PATENTS PENDING.

REVISIONS						
P	F	ZONE	LTR	DESCRIPTION	DATE	APPROVED
			0	REL.		
			01	ADD -3; AB-1664	db 6-26	EAM
			A	REV PER 0600-5354-96	JB 10-96	Am



FEMALE
(-1)

MALE
(-2)

SPIRAL PIN

.187±.015	FEMALE JACKSCREW KIT	531985-3
.250	MALE JACKSCREW KIT	531985-2
.250	FEMALE JACKSCREW KIT	531985-1
A	DESCRIPTION	PART NO

1. FEMALE JACKSCREW-SOCKET .240 DEEP, 6-32 UNC-2B DOUBLE THREAD DOUBLE LEAD.
2. MALE JACKSCREW-TIP .270 LONG, 6-32 UNC-2A DOUBLE THREAD DOUBLE LEAD.
3. KIT CONSISTS OF ONE MALE OR ONE FEMALE JACKSCREW AND ONE SPIRAL PIN.

UNLESS OTHERWISE SPECIFIED DIMENSIONS ARE IN INCHES. TOLERANCES ON: DECIMALS ± .010 ANGLES ±	CONTRACT NO	AMP AMP INCORPORATED Harrisburg, Pa.	
	DR IRSHAFFNER 12-19-80	NAME JACKSCREW, FIXED ASSEMBLY, FOR RIGHT ANGLE BOX CONNECTOR	
MATERIAL STAINLESS STEEL	CHK E. Parsons 12/30/80	APPD E. Parsons 12-30-80	
FINISH PASSIVATED	DSGN APPD	SIZE C	CODE IDENT NO 00779
	OTHER APPD	DRAWING NO 531985	
		SCALE 1Δ:1	SHEET 1 OF 1

CUSTOMER DRAWING

531985