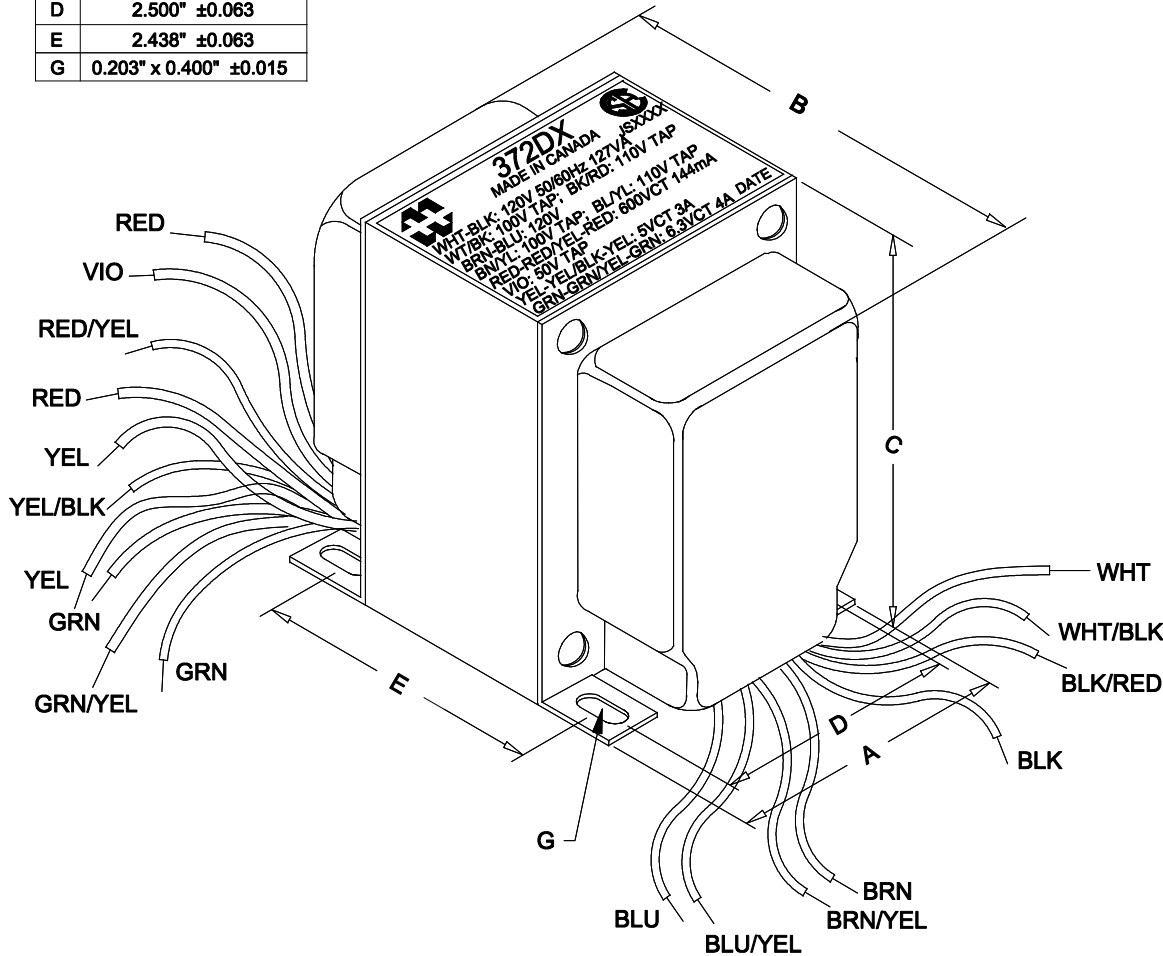
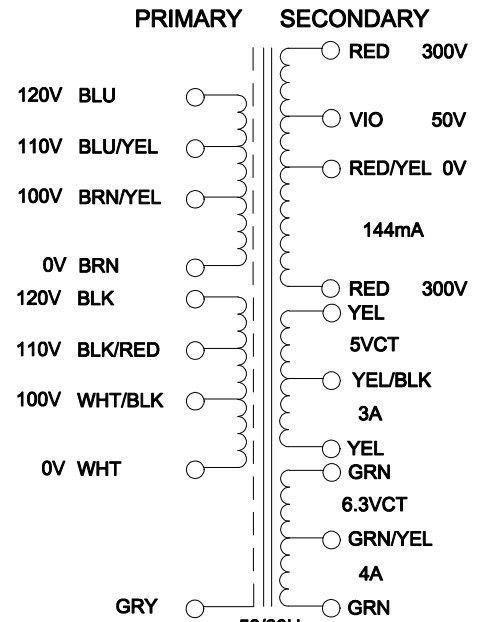


| DIMENSIONS: | |
|-------------|------------------------|
| A | 3.125" ±0.063 |
| B | 3.750" ±0.125 |
| C | 3.810" ±0.063 |
| D | 2.500" ±0.063 |
| E | 2.438" ±0.063 |
| G | 0.203" x 0.400" ±0.015 |



NOTE: ALL LEADS 8" OUT MIN. STRIPPED 0.5"



SECONDARY RATED VOLTAGES UNDER LOAD

GRY - ELECTROSTATIC SHIELD 50/60Hz

ELECTRICAL DATA:

| TESTS | CONDITIONS | ACCEPTANCE CRITERIA | |
|------------|---------------------------------|---------------------|------|
| Iex | @ 120V, 60Hz, WHT - BLK | 236.4mA | Max. |
| Sec. N.L.V | @ 120V, 60Hz, WHT - BLK | | |
| | RED - RED = | 648.0V | ±2% |
| | RED - RED/YEL = RED/YEL - RED = | 324.0V | ±2% |
| | RED/YEL - VIO = | 50.06V | ±2% |
| | YEL - YEL = | 5.486V | ±2% |
| | YEL - YEL/BLK = YEL/BLK - YEL = | 2.743V | ±2% |
| | GRN - GRN = | 6.857V | ±2% |
| | GRN - GRN/YEL = GRN/YEL - GRN = | 3.429V | ±2% |
| DCR | @ 20°C, WHT - BLK = | 5.843 Ω | ±20% |
| | @ 20°C, BRN - BLU = | 6.294 Ω | ±20% |
| | @ 20°C, RED - RED = | 121.4 Ω | ±20% |
| | @ 20°C, YEL - YEL = | 0.069 Ω | ±20% |
| | @ 20°C, GRN - GRN = | 0.057 Ω | ±20% |
| HIPOT | PRIMARY - SECONDARY | 2500V, 60Hz, 1 SEC | |

| REV.# | REVISION | DATE |
|-------|-----------|----------|
| 0 | RELEASED. | 08/10/12 |
| | | |
| | | |

HAMMOND MANUFACTURING™ ELECTRONIC DIVISION
 52 RANKIN PLACE, WATERLOO, ONTARIO, N2J 3Z5
 PH # (519) 886-6181 FAX # (519) 886-9540

| | | | |
|------------------|-------------------------|--------------------------|----------------|
| DWG. BY: C. ILIE | CHK'D BY: | TITLE: POWER TRANSFORMER | DWG. NO. 372DX |
| DATE: 08/10/12 | APP'D. BY: | | |
| | DIMENSIONS: IN(X) MM() | | |