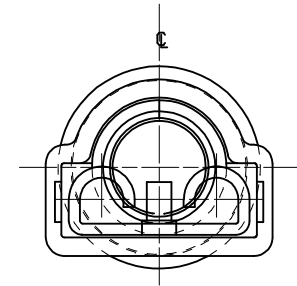
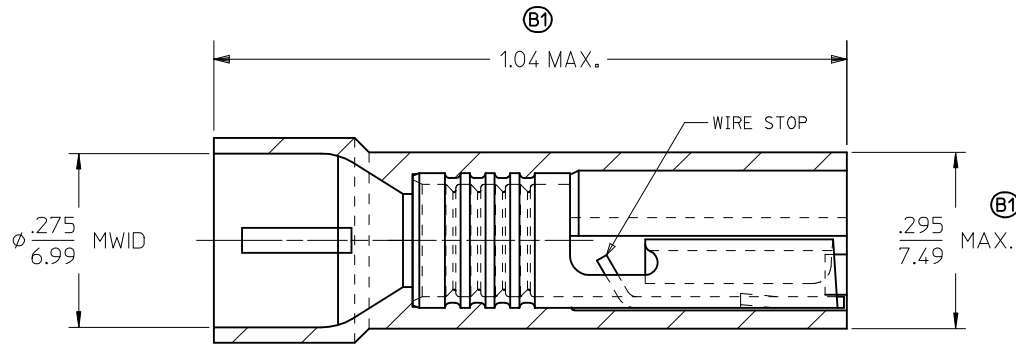
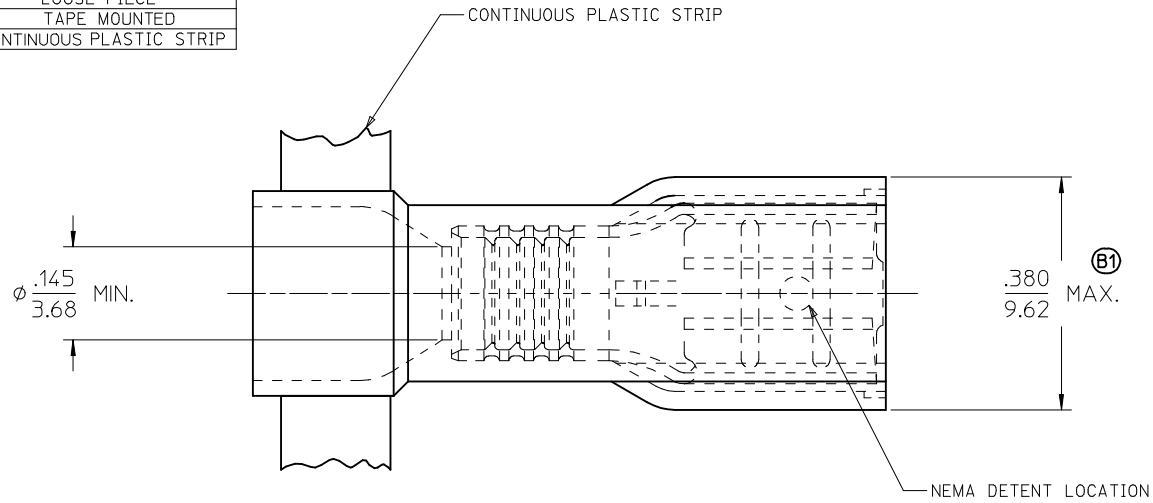


MATERIAL NUMBER	ENGINEERING NUMBER	CARRIER CONFIGURATION
190050016	C-2265VN	LOOSE PIECE
190050018	C-2265VNT	TAPE MOUNTED
190050017	C-2265VNC	CONTINUOUS PLASTIC STRIP



SALES DRAWING

NOTES:

1. MATERIAL: TERMINAL: BRASS .018/0.46.
PLATING: ELECTRO-TIN
INSULATION: NYLON 6/6 94V-0 RATING
COLOR: YELLOW.
2. MWID = MAXIMUM WIRE INSULATION DIAMETER.
3. ALL DIMENSIONS = INCHES/MM
4. PARTS ARE ROHS COMPLIANT.

CORRECT TOLERANCES EC NO: WNA2009-0432 DRW: MTHRODAHL 2009/01/15 CHKD: JMACNEIL 2009/01/16 APPR: JMACNEIL 2009/01/16	QUALITY SYMBOLS ▽=0 ▽=0	GENERAL TOLERANCES (UNLESS SPECIFIED)		DIMENSION STYLE		SCALE	DESIGN UNITS	THIRD ANGLE PROJECTION			
				IN/MM		5:1	INCH				
				mm	INCH	DRAWN BY	DATE	TITLE			
				DRAFT WHERE APPLICABLE MUST REMAIN WITHIN DIMENSIONS		HEB	2001/06/07	FIQD FEMALE, INSULKRIMP 94V-0 MATERIAL 12-10 AWG			
				4 PLACES	± --- ± ---	CHECKED BY	DATE				
				3 PLACES	± --- ± .005	RWD	2001/06/07	MOLEX INCORPORATED			
				2 PLACES	± 0.13 ± .01	APPROVED BY	DATE				
				1 PLACE	± 0.25 ± ---	RWD	2001/06/07	DOCUMENT NO. SD-19003-004			
				ANGULAR ± ---°							
				SEE CHART				SHEET NO. 1 OF 1			
				MATERIAL NO.				THIS DRAWING CONTAINS INFORMATION THAT IS PROPRIETARY TO MOLEX INCORPORATED AND SHOULD NOT BE USED WITHOUT WRITTEN PERMISSION			