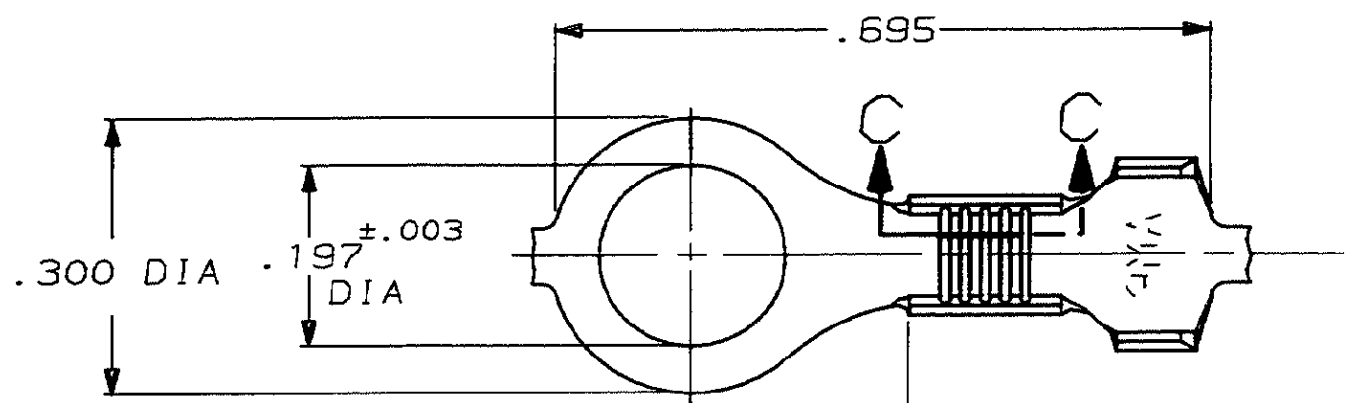
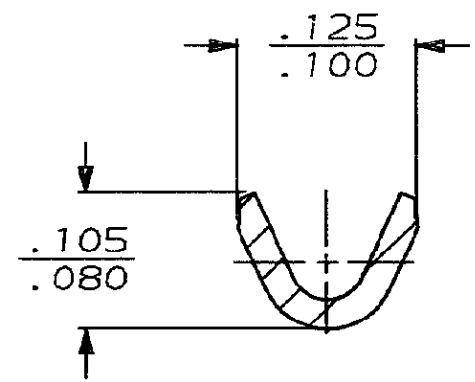
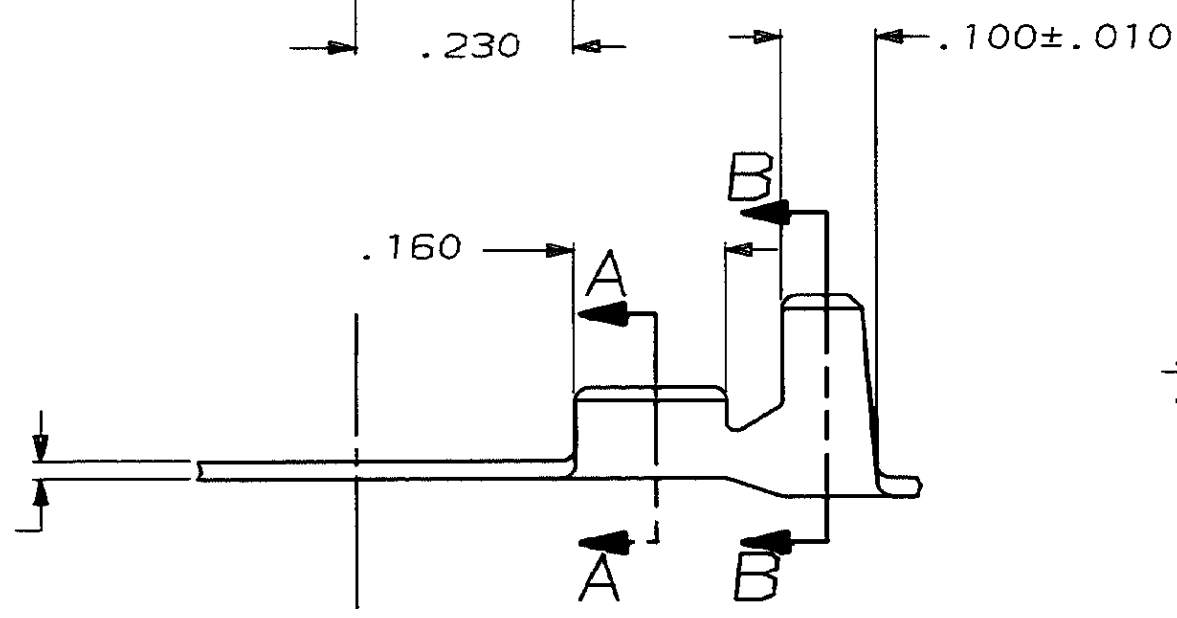


THIS DRAWING IS UNPUBLISHED. RELEASED FOR PUBLICATION .19
 © COPYRIGHT 19 BY AMP INCORPORATED. ALL INTERNATIONAL RIGHTS RESERVED.

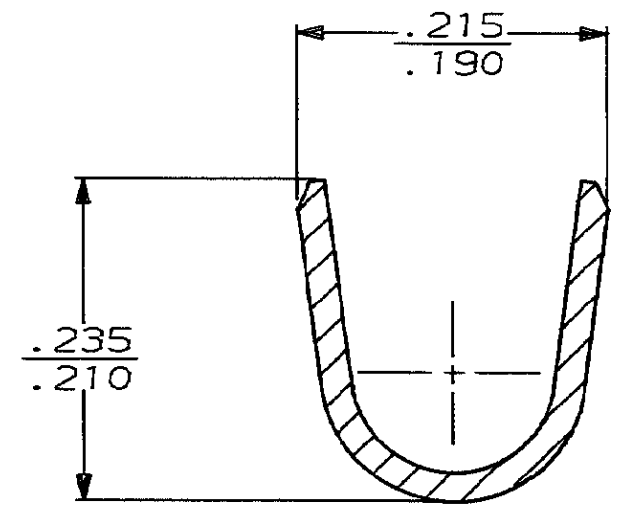
LOC	DIST	P	F	ZONE	LTR	DESCRIPTION	DATE	APPD
AF	50				F	REDRAWN PER AF-6568	PF/JR	2/28/90



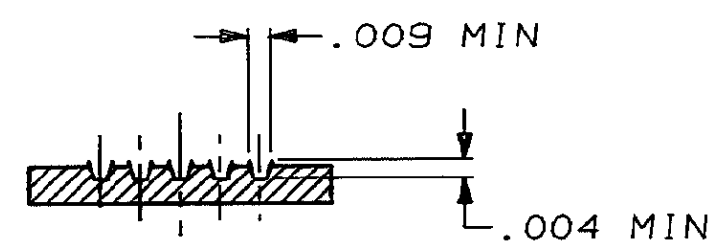
1 CONTINUOUS STRIP ON REELS



SECTION A-A
SCALE 8:1



SECTION B-B
SCALE 8:1



SECTION C-C
SCALE 10:1

	.125-.165 DIA	23-19 AWG	60325-2
	INSULATION RANGE	MAGNET WIRE RANGE	PART NO
DO NOT SCALE PRINT. UNLESS SPECIFIED DIMENSIONS IN INCHES TOLERANCES ON: 2 PLC DEC ± - 3 PLC DEC ± .015 ANGLES ± -	DR 3/1/90 P FORTNEY CHK 3/1/90 MS FEHER	AMP INCORPORATED Harrisburg, Pa. 17105	
MATERIAL #2 HARD BRASS	APPD 3/1/90 G YETTER APPD 3/10/90 R KUZO	NAME #10 STUD, RING, AMPLIVAR	
FINISH .000080 MIN TIN PL PER MIL-T-10727	PRODUCT SPEC - APPLICATION SPEC - WEIGHT -	SIZE B	CAGE CODE 00779
		DRAWING NO 60325	
		SCALE 5:1	SHEET 1 OF 1