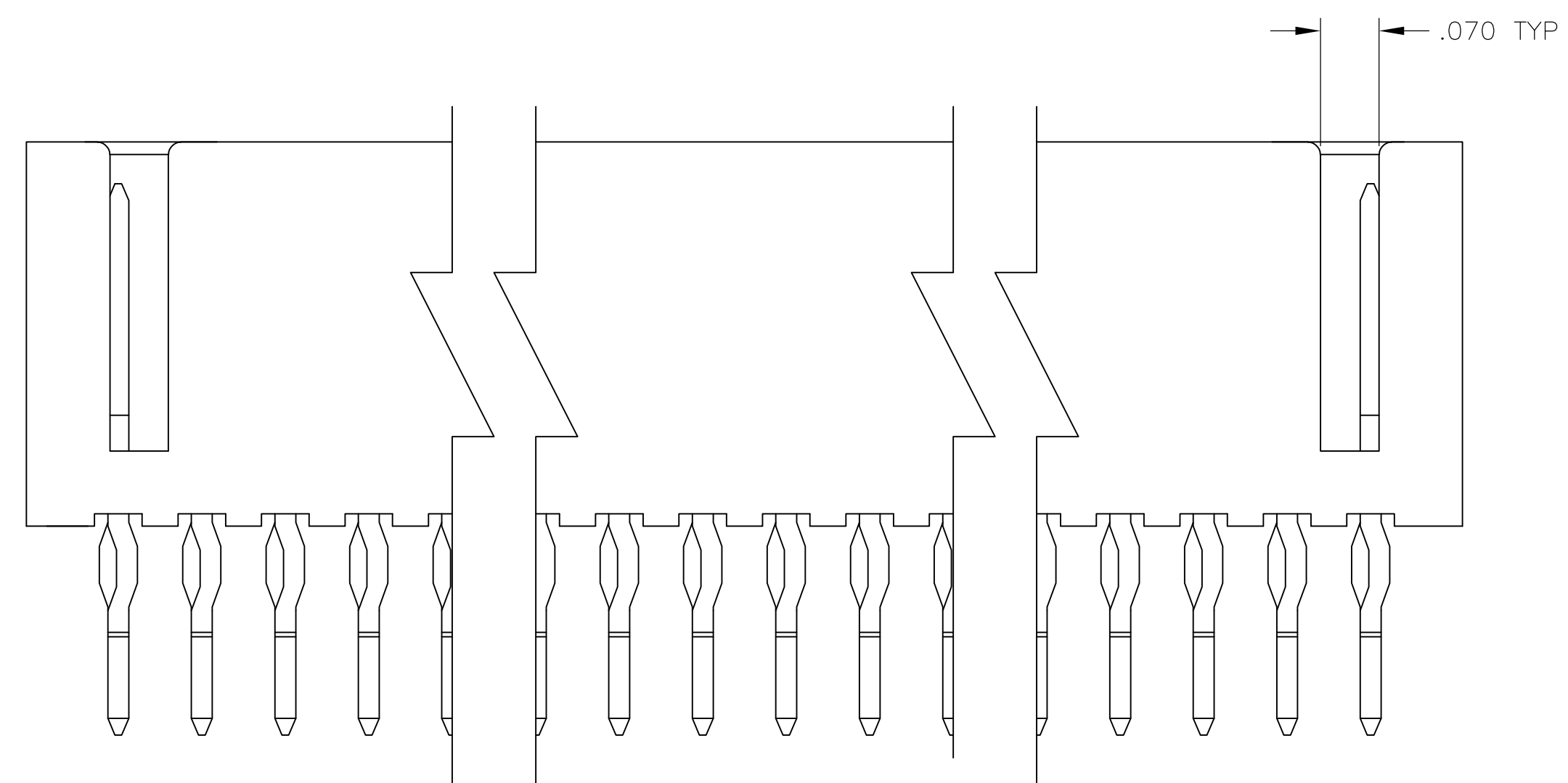
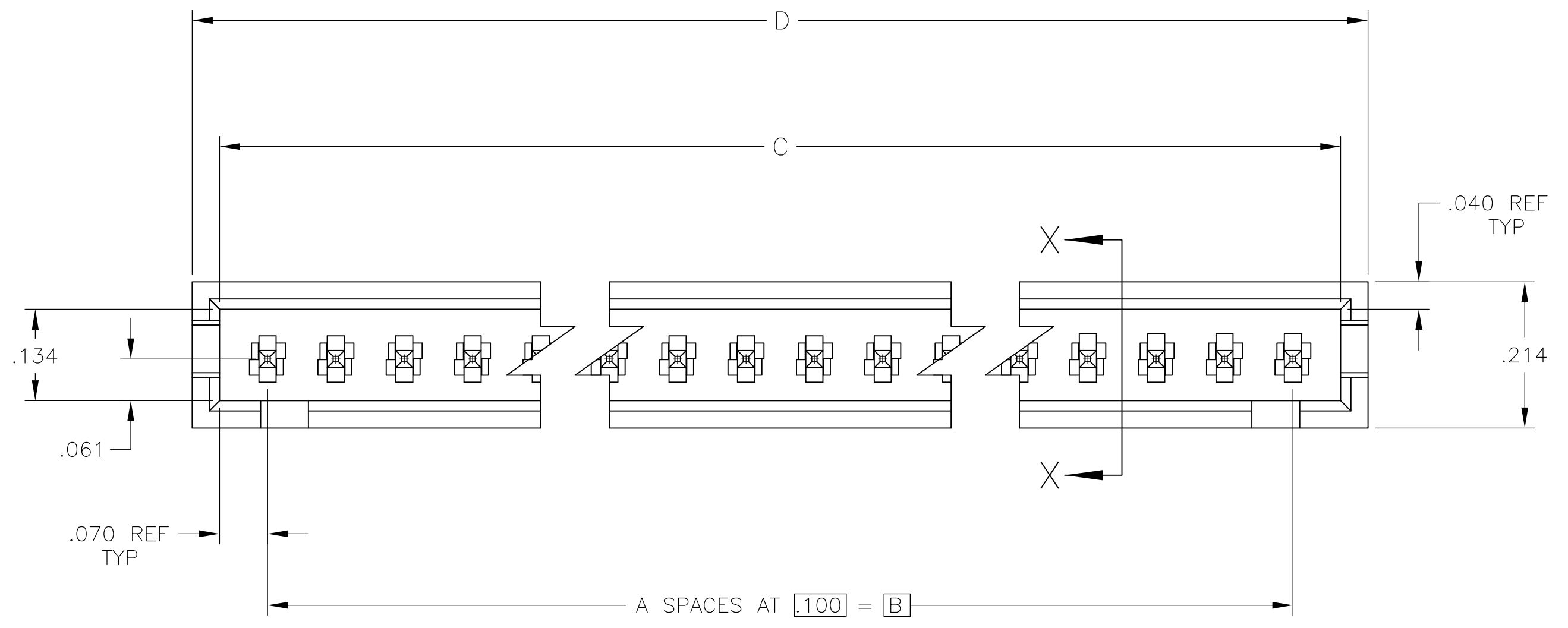
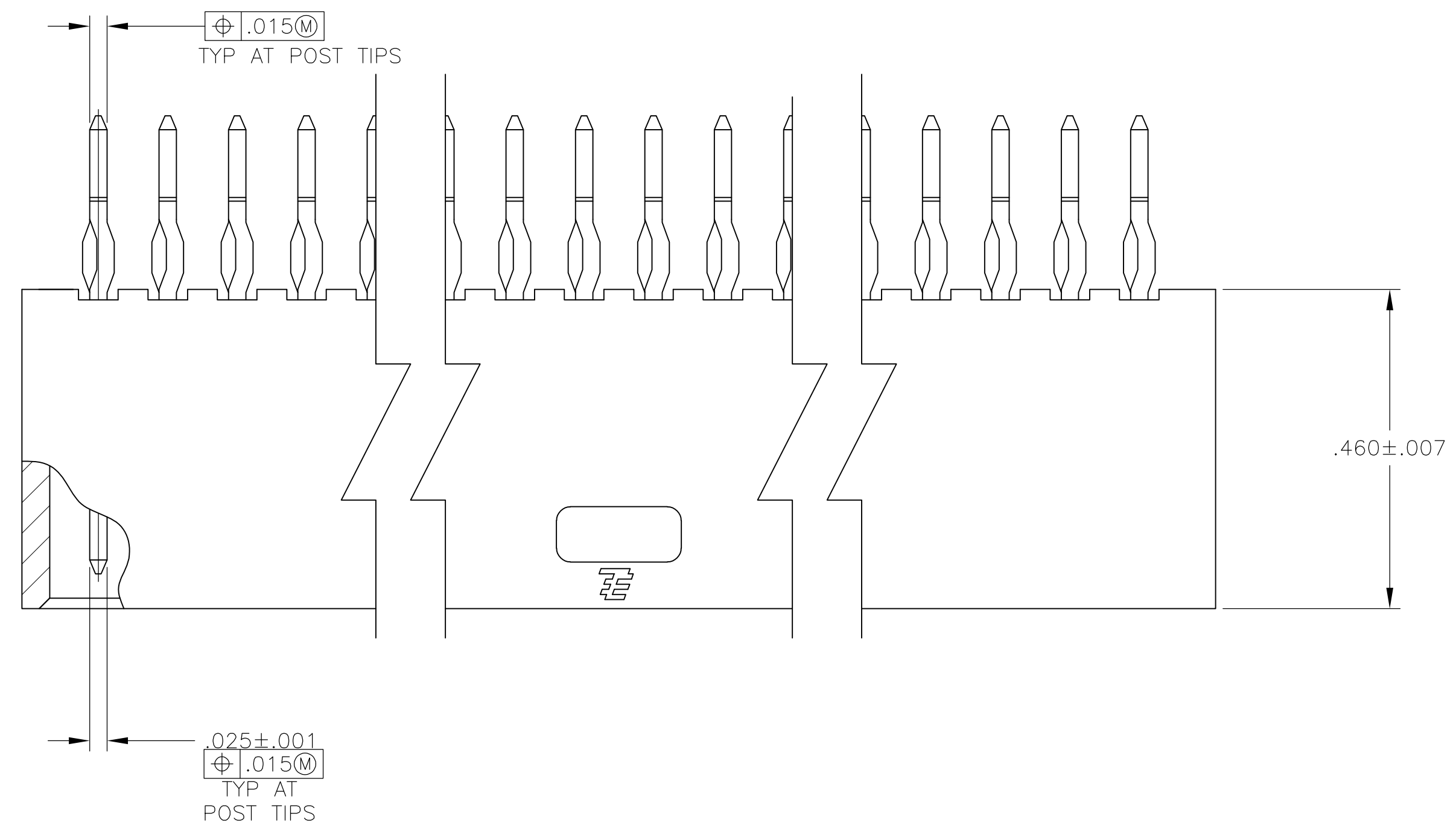
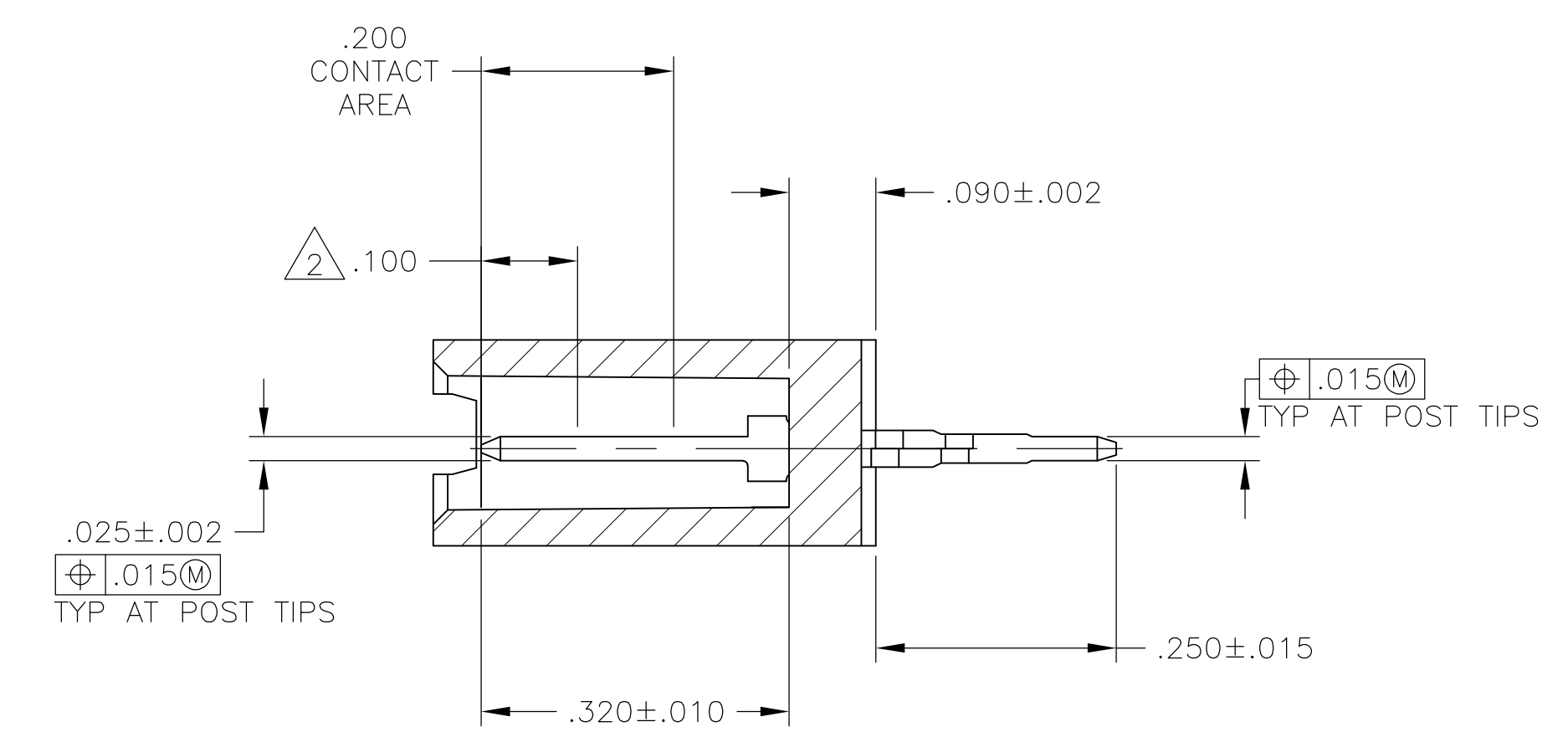


LOC		DIST		REVISIONS			
AD	00	IF	LTR	DESCRIPTION	DATE	DWN	APVD
		1		PRELIMINARY	06MAR08	MB	JG

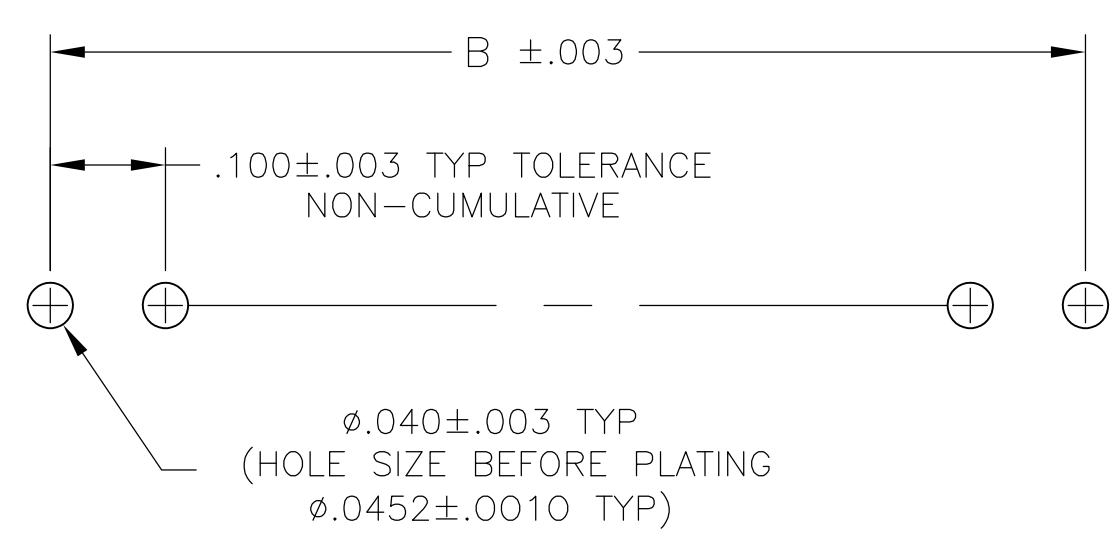


- 1 HOUSING: FLAME RETARDANT THERMOPLASTIC, COLOR- BLACK  
POST: COPPER ALLOY
- 2 POINT OF MEASUREMENT FOR PLATING THICKNESS
- 3 .000030 GOLD ON THE CONTACT AREA, .000100-.000200 MATE TIN-LEAD ON SOLDER TAIL, ALL OVER .000050 NICKEL



SECTION X-X

**PRELIMINARY**  
NOT RELEASED FOR PRODUCTION



RECOMMENDED HOLE LAYOUT

2.620	2.540	2.400	24	25	1977340-1
D	C	B	A	NO OF POSN	PART NUMBER

THIS DRAWING IS A CONTROLLED DOCUMENT.

DIMENSIONS: INCHES	TOLERANCES UNLESS OTHERWISE SPECIFIED:	DWN: M BINNER	DATE: 03/20/08	CHK: J GSEFORD	DATE: 03/20/08	NAME: J GSEFORD	PRODUCT SPEC: ASSEMBLY, MOD II, HEADER
0. PLC ± -	1. PLC ± -	2. PLC ± -	3. PLC ± .005	4. PLC ± -	ANGLES ± 0° 30'	FINISH	SIZE: A1
MATERIAL		WEIGHT		CAGE CODE		DRAWING NO	
1		3		A1 00779		1977340	
CUSTOMER DRAWING				SCALE: 4:1		SHEET 1 OF 1	

RESTRICTED TO