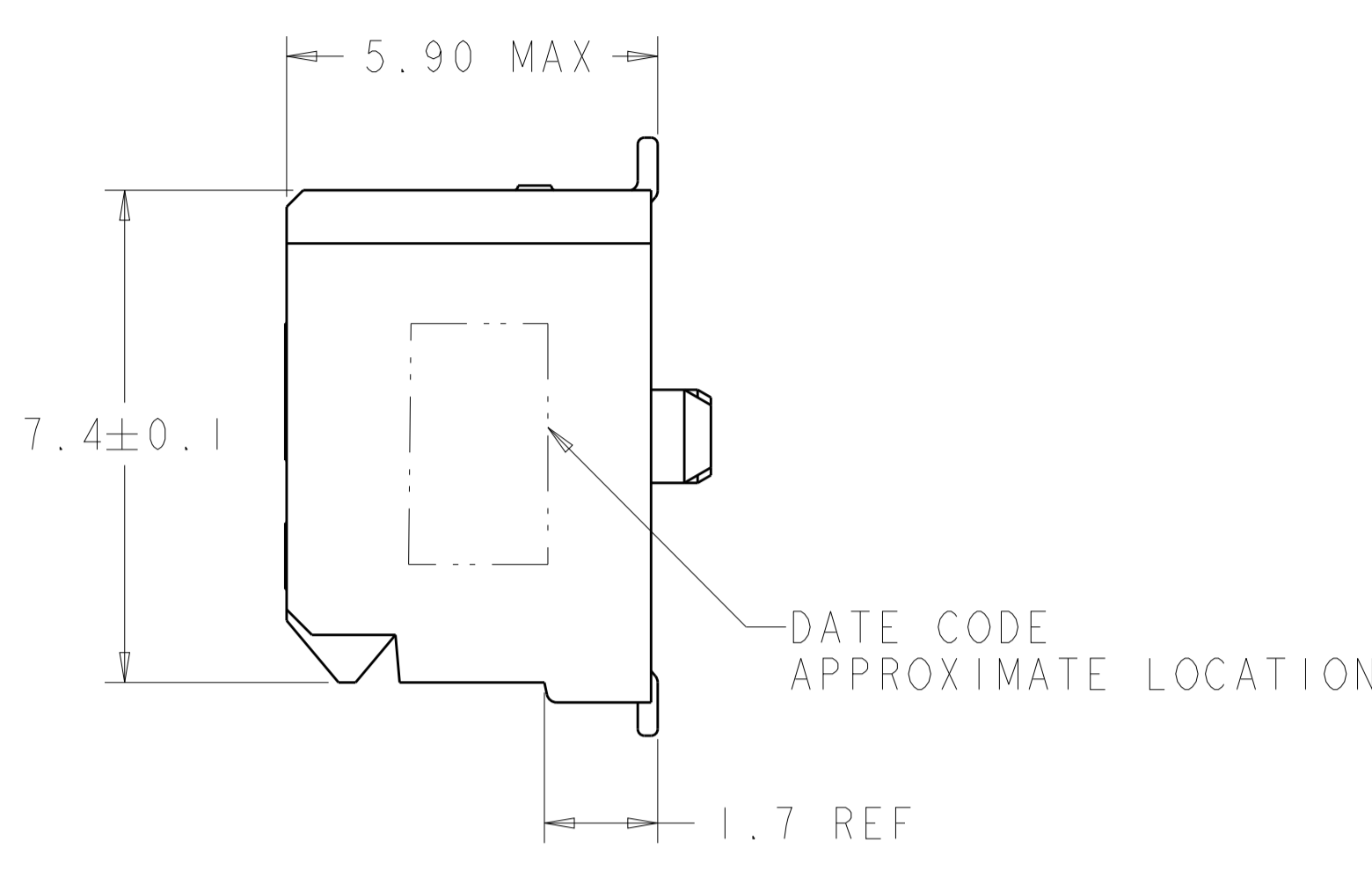
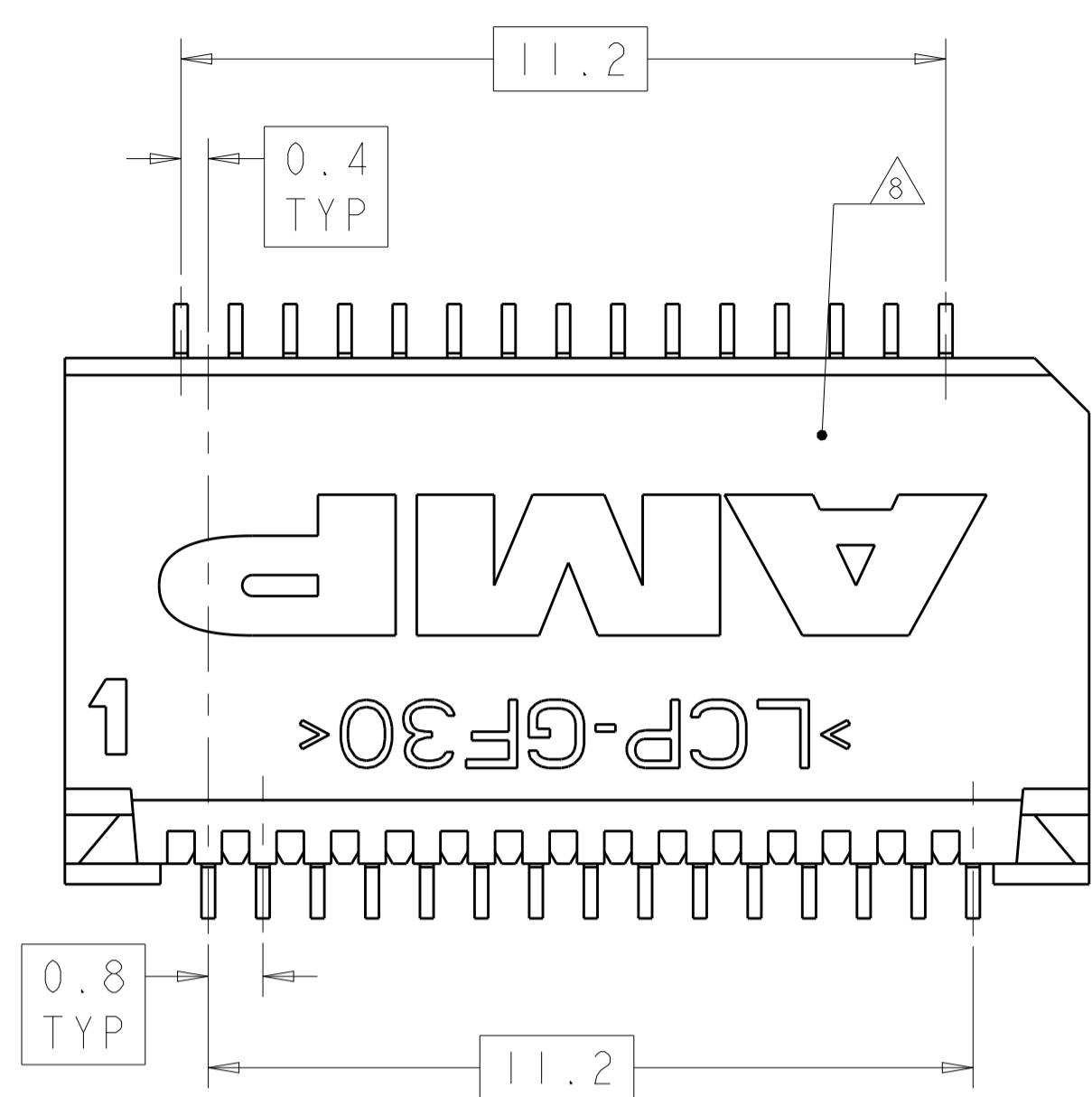
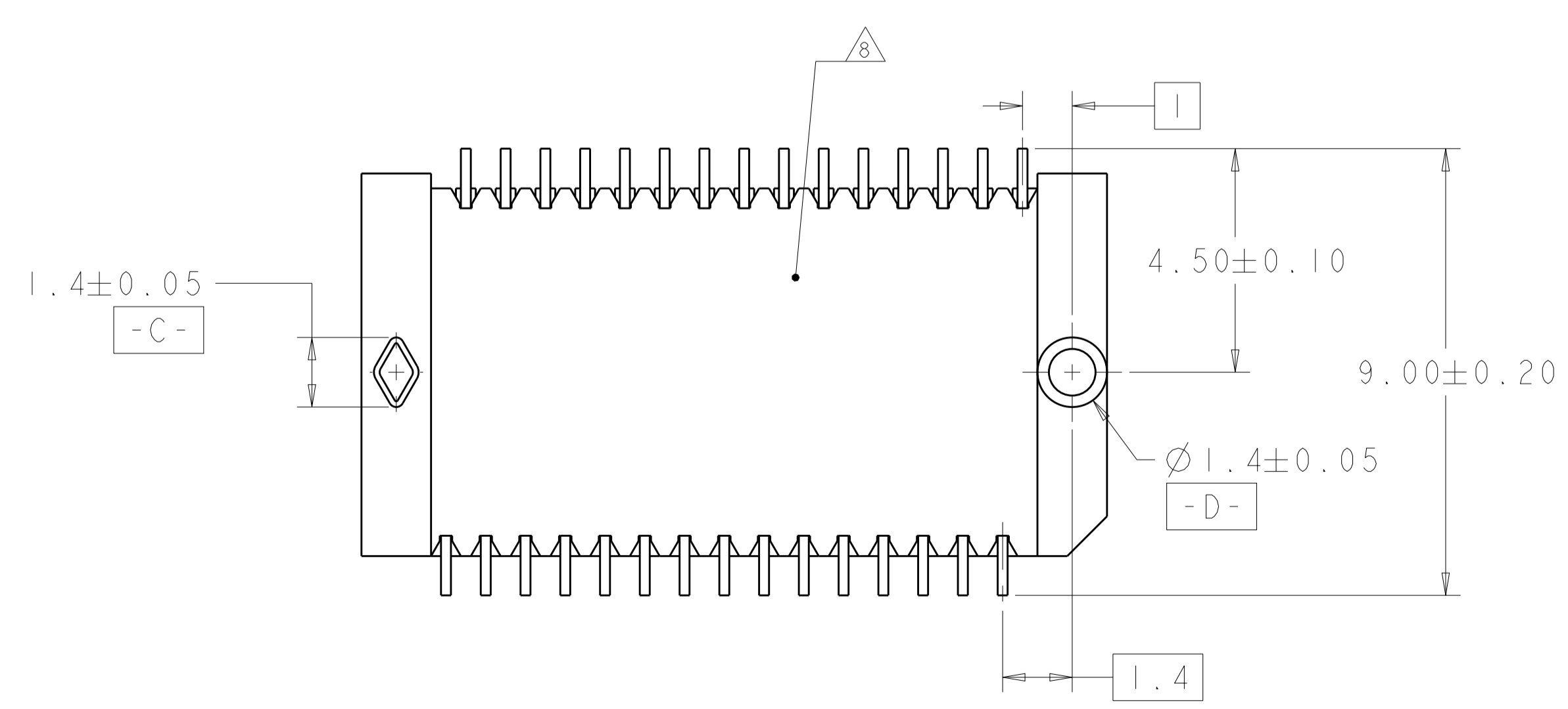
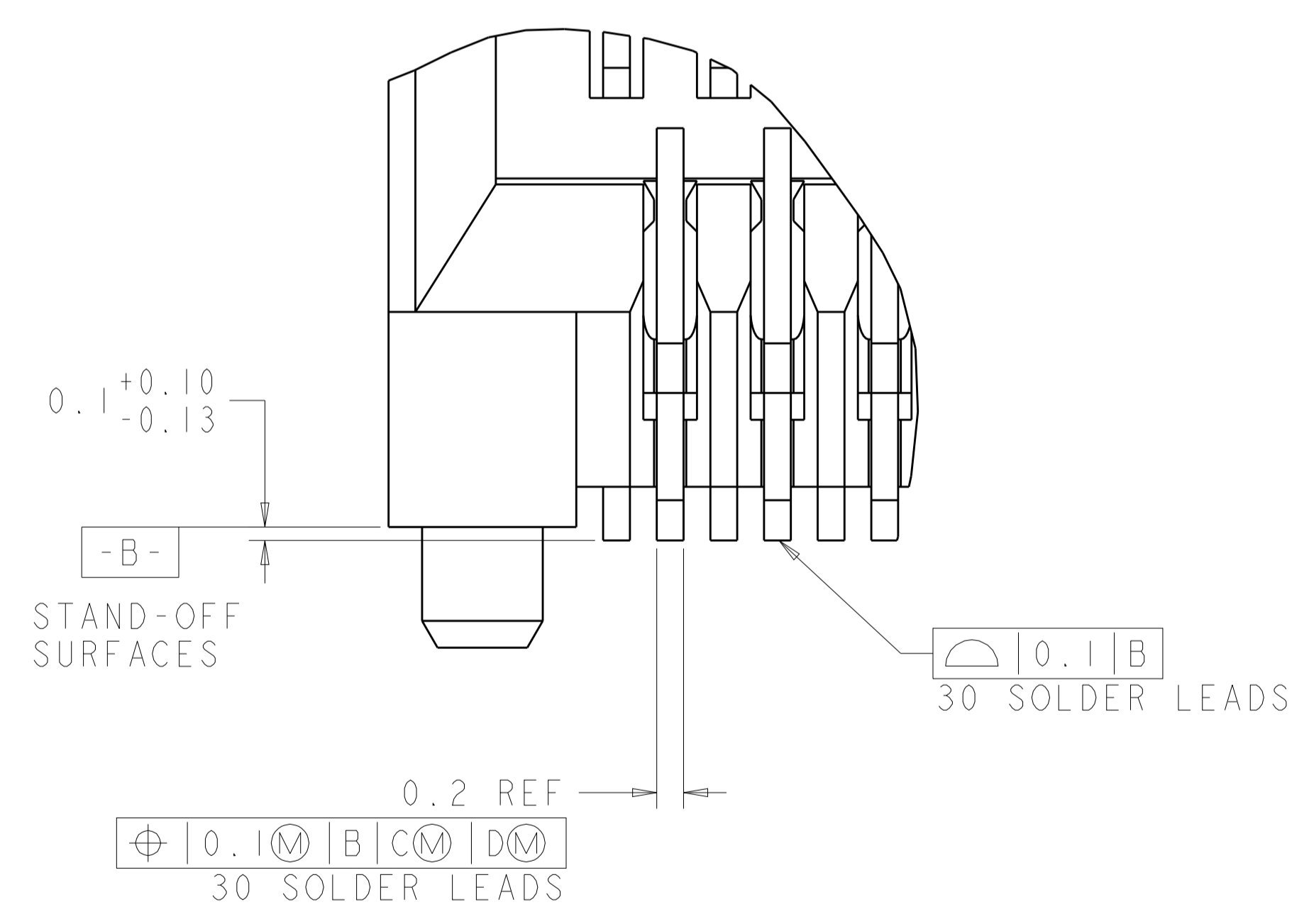
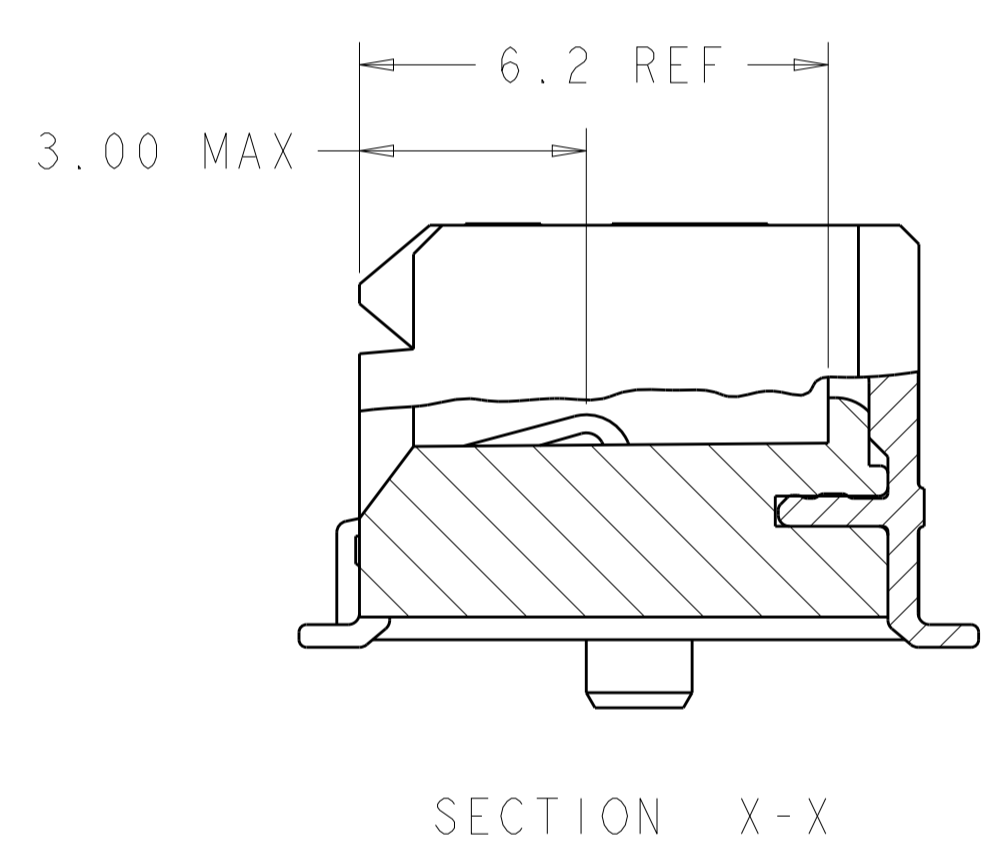
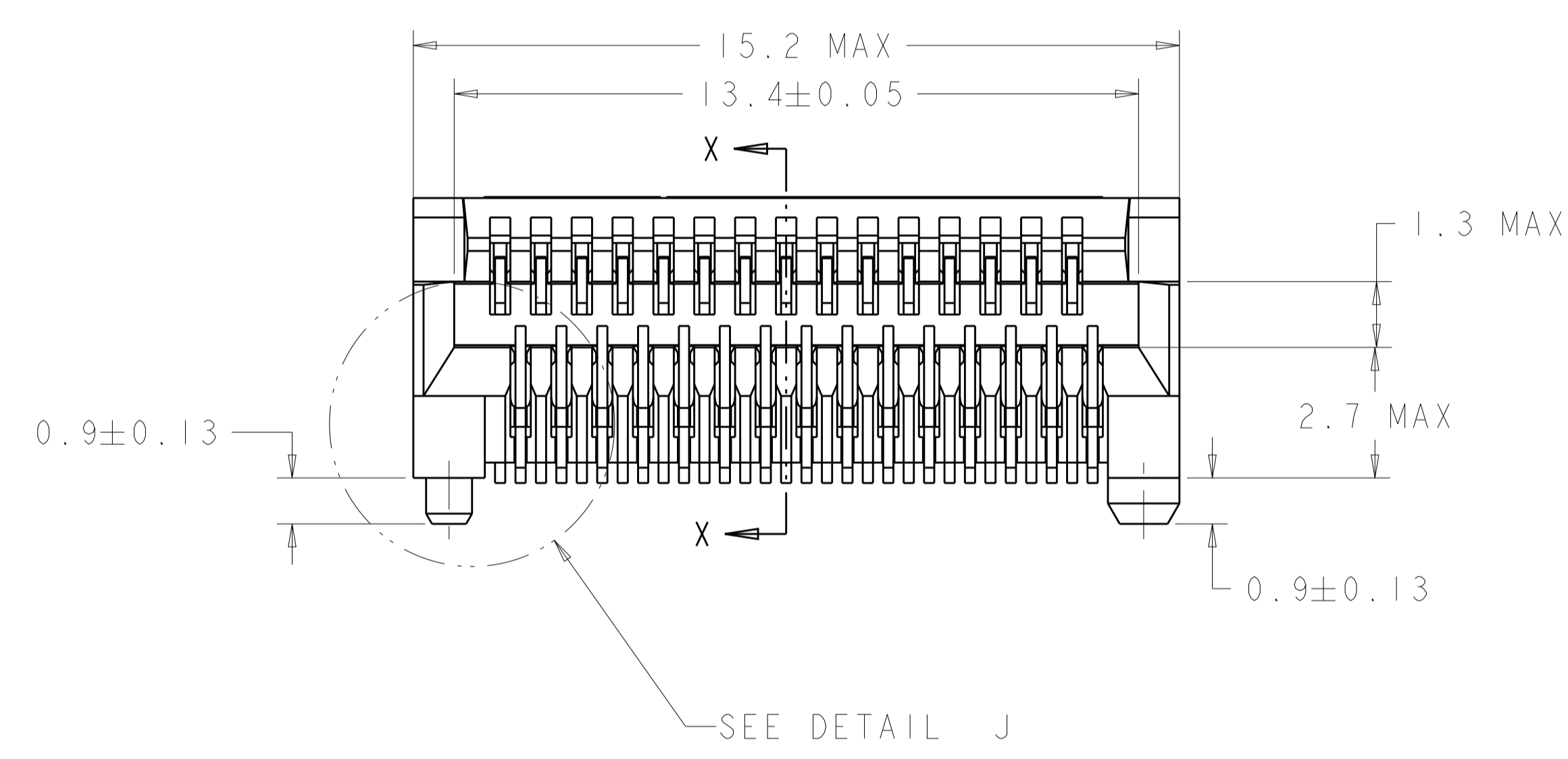


LOC	DIST	REV	DATE	BY	APPV
ES	00	K	16 JUL 2012	AZ	AC



- PART COMPATIBLE WITH XFP MSA. REFER TO THE XFP MSA FOR DIMENSIONS NOT SHOWN ON THIS PRINT.
- HOUSING MATERIAL: HIGH TEMPERATURE LCP, UL 94V-0 COLOR WHITE
CONTACT MATERIAL: PHOSPHOR BRONZE
- CONTACTS: 0.00076 MIN GOLD IN CONTACT AREA, 0.00013 MIN GOLD ON SOLDER AREA, OVER 0.0038 MIN NICKEL UNDERPLATE ON ENTIRE CONTACT. LUBRICANT ON GOLD PLATE CONTACT AREAS.
- PACKAGED 480 PIECES PER REEL
- GROUND, POWER, AND SIGNAL PAD ARRANGEMENT TO BE DETERMINED BY CUSTOMER
- DATUMS AND BASIC DIMENSIONS TO BE ESTABLISHED BY CUSTOMER
- SOLDER MASK KEEP OUT AREA.
- PULL GROOVES PERMITTED ON THESE SURFACES AT MOLDING ENGINEERING DISCRETION

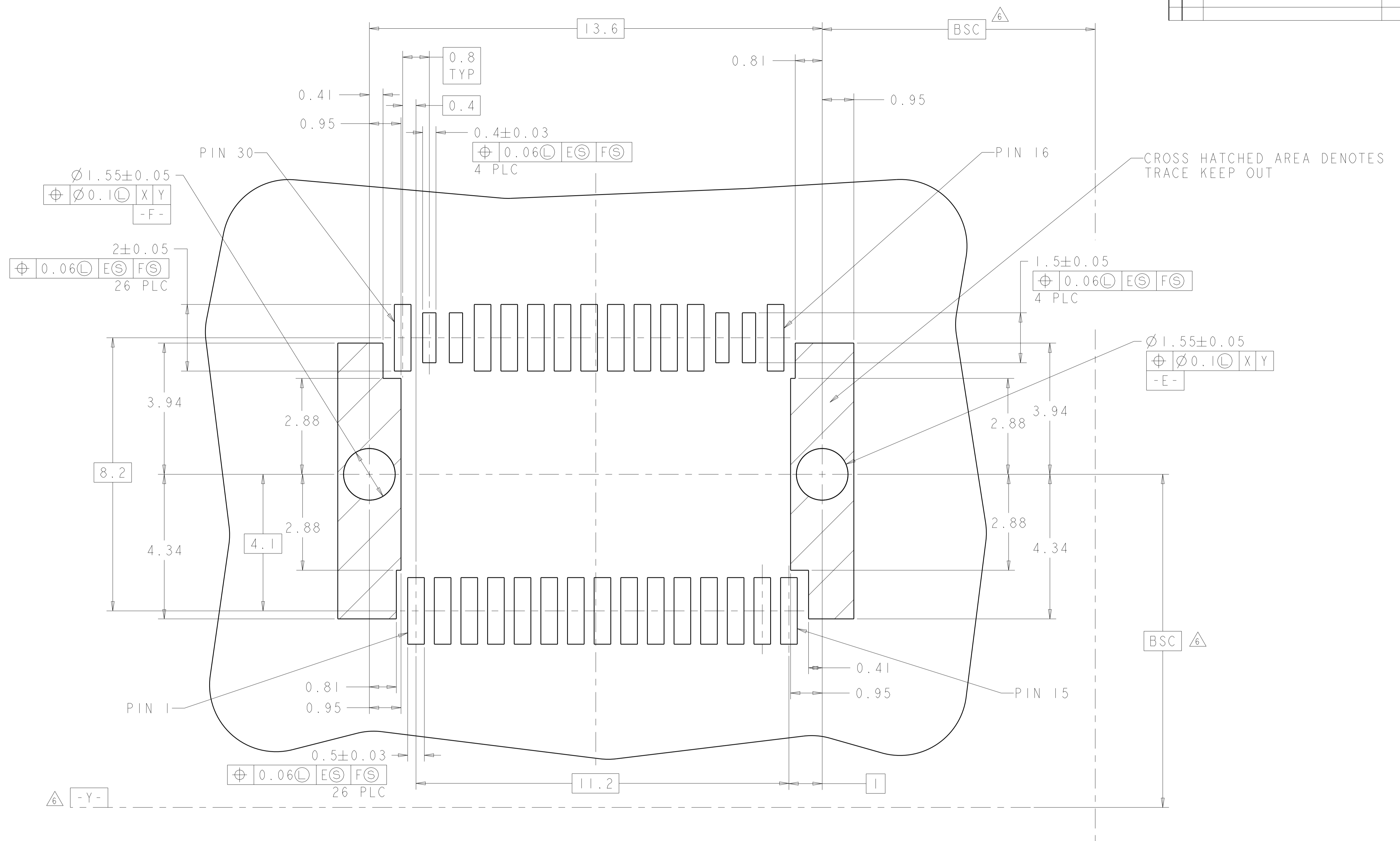


DETAIL J
SCALE 25:1

YES	1367500-2
NO	1367500-1
DATE CODE	PART NUMBER

DIMENSIONS: mm TOLERANCES UNLESS OTHERWISE SPECIFIED: 0 PLC ± 1 PLC ±0.10 2 PLC ± 3 PLC ± 4 PLC ± ANGLES ± FINISH		DWN P. KERLIN 17JAN03 CHK J. KOPPENHEFFER APVD M. WALMSLEY 06OCT03 PRODUCT SPEC 108-1949 APPLICATION SPEC 114-13017 WEIGHT CUSTOMER DRAWING	Tyco Electronics Corporation Shanghai, P.R. China, 200233 NAME PT CONNECTOR ASSEMBLY, ENHANCED PERFORMANCE, 30 POSITION XFP, RTANG, 0.8MM PITCH SIZE CAGE CODE DRAWING NO A100779C=1367500 SCALE 10:1 SHEET 1 OF 3 REV K
---	--	---	---

LOC	DIST	REV	DATE	BY	APPV
ES	00				



OPTIONAL LAYOUT FOR IMPROVED
 SIGNAL INTEGRITY, MOUNTING SIDE
 SCALE 16:1

DIMENSIONS: mm 		TOLERANCES UNLESS OTHERWISE SPECIFIED: 0 PLC ± 1 PLC ±0.10 2 PLC ± 3 PLC ± 4 PLC ± ANGLES ± FINISH		DWN P. KERLIN 17JAN03 CHK J. KOPPENHEFFER 06OCT03 APVD M. WALMSLEY 06OCT03 PRODUCT SPEC 108-1949 APPLICATION SPEC 114-13017 WEIGHT CUSTOMER DRAWING		Tyco Electronics Corporation Shanghai, P.R. China, 200233 NAME PT CONNECTOR ASSEMBLY, ENHANCED PERFORMANCE, 30 POSITION XFP, RTANG, 0.8MM PITCH SIZE CAGE CODE DRAWING NO RESTRICTED TO A 100779 C=1367500 SCALE 10:1 SHEET 3 OF 3 REV K	
-----------------------	--	---	--	---	--	---	--