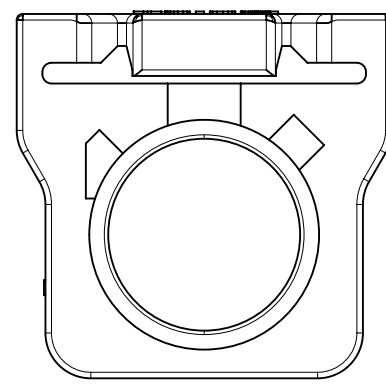
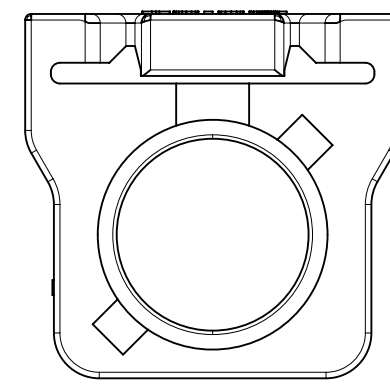


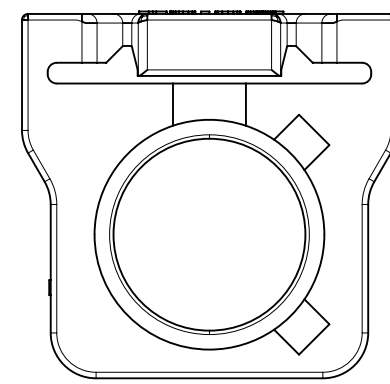
CODE A



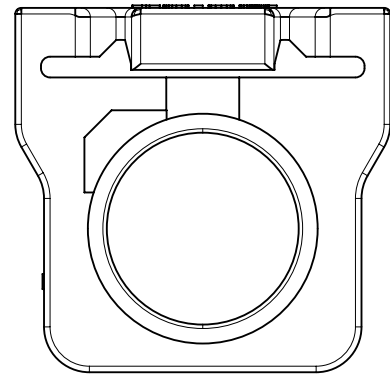
CODE B



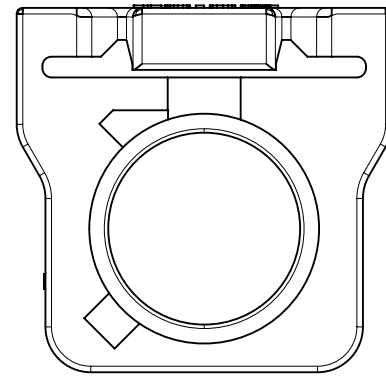
CODE C



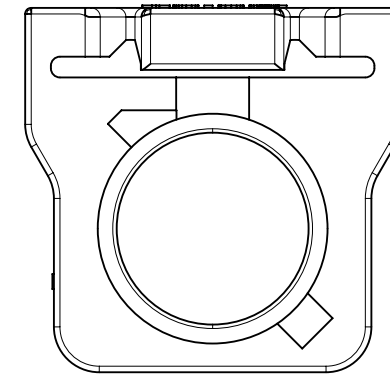
CODE D



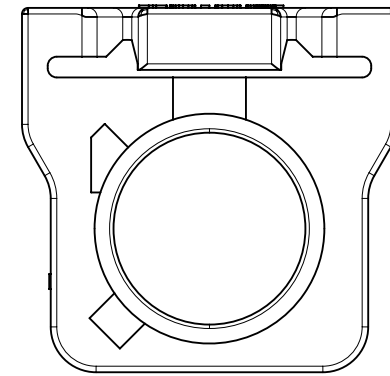
CODE E



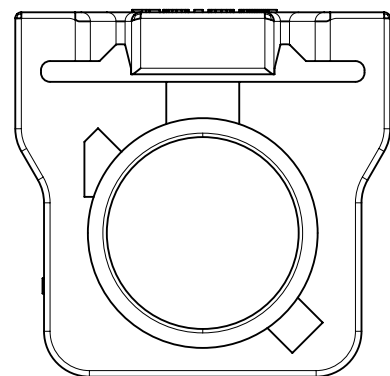
CODE F



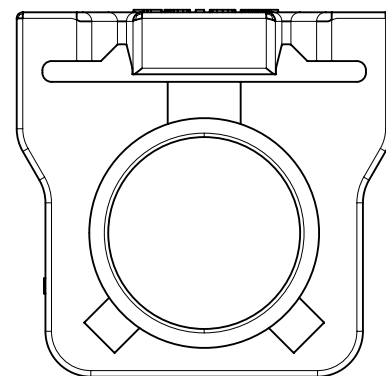
CODE G



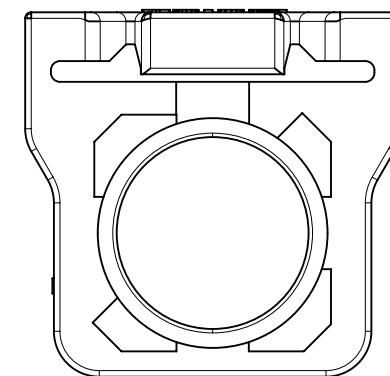
CODE H



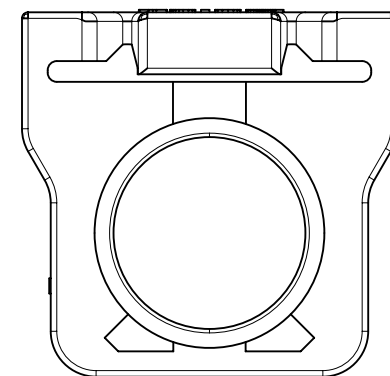
CODE I



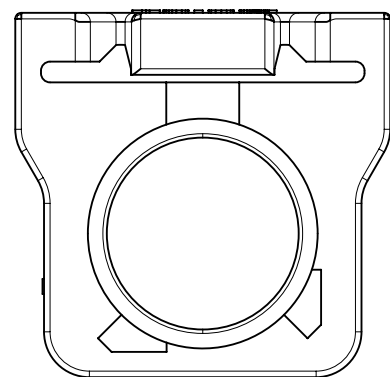
CODE K



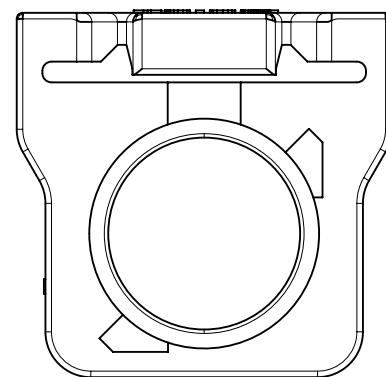
CODE Z



CODE L



CODE M



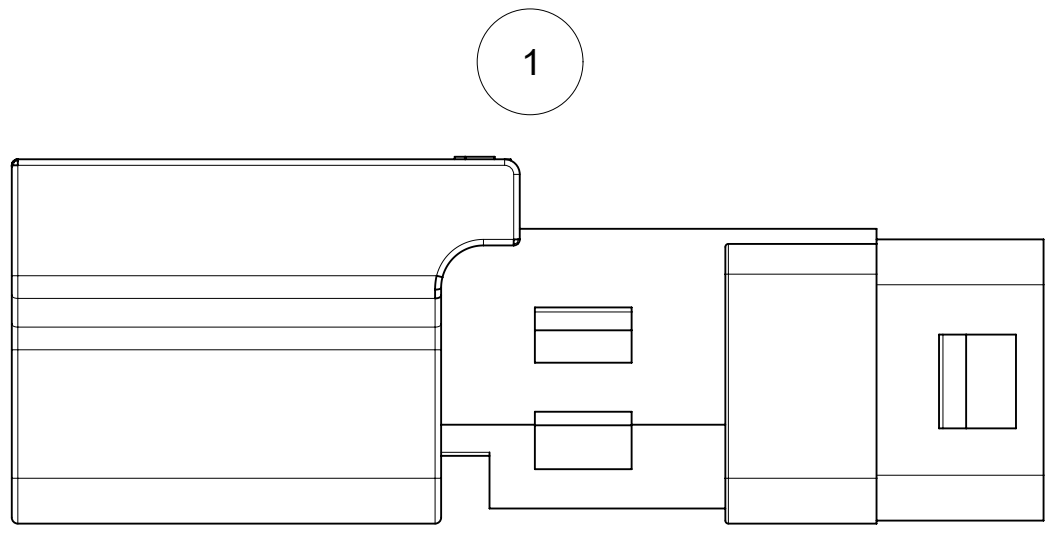
CODE N

89558-9183	N	PASTEL GREEN
89558-9182	M	PASTEL ORANGE
89558-9181	L	CARMINE RED
89558-9180	Z	WATER BLUE
89558-9179	K	CURRY YELLOW
89558-9178	I	BEIGE
89558-9177	H	VIOLET
89558-9176	G	GRAY
89558-9175	F	BROWN
89558-9174	E	GREEN
89558-9173	D	BORDEAUX VIOLET
89558-9172	C	BLUE
89558-9171	B	CREAM WHITE
89558-9170	A	BLACK
SHROUD NO.	KEY CODE	COLOR

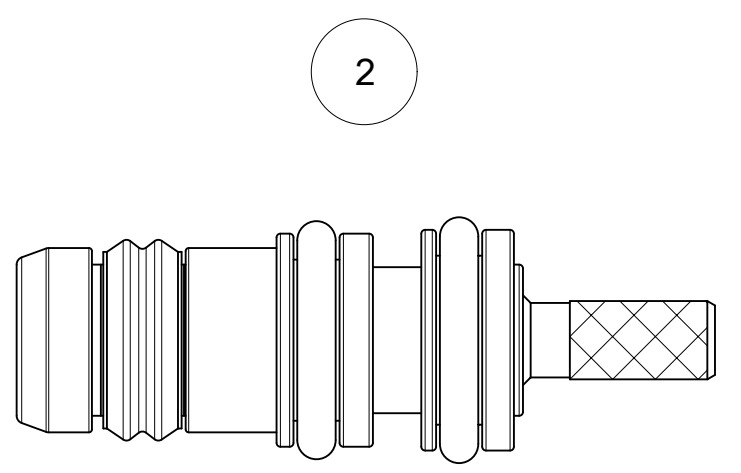
THIS DRAWING CONTAINS INFORMATION THAT IS PROPRIETARY TO MOLEX ELECTRONIC TECHNOLOGIES, LLC AND SHOULD NOT BE USED WITHOUT WRITTEN PERMISSION

QUALITY SYMBOLS <tr> <td></td> <td>MM</td> <td>INCH</td> </tr> <tr> <td>4 PLACES</td> <td>±</td> <td>±</td> </tr> <tr> <td>3 PLACES</td> <td>±</td> <td>± 0.005</td> </tr> <tr> <td>2 PLACES</td> <td>± 0.13</td> <td>± 0.01</td> </tr> <tr> <td>1 PLACES</td> <td>± 0.25</td> <td>±</td> </tr> <tr> <td>0 PLACES</td> <td>±</td> <td>±</td> </tr>		MM	INCH	4 PLACES	±	±	3 PLACES	±	± 0.005	2 PLACES	± 0.13	± 0.01	1 PLACES	± 0.25	±	0 PLACES	±	±
		MM	INCH															
4 PLACES	±	±																
3 PLACES	±	± 0.005																
2 PLACES	± 0.13	± 0.01																
1 PLACES	± 0.25	±																
0 PLACES	±	±																

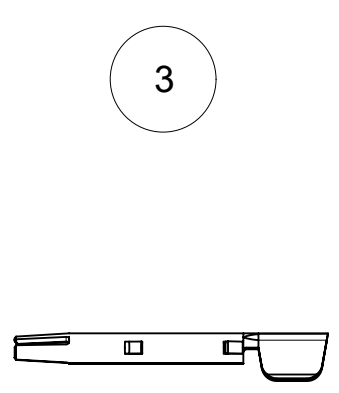
 DIMENSION UNITS **METRIC** **SCALE** **NTS** **DRWN BY** AROBERTSON **DATE** 2014/11/17 **CHK'D BY** SSS **DATE** 2014/11/17 **APPR BY** AROBERTSON **DATE** 2015/04/24 **DRAWING SIZE** C **THIRD ANGLE PROJECTION** | **FAKRA PLUG SEALED FOR RG174 FAKRA-PC, EWR-10016** **PRODUCT CUSTOMER DRAWING** | | | | |--------|-----------------|----------| | SERIES | MATERIAL NUMBER | CUSTOMER | | 73403 | SEE TABLE | | || **RELEASE STATUS** P1 **RELEASE DATE** 21.09.2017 20:44:21 **EC NO:** 122054 **DRWN:** BSHAH **CHKD:** AROBERTSON **REV / APPR:** AROBERTSON **D1** | **ANGULAR TOL** = 2.0 **DRAFT WHERE APPLICABLE MUST REMAIN WITHIN DIMENSIONS** | **DOCUMENT NUMBER** SD-73403-037 **DOC TYPE** PSD **DOC PART** 001 **SHEET NUMBER** 2 OF 4 |



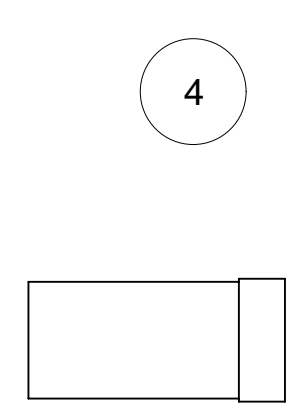
SHROUD



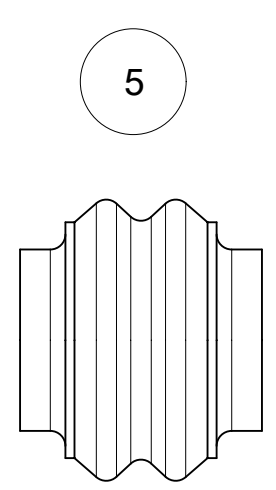
SMB SUB-ASSEMBLY



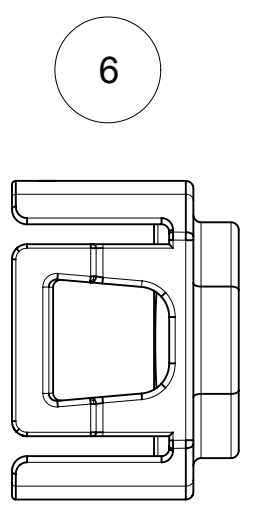
CONTACT
(SHOWN LOOSE
COMES ON T&R)



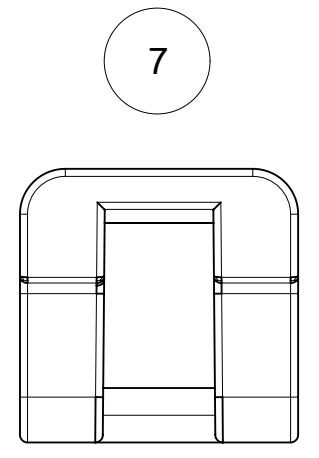
CRIMP TUBE



CABLE SEAL



END CAP



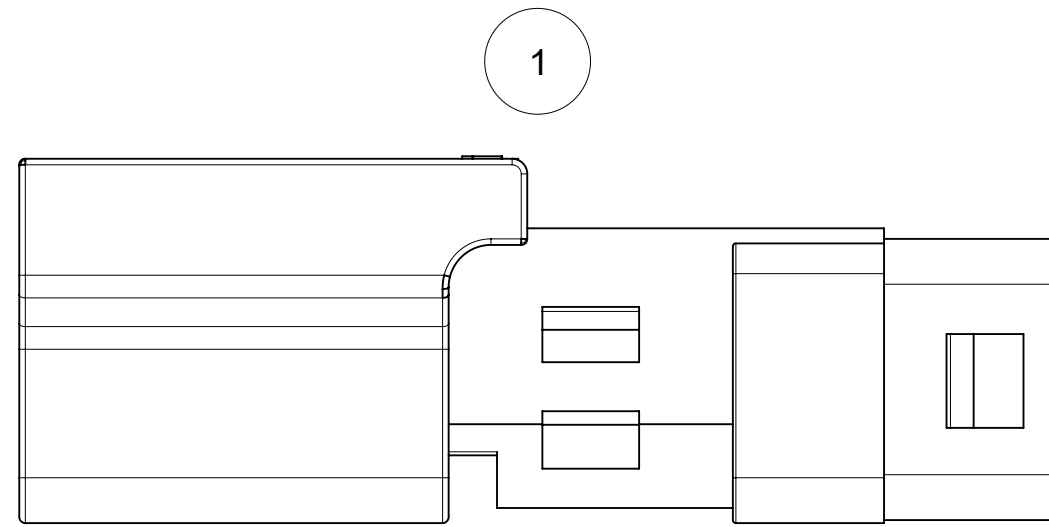
ISL NO CLIP SLOT

NOTES:

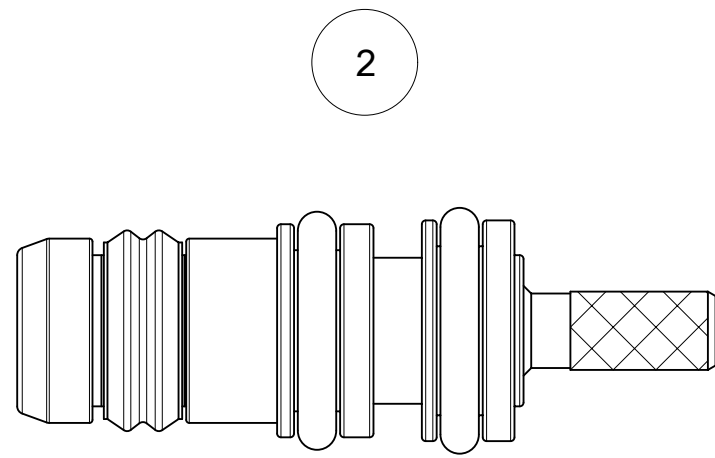
- 1. ITEM 2 TO BE TRAY PACKED.
- 2. ALL ITEMS MAY BE BAGGED INDIVIDUALLY TOGETHER WHEN SOLD AS 73403-0XXX ASSEMBLY NUMBER.
- 3. ITEMS 1/3/4/5/6/7 MAY BE INDIVIDUALLY BULK PACKED. BULK PACKAGE QUANTITIES MUST NOT INDUCE ANY DAMAGE TO PARTS.

73403-0383	N	PASTEL GREEN	89558-9183	73404-3560	89538-0251	89558-8172	89558-8000	89558-9210	89558-8150
73403-0382	M	PASTEL ORANGE	89558-9182	73404-3560	89538-0251	89558-8172	89558-8000	89558-9210	89558-8150
73403-0381	L	CARMINE RED	89558-9181	73404-3560	89538-0251	89558-8172	89558-8000	89558-9210	89558-8150
73403-0380	Z	WATER BLUE	89558-9180	73404-3560	89538-0251	89558-8172	89558-8000	89558-9210	89558-8150
73403-0379	K	CURRY YELLOW	89558-9179	73404-3560	89538-0251	89558-8172	89558-8000	89558-9210	89558-8150
73403-0378	I	BEIGE	89558-9178	73404-3560	89538-0251	89558-8172	89558-8000	89558-9210	89558-8150
73403-0377	H	VIOLET	89558-9177	73404-3560	89538-0251	89558-8172	89558-8000	89558-9210	89558-8150
73403-0376	G	GRAY	89558-9176	73404-3560	89538-0251	89558-8172	89558-8000	89558-9210	89558-8150
73403-0375	F	BROWN	89558-9175	73404-3560	89538-0251	89558-8172	89558-8000	89558-9210	89558-8150
73403-0374	E	GREEN	89558-9174	73404-3560	89538-0251	89558-8172	89558-8000	89558-9210	89558-8150
73403-0373	D	BORDEAUX VIOLET	89558-9173	73404-3560	89538-0251	89558-8172	89558-8000	89558-9210	89558-8150
73403-0372	C	BLUE	89558-9172	73404-3560	89538-0251	89558-8172	89558-8000	89558-9210	89558-8150
73403-0371	B	CREAM WHITE	89558-9171	73404-3560	89538-0251	89558-8172	89558-8000	89558-9210	89558-8150
73403-0370	A	BLACK	89558-9170	73404-3560	89538-0251	89558-8172	89558-8000	89558-9210	89558-8150
PART NO.	KEY CODE	COLOR	ITEM NO. 1	ITEM NO. 2	ITEM NO. 3	ITEM NO. 4	ITEM NO. 5	ITEM NO. 6	ITEM NO. 7
			SHROUD	SMB SUB-ASSY	CONTACT (T&R)	CRIMP TUBE	CABLE SEAL	END CAP	ISL

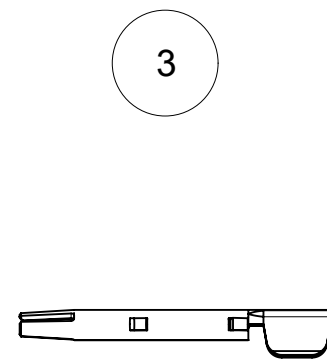
<p>QUALITY SYMBOLS</p> <p>▽ = 0</p> <p>▽ = 0</p> <p>▽ = 0</p> <p>▽ = 0</p> <p>▽ = 0</p> <p>▽ = 0</p> <p>▽ = 0</p> <p>▽ = 0</p> <p>▽ = 0</p>	THIS DRAWING CONTAINS INFORMATION THAT IS PROPRIETARY TO MOLEX ELECTRONIC TECHNOLOGIES, LLC AND SHOULD NOT BE USED WITHOUT WRITTEN PERMISSION		<p>DIMENSION UNITS</p> <p>METRIC NTS</p>		<p>molex</p> <p>FAKRA PLUG SEALED FOR RG174 FAKRA-PC, EWR-10016</p> <p>PRODUCT CUSTOMER DRAWING</p>																			
	<p>GENERAL TOLERANCES (UNLESS SPECIFIED)</p> <table border="1"> <thead> <tr> <th></th> <th>MM</th> <th>INCH</th> </tr> </thead> <tbody> <tr> <td>4 PLACES</td> <td>±</td> <td>±</td> </tr> <tr> <td>3 PLACES</td> <td>±</td> <td>± 0.005</td> </tr> <tr> <td>2 PLACES</td> <td>± 0.13</td> <td>± 0.01</td> </tr> <tr> <td>1 PLACES</td> <td>± 0.25</td> <td>±</td> </tr> <tr> <td>0 PLACES</td> <td>±</td> <td>±</td> </tr> </tbody> </table>			MM		INCH	4 PLACES	±	±	3 PLACES	±	± 0.005	2 PLACES	± 0.13	± 0.01	1 PLACES	± 0.25	±	0 PLACES	±	±	<p>DRWN BY DATE</p> <p>AROBERTSON 2014/11/17</p>		<p>73403 SEE TABLE</p>
		MM	INCH																					
	4 PLACES	±	±																					
	3 PLACES	±	± 0.005																					
	2 PLACES	± 0.13	± 0.01																					
	1 PLACES	± 0.25	±																					
	0 PLACES	±	±																					
	<p>ANGULAR TOL = 2.0</p>		<p>CHK'D BY DATE</p> <p>SSS 2014/11/17</p>																					
	<p>DRAFT WHERE APPLICABLE MUST REMAIN WITHIN DIMENSIONS</p>		<p>APPR BY DATE</p> <p>AROBERTSON 2015/04/24</p>																					
<p>D1</p>		<p>DRAWING SIZE THIRD ANGLE PROJECTION</p> <p>C </p>																						
<p>RELEASE STATUS P1 RELEASE DATE 21.09.2017 20:44:21</p>		<p>SERIES MATERIAL NUMBER CUSTOMER</p> <p>73403 SEE TABLE</p>																						
<p>12 11 10 9 8 7 6 5 4 3 2 1</p>		<p>DOCUMENT NUMBER DOC TYPE DOC PART SHEET NUMBER</p> <p>SD-73403-037 PSD 001 3 OF 4</p>																						



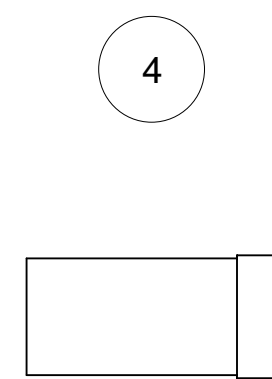
SHROUD



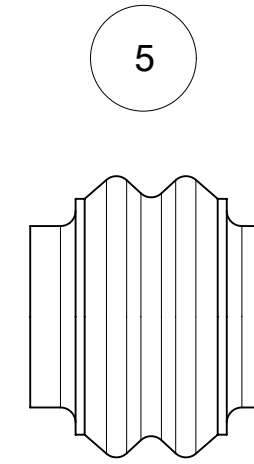
SMB PLUG SUB-ASSEMBLY



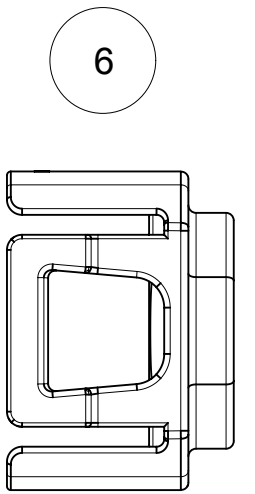
CONTACT
(SHOWN LOOSE
COMES ON T&R)



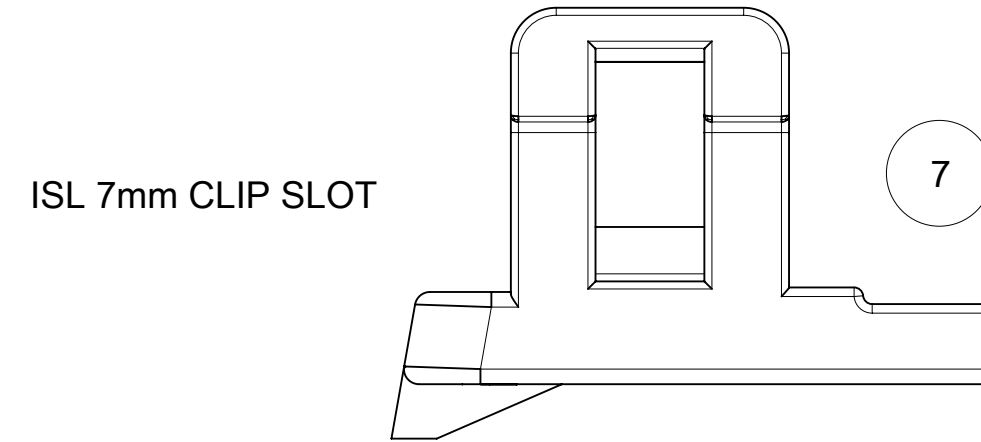
CRIMP TUBE



CABLE SEAL



END CAP



ISL 7mm CLIP SLOT

- NOTES:
1. ITEM 2 TO BE TRAY PACKED.
 2. ALL ITEMS MAY BE BAGGED INDIVIDUALLY TOGETHER WHEN SOLD AS 73403-0XXX ASSEMBLY NUMBER.
 3. ITEMS 1/3/4/5/6/7 MAY BE INDIVIDUALLY BULK PACKED. BULK PACKAGE QUANTITIES MUST NOT INDUCE ANY DAMAGE TO PARTS.

73403-0423	N	PASTEL GREEN	89558-9183	73404-3560	89538-0251	89558-8172	89558-8000	89558-9210	89558-8140
73403-0422	M	PASTEL ORANGE	89558-9182	73404-3560	89538-0251	89558-8172	89558-8000	89558-9210	89558-8140
73403-0421	L	CARMINE RED	89558-9181	73404-3560	89538-0251	89558-8172	89558-8000	89558-9210	89558-8140
73403-0420	Z	WATER BLUE	89558-9180	73404-3560	89538-0251	89558-8172	89558-8000	89558-9210	89558-8140
73403-0419	K	CURRY YELLOW	89558-9179	73404-3560	89538-0251	89558-8172	89558-8000	89558-9210	89558-8140
73403-0418	I	BEIGE	89558-9178	73404-3560	89538-0251	89558-8172	89558-8000	89558-9210	89558-8140
73403-0417	H	VIOLET	89558-9177	73404-3560	89538-0251	89558-8172	89558-8000	89558-9210	89558-8140
73403-0416	G	GRAY	89558-9176	73404-3560	89538-0251	89558-8172	89558-8000	89558-9210	89558-8140
73403-0415	F	BROWN	89558-9175	73404-3560	89538-0251	89558-8172	89558-8000	89558-9210	89558-8140
73403-0414	E	GREEN	89558-9174	73404-3560	89538-0251	89558-8172	89558-8000	89558-9210	89558-8140
73403-0413	D	BORDEAUX VIOLET	89558-9173	73404-3560	89538-0251	89558-8172	89558-8000	89558-9210	89558-8140
73403-0412	C	BLUE	89558-9172	73404-3560	89538-0251	89558-8172	89558-8000	89558-9210	89558-8140
73403-0411	B	CREAM WHITE	89558-9171	73404-3560	89538-0251	89558-8172	89558-8000	89558-9210	89558-8140
73403-0410	A	BLACK	89558-9170	73404-3560	89538-0251	89558-8172	89558-8000	89558-9210	89558-8140
PART NO.	KEY CODE	COLOR	ITEM NO. 1	ITEM NO. 2	ITEM NO. 3	ITEM NO. 4	ITEM NO. 5	ITEM NO. 6	ITEM NO. 7
			SHROUD	SMB SUB-ASSY	CONTACT (T&R)	CRIMP TUBE	CABLE SEAL	END CAP	ISL 7mm CS

QUALITY SYMBOLS ▽ = 0 ▽ = 0 ▽ = 0 ▽ = 0 ▽ = 0 ▽ = 0 ▽ = 0 ▽ = 0 ▽ = 0 ▽ = 0	THIS DRAWING CONTAINS INFORMATION THAT IS PROPRIETARY TO MOLEX ELECTRONIC TECHNOLOGIES, LLC AND SHOULD NOT BE USED WITHOUT WRITTEN PERMISSION 2017/09/07 2017/09/21 MIGRATED EC NO: 122054 DRWN: BSHAH CHKD: REV / APPR: AROBERTSON	GENERAL TOLERANCES (UNLESS SPECIFIED) METRIC NTS DRWN BY DATE AROBERTSON 2014/11/17		molex FAKRA PLUG SEALED FOR RG174 FAKRA-PC, EWR-10016 PRODUCT CUSTOMER DRAWING
		4 PLACES ± ± 3 PLACES ± ± 0.005 2 PLACES ± 0.13 ± 0.01 1 PLACES ± 0.25 ± 0 PLACES ± ±	CHK'D BY DATE SSS 2014/11/17	
ANGULAR TOL = 2.0 DRAFT WHERE APPLICABLE MUST REMAIN WITHIN DIMENSIONS		DRAWING SIZE THIRD ANGLE PROJECTION C	DOCUMENT NUMBER DOC TYPE DOC PART SHEET NUMBER SD-73403-037 PSD 001 4 OF 4	