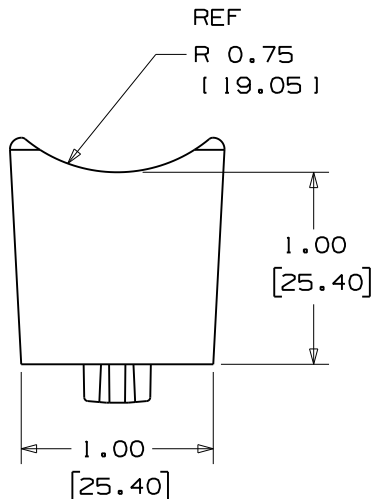
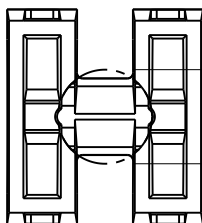
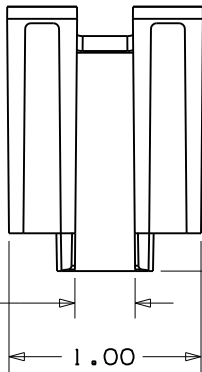
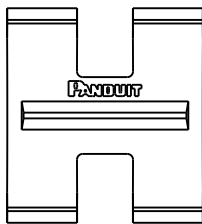
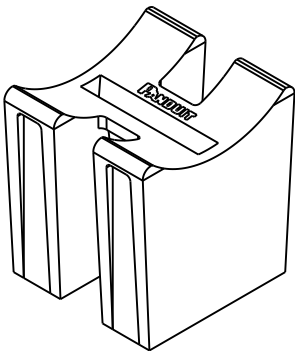


THIS COPY IS PROVIDED ON A RESTRICTED BASIS AND IS NOT TO BE USED IN ANY WAY DETRIMENTAL TO THE INTERESTS OF PANDUIT CORP.



PANDUIT PART NUMBER*	WEIGHT	
	lbs/100 pcs	(g)/100 pcs
TMSH50	2.06	(937)



NOTES:

- *1. SEE CURRENT PRICE SHEET FOR PART NUMBER SUFFIX DESIGNATION FOR PACKAGE SIZE.

DIMENSIONS IN BRACKETS ARE METRIC [mm]	
CAD FILENAME/LAYERS G00239CQ_PB_TMSH50_A_04.PRT	
TMSH50 FRAME MOUNTED SHOULDERED STANDOFF	
UNLESS OTHERWISE SPECIFIED, DIMENSIONAL TOLERANCES ARE: (.X) ±0.05 (1.3) (.XXX) ±0.010 (0.25) (.XX) ±0.02 (0.5) ANGLES ± 5°	UNLESS OTHERWISE SPECIFIED, ALL DIMENSIONS ARE GIVEN IN INCHES, THIRD ANGLE PROJECTION.
DRAWN BY GDH	MAT'L: HEAT STABILIZED WEATHER RESISTANT NYLON 6/6, COLOR BLACK
DATE 07/25/95	SCALE FULL
CHK'D	DRAWING NO. GB0239CQ
	DWG SIZE A

REV	DATE	BY	CHK	DESCRIPTION	ECN	R	CUST	SUP
4	6-27/01	LGG		UPDATED AND ADDED REF	GB0239CQ	4		
3	07/26/00	GDH		1) DIM .310 MIN WAS .310. 2) MATERIAL WAS POLYPROPYLENE, GLASS FILLED 3) WEIGHT WAS 2.03/(924)	GB0239CQ	3		
2	04/18/96	GDH		REVISED TO REFLECT NEW PART GEOMETRY	GB0239CQ	2		
1	07/25/95	GDH		REVISED PART GEOMETRY AND WEIGHT	GB0239CQ	1		
R	03/28/95	GDH		INITIAL RELEASE	GB0239CQ	R		