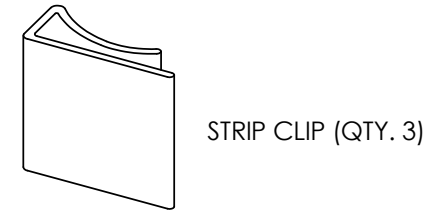
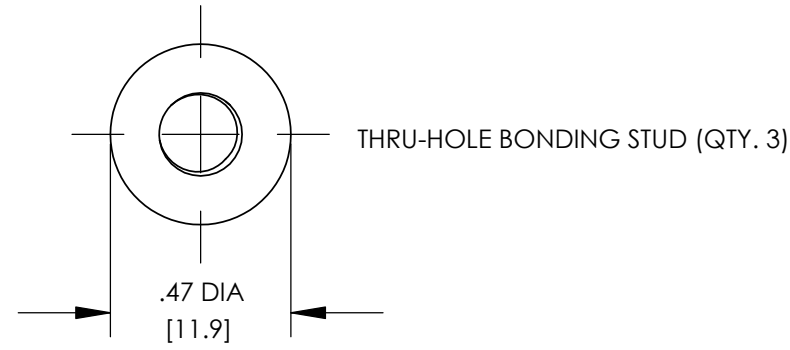
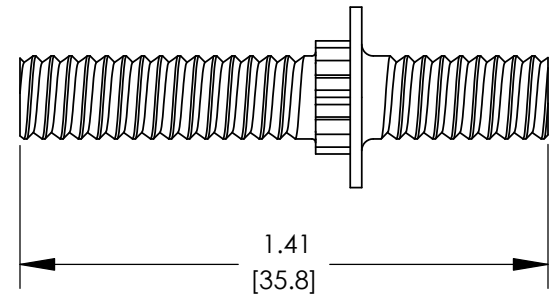


THIS COPY IS PROVIDED ON A RESTRICTED BASIS AND IS NOT TO BE USED IN ANY WAY DETRIMENTAL TO THE INTERESTS OF PANDUIT CORP.



STRIP CLIP (QTY. 3)

NOTES:

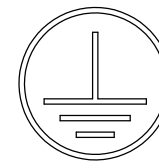
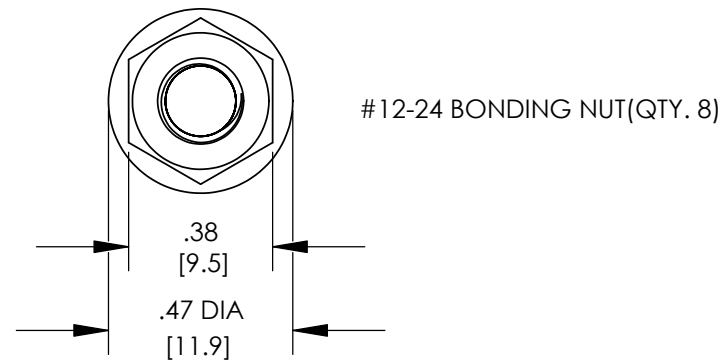
1. THRU-HOLE GROUNDING KIT  
PART NUMBER: RGS134C-1
2. PACKAGING: 1 KIT PER BOX
3. ALL COMPONENTS THAT MAKE UP THIS  
KIT ARE RoHS COMPLIANT.
4. DIMENSIONS IN PARENTHESIS ARE  
MILLIMETERS.



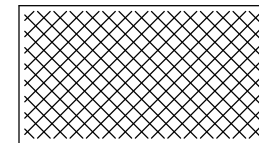
LISTED  
GROUNDING AND BONDING EQUIPMENT



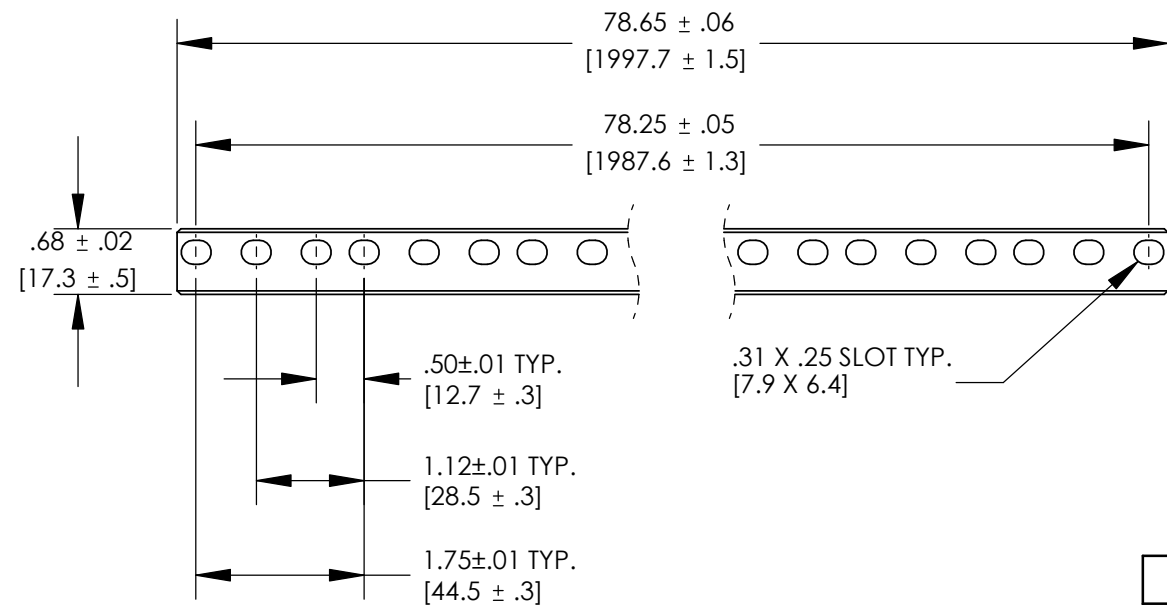
CERTIFIED



UNIVERSAL GROUNDING STICKER (QTY. 1)



CLEANING PAD (QTY. 1)



GROUNDING STRIP (QTY. 1)  
45 RU (EIA SPACING)



5cc TUBE ANTI-OXIDANT PASTE (QTY. 1)

C41703\_01

**PANDUIT CORP.** TINLEY PARK, ILLINOIS

THRU-HOLE GROUNDING KIT  
(RGS134C-1)  
CUSTOMER DRAWING

UNLESS OTHERWISE SPECIFIED  
DIMENSIONAL TOLERANCES ARE:  
(.X) ±            (.XXX) ±  
(.XX) ±         ANGLES ±

UNLESS OTHERWISE SPECIFIED,  
ALL DIMENSIONS ARE GIVEN IN  
INCHES, THIRD ANGLE PROJECTION

01	3/07	JHNU	JMAR	REVISED NOTE 1: THRU-HOLE WAS CAGE NUT	PC00657					DRAWN BY JHNU	MAT'L:	SCALE NONE
00	3/07	JHNU	JMAR	DRAWING RELEASED	PC00681					DATE 3/07		DRAWING NO / CAD FILE C41703
REV	DATE	BY	CHK	DESCRIPTION	ECN	PM	CUST	CHK'D				DWG B SIZE