


Bus system T-connector - SAC-5P-MINT/2XMIN DN - 1401029

Please be informed that the data shown in this PDF Document is generated from our Online Catalog. Please find the complete data in the user's documentation. Our General Terms of Use for Downloads are valid (<http://download.phoenixcontact.com>)



Bus system T-distributor, 5-pos., DeviceNet, 7/8"-16UNF socket to 7/8"-16UNF socket and 7/8"-16UNF connector

Key commercial data

| | |
|------------------------|--|
| Packing unit | 0 |
| Minimum order quantity | 1 |
| Catalog page | Page 406 (PC-2011) |
| GTIN |  4 046356 542616 |
| Custom tariff number | 85444290 |
| Country of origin | GERMANY |

Technical data

General data

| | |
|---------------------------------|--|
| Number of positions | 5 |
| Volume resistance | ≤ 5 mΩ |
| Insulation resistance | ≥ 10 MΩ |
| Ambient temperature (operation) | -25 °C ... 90 °C (Male connector / female connector) |

General characteristics

| | |
|--------------------------|------------------------------|
| Surge voltage category | II |
| Pollution degree | 3 |
| Degree of protection | IP67 |
| Contact material | CuZn |
| Contact surface material | AU |
| Contact carrier material | PA 66 |
| Material of grip body | TPU |
| Material, knurls | Zinc die-cast, nickel-plated |

Conductor data

Bus system T-connector - SAC-5P-MINT/2XMIN DN - 1401029

Classifications

eclass

| | |
|------------|----------|
| eCl@ss 4.0 | 27060306 |
| eCl@ss 4.1 | 27060306 |
| eCl@ss 5.0 | 27061801 |
| eCl@ss 5.1 | 27061801 |
| eCl@ss 6.0 | 19070402 |
| eCl@ss 7.0 | 19070402 |

etim

| | |
|----------|----------|
| ETIM 2.0 | EC000830 |
| ETIM 3.0 | EC001855 |
| ETIM 4.0 | EC000421 |

unspsc

| | |
|---------------|----------|
| UNSPSC 6.01 | 31251501 |
| UNSPSC 7.0901 | 31251501 |
| UNSPSC 11 | 31251501 |
| UNSPSC 12.01 | 31251501 |
| UNSPSC 13.2 | 31251501 |

Accessories

Accessories

Marking

Zack Marker strip, flat - ZBF 17:UNBEDRUCKT - 0815020



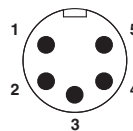
Zack Marker strip, flat, Strip, white, Unlabeled, Can be labeled with: Plotter, Mounting type: Snap into flat marker groove, For terminal block width: 17 mm, Lettering field: 17 x 5.2 mm

Drawings

Dimensioned drawing

T-distributor 7/8", lateral view

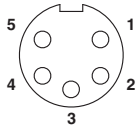
Schematic diagram



Pin assignment, plug, 7/8"-16UNF, 5-pos., view of male side

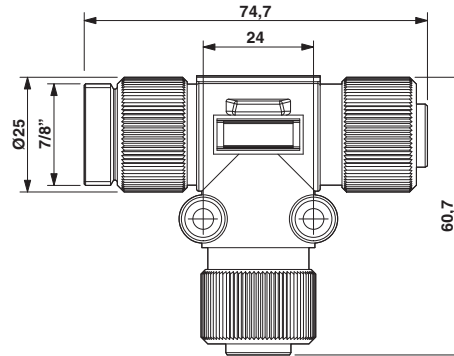
Bus system T-connector - SAC-5P-MINT/2XMIN DN - 1401029

Schematic diagram



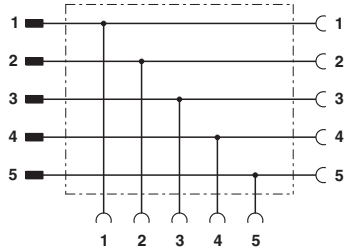
Pin assignment, socket, 7/8"-16UNF, 5-pos., view of female side

Dimensioned drawing



T-distributor 7/8", top view

Circuit diagram



Contact assignment of the 7/8" T-distributor