

4

3

2

1

THIS DRAWING IS UNPUBLISHED.

RELEASED FOR PUBLICATION

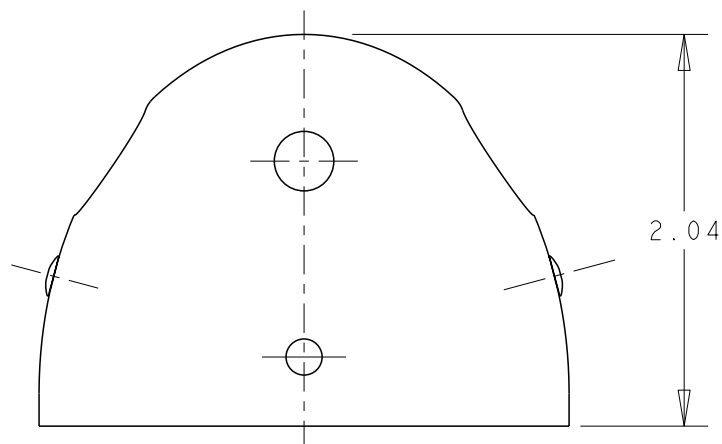
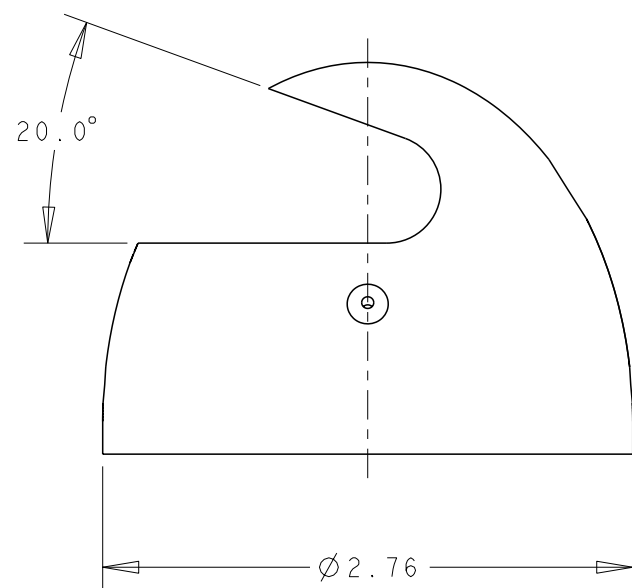
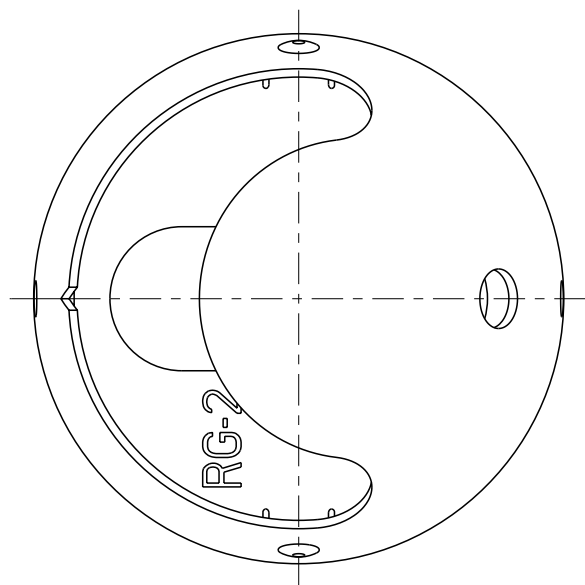
20

© COPYRIGHT 20 BY -

ALL RIGHTS RESERVED.

REVISIONS

P	LTR	DESCRIPTION	DATE	DWN	APVD
	A	REVISED PER ECO-15-015913	04NOV2015	AG	HS



RG-2 SOLDERSLEEVE REFLECTOR	993770-000
DESCRIPTION	PART NO



NAME RG-2 SOLDERSLEEVE REFLECTOR			
-	-	-	-

SIZE A3	CAGE CODE -	DRAWING NO C-IR-500-24	RESTRICTED TO -
------------	----------------	---------------------------	--------------------

THIS DRAWING IS A CONTROLLED DOCUMENT.

DIMENSIONS: INCHES	TOLERANCES UNLESS OTHERWISE SPECIFIED:
	0 PLC ±-
	1 PLC ±-
	2 PLC ±.01
	3 PLC ±.005
	4 PLC ±-
	ANGLES ±-
MATERIAL -	FINISH -

DWN A. GAD	03NOV2015
CHK N. NAGAR	04NOV2015
APVD H. SMITH	04NOV2015
PRODUCT SPEC	-
APPLICATION SPEC	-
WEIGHT	-
CUSTOMER DRAWING	

SCALE 1:1	SHEET 1 OF 1	REV A
--------------	-----------------	----------